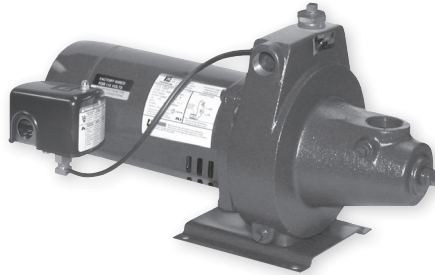




b **BAKER**[®]
WATER SYSTEMS - EST 1873



[®] *Pumps by Baker*



Pump Price List

July 1, 2026



Trade Customs

CONTROLLING PROVISIONS: These terms and conditions supersede all previous terms and conditions and shall control any sale by Baker Manufacturing Co., LLC ("Seller"). No alteration or waiver of these terms and conditions shall be valid unless specifically accepted in writing by an authorized representative of Seller.

PRICES: Billing prices are those in effect at the time the order is shipped. All prices are subject to change without notice. Possession of a price sheet shall not be construed as an offer to sell. Seller reserves the right to reject any order.

TERMS: 2% 10th Prox., Net 25th (A 2% cash discount can be taken if paid via ACH/wire on the 10th of the month following the shipment. The month is defined as the 26th through the 25th. For example, a February 25th invoice is due 2% on March 10th, a February 26th invoice is due 2% April 10th, and all invoices are due net the 11th and considered past due on the 26th of the month. No cash discount is available for check payment). Without open credit terms, payment may be required prior to shipping. A 2% monthly service charge (or the maximum amount permitted by law) may be applied to the balance of any past-due invoice. Buyer shall pay any necessary collection fees, including reasonable attorney fees.

TAXES: Any sales tax, use tax, manufacturer tax, duty, or other cost imposed by any government entity shall, at Seller's option, be added to the purchase price and payable by buyer. Buyer must certify any tax exemption and agree to indemnify Seller against any tax imposed contrary to such certification.

FREIGHT: All prices are F.O.B. Seller's factory, with full freight allowed within the contiguous United States and Canada on the orders that qualify pursuant to the Freight Program schedule. Seller reserves the right to select the carrier and route of shipment and to ship at the most economical rate. All extra charges for special handling or delivery services will be paid for by the buyer. Terms for shipment outside the contiguous United States and Canada shall be established on a case-by-case basis.

"LIMITED WARRANTY Subject to the limitations stated herein, Baker Manufacturing Co., LLC. ("Seller") warrants that pumps and pump accessories manufactured by Seller shall be free from defects in material and workmanship and shall perform the services for which they are intended when properly installed, under normal use, and under ordinary conditions, for a period of two (2) years from the date of manufacture or one (1) year from the date of installation, whichever is earliest. Other warranty periods may apply to certain products noted below. Buyer must notify Seller in writing of a potentially defective product as soon as possible, which notice must provide the serial and model numbers of the product and a description of the potential defect. Upon receipt of such notice, Seller shall, at its option and at its expense, examine such product at Seller's factory or such other location as Seller shall determine. Should Seller agree to a return of the product, buyer shall follow in every respect the packaging and transportation instructions provided by Seller. In no case shall a product be returned without first obtaining the permission of Seller. If a product is proven to the satisfaction of Seller to be defective, then Seller shall, at its option and at its expense, repair or replace such product or reimburse buyer for the price paid by buyer for such product, and credit will be issued to buyer to offset the expense of the return shipment to Seller for shipments within the continental United States. The cost of shipping to buyer a repaired or replaced product shall be paid by Seller on the same shipping terms as the original shipment of such product to buyer. Except as stated herein, buyer shall assume all responsibility and expense for any dismantling, removal, reinstallation, and shipping in connection with this Limited Warranty, and no claims will be allowed for labor, shipping, materials, or other costs incident to the repair, replacement, or return of a product.

THIS LIMITED WARRANTY IS THE ONLY WARRANTY PROVIDED BY SELLER AND IS MADE IN LIEU OF ALL OTHER WARRANTIES, EXPRESS OR IMPLIED, INCLUDING BUT NOT LIMITED TO THE IMPLIED WARRANTIES OF MERCHANTABILITY AND FITNESS FOR A PARTICULAR PURPOSE.

SELLER'S LIABILITY IS LIMITED TO REPAIR, REPLACEMENT, OR REIMBURSEMENT AS PROVIDED ABOVE, AND IN NO EVENT SHALL SELLER'S LIABILITY EXCEED THE PURCHASE PRICE OF THE PRODUCT(S) INVOLVED. THIS LIMITED WARRANTY PROVIDES THE EXCLUSIVE REMEDY AGAINST SELLER FOR CLAIMS RELATING TO PRODUCTS, WHETHER IN CONTRACT, IN TORT (INCLUDING NEGLIGENCE), OR UNDER ANY OTHER LEGAL THEORY, AND WHETHER ARISING OUT OF WARRANTIES, REPRESENTATIONS, INSTRUCTIONS, OR DEFECTS FROM ANY CAUSE. IN NO EVENT SHALL SELLER BE LIABLE FOR OR OBLIGATED TO PAY ANY CONSEQUENTIAL, INCIDENTAL, SPECIAL, INDIRECT, OR PUNITIVE DAMAGES OF ANY KIND.

THIS LIMITED WARRANTY EXTENDS ONLY TO BUYERS WHO PURCHASE SELLER'S PRODUCT(S) DIRECTLY FROM SELLER ("ORIGINAL PURCHASERS"), INCLUDING DISTRIBUTORS, WHOLESALERS, UTILITIES, AND CONTRACTORS. THIS LIMITED WARRANTY IS NOT ASSIGNABLE OR OTHERWISE TRANSFERABLE BY THE ORIGINAL PURCHASER TO ANY OTHER PARTY. SELLER EXTENDS NO WARRANTY, EXPRESS OR IMPLIED, INCLUDING BUT NOT LIMITED TO THE IMPLIED WARRANTIES OF MERCHANTABILITY AND FITNESS FOR A PARTICULAR PURPOSE, TO "CONSUMERS," AS THAT TERM IS DEFINED IN THE MAGNUSON-MOSS WARRANTY ACT (15 U.S.C. SECTIONS 2301 ET SEQ.) AND THE REGULATIONS PROMULGATED THEREUNDER. IN NO EVENT SHALL THE DURATION OF ANY IMPLIED WARRANTY OF MERCHANTABILITY OR FITNESS FOR A PARTICULAR PURPOSE BE LONGER THAN THE PERIOD PRESCRIBED HEREIN.

corrosion due to aggressive waters, storm, fire, wind, accident, or similar casualty, or improper electrical supply; due to a defect in the design, engineering, or installation of any water or other system; where the product has been modified without the prior written authority of Seller; caused by the failure to install or use the product in conformity with any instructions or specifications provided by Seller; caused by the improper installation, use, application, maintenance, repair, transportation, handling, or storage of the product; caused by the fault or negligence of anyone other than Seller or any other act or event beyond the control of Seller. Seller makes no warranties as to any products or product parts or components that are not manufactured by Seller, and such items (including the motors, tanks, air volume controls, and pressure switches that may be a part of the pump system) may be warranted only to the extent of the original manufacturer's warranty, if any. The limitations of liability contained in this Limited Warranty shall be effective without regard to Seller's performance or failure or delay of performance under any other term or condition of any trade customs, warranty, or other agreement. No employee, representative, or agent of Seller, nor any other person, has authority to assume or incur on behalf of Seller any liability, obligation, or responsibility in place of or in addition to this Limited Warranty."

The following warranty periods apply to the products noted below and are the only variations to the above standard Limited Warranty:

Two (2) years from date of installation applies to Battery Backup Sump Pump model # 5000PVPBU, Thermal Expansion Tank model(s) # 16002-V#MT and 16005-V#MT, and Hydronic Tank model(s) # 16002-V2H and 16005-V2MH.

Three (3) years from date of installation applies to model(s) # 17035R020PC1, 17052R020PC1, 17070R020PC1, 17040C035PC2, 17062C035PC2, 17078C035PC2, 17080V022C-1, and 17080V037C-2 Booster Pumps; 5020PUUP, 5025PTSP, 5025PVSP, 5033PVSP, 5033PVDP Sump Pumps; 5033CUEF, 5033CTEF25, 5050CUEF, 5050CTEF, 5050CTEF25, 5050CVSJ, 5050CTSJ25, 5050CTSJ, 5050CUEF, 5050CUSI, 5050CUEF25, 5050CUSJ15, 5050CTSJ15, 5050CVSJ15, 5040CUEFH25, 5040CTEFH25, 5050CUEFH25, 5050CTEFH25 Effluent/Sewage Pumps; and 5050CTSJPAC, 5050CTSJPACSL, 5025PTSPCWB, 5050CTSJPAC24, 5050CTSJPACSDA Package Systems.

Three (3) years from date of manufacture applies to Baker Manufacturing Co., LLC. Submersible motors, including assembled submersible pumps up to 80 gallon per minute pump ends.

Five (5) years from date of installation applies to model(s) # 5030CVSP, 5030CUPSP, 5030CUPSP25, 5030CTSP, 5033CVSP, 5033CUPSP, 5033CUPSP25, 5050CVSP, 5050CUPSP25, 5033CVSPSEZ, 5050CVPD Sump Pumps; 5030CVSPK, 5030CVSPCK Package Systems; 5030CVSPBUSS, 5033CVSPBUSS Side x Side Sumps; 16002-V3M, 16005-V3M, 16006-V3M, 16005PH4M, 16010PH4M, 16016PH4M, 16021PH4M, 16026PH4M, 16016PV4F, 16021PV4F, 16034PV5F, 16042PV5F, 16053PV5F, 16062PV5F, 16081PV5F, 16086MV5F, and 16119MV5F Potable Water Pressure Tanks.

Five (5) years from date of manufacture applies to Baker Manufacturing Co., LLC. Submersible motors, including assembled submersible pumps up to 25 gallon per minute pump ends. In potable applications.

CLAIMS: Inspect all shipments immediately upon receipt, examining products for damage and verifying quantity. Any claim of damage, shortage, or non-conformance must be made in writing within 5 business days of receipt of goods (any claim of damage or shortage must be noted on the Freight Carrier's signed delivery receipt).

ORDERS: Seller is not responsible for and shall not be held liable for damages resulting from delays or failures in shipment, nor shall Seller be liable for any delay or failure to provide goods where occasioned by any force majeure event, including without limitation: strikes and other labor disputes; fires; acts of God; floods, snowstorms, tornados, and other storms; unusually severe inclement weather conditions; fuel, energy, carrier, or material shortages or embargoes; war; terrorism; civil disturbances; acts of civil or military authority; court order or decree; partial or complete destruction of factory or other facility; acts of buyer; inability to obtain or retain fuel, energy, carriers, materials, facilities, or labor without litigation or the payment of penalties or unreasonable prices or the acceptance of unreasonable terms and conditions; and any other cause beyond Seller's control.

RETURNS: Goods cannot be returned without the prior written approval of Seller. Return freight must be prepaid by buyer. After inspecting the returned goods, Seller may impose upon buyer: (1) a handling and restocking charge equal to a minimum of 25% of the invoiced cost of the returned goods; and, in addition thereto, (2) any costs required to put the goods in like-new condition. All credit memos are subject to cash discount terms as defined in our standard terms.

CANCELLATION: The contract resulting from Seller's acceptance of Buyer's order cannot be cancelled, terminated, or modified by Buyer, in whole or in part, except upon Seller's prior written approval.

INVOICING: Minimum invoice charge of \$50.00 (does not apply to Plumbing Products).

NON-STOCK PRODUCTS: Non-stock products (i.e., customized or non-standard products) may require a minimum order and buyer should make prior inquiry to Seller. Once production has begun, orders for non-stock products cannot be cancelled without the prior written approval of Seller. Seller will not accept the return of non-stock products.

CONSTRUCTION: All sales, contracts, and offers to buy or sell, all rights, remedies and duties of all persons, and the construction and effect of all provisions hereof, shall be governed by and construed according to the laws of the State of Iowa.

This Limited Warranty shall not apply to product failure or defect: caused by sand or abrasive materials in water.



WARNING: It is unlawful in CALIFORNIA & VERMONT (effective 1/1/2010); MARYLAND (effective 1/1/2012); LOUISIANA (effective 1/1/2013) and the UNITED STATES OF AMERICA (effective 1/4/2014) to use any product in the installation or repair of any public water system or any plumbing in a facility or system that provides water for human consumption if the wetted surface area of the product has a weighted average lead content greater than 0.25%. This prohibition does not extend to service saddles used in California, Louisiana or under USA Public Law 111-380. **WARNING:** This product can expose you to chemicals including lead, which is known to the State of CALIFORNIA to cause cancer and birth defects or other reproductive harm. For more information go to: WWW.P65Warnings.ca.gov.

Table of Contents

| SECTION | PAGE |
|--|--------------|
| CUSTOMS & FREIGHT | 3 |
| Trade Customs | 3 |
| Return Goods..... | 3 |
| Limited Warranty..... | 3 |
| No-Lead Warning..... | 3 |
| 4" SUBMERSIBLE PUMPS | 5-18 |
| 21000 Series - Silicon Bronze..... | 5-7 |
| Cistern Pump | 7 |
| 22000 Series - Thermoplastic | 8 |
| 23000 Series - Stainless Steel | 9-10 |
| 24000 Series - 5 - 80 GPM | 11-14 |
| 25000 Series - Thermoplastic | 15-16 |
| 26000 Series - All Stainless Steel | 17-18 |
| 4" MOTORS & CONTROLS | 19-26 |
| 4" Baker Submersible Motors | 19 |
| Baker Control Boxes | 19 |
| AutoDRIVE VFDs | 20 |
| Starter Kits & Pumpteck..... | 20 |
| AutoPAC | 21-26 |
| 6", 8" & 10" PUMP ENDS | 27-28 |
| 6", 8" & 10" Stainless Steel Pump Ends..... | 27-28 |
| 6", 8", 7" & 10" MOTORS & CONTROLS | 29-30 |
| 6", 8", 7", & 10" Baker Submersible Motors | 29 |
| Baker Control Boxes & Starter Kits | 29-30 |
| PUMP TANKS | 30 |
| Diaphragm Tanks | 30 |
| Hydronic & Thermal Expansion Tanks..... | 30 |
| JET PUMPS | 31-33 |
| Shallow Well, Convertible, Multi-Stage..... | 31 |
| Ejectors Packages & Casing Adapters & Flanges..... | 32-33 |
| DURAMAC™ BOOSTER PUMPS | 34-36 |
| DuraMAC™ Variable Speed Boosters | 34-35 |
| VS BOOSTER | 37 |
| VS Booster..... | 37 |
| CENTRIFUGAL PUMPS | 38-39 |
| 27000 Super Booster..... | 38 |
| 92000/93000 Series - Workhorse | 39 |
| 84000, 8600SW Series | 39 |
| 1500XSW Series | 39 |
| 89000 E-Series..... | 39 |
| SUMP, SEWAGE, EFFLUENT, & GRINDER PUMPS | 40-43 |
| DuraMAC™ Sump | 40 |
| DuraMAC™ Utility Pump..... | 40 |
| DuraMAC™ Pedestal Pump..... | 40 |
| DuraMAC™ Sewage Pumps | 41 |
| DuraMAC™ Effluent Pumps | 41 |
| Guardian Pump..... | 42 |
| Thermoplastic High Head Effluent..... | 42 |
| Effluent Pumps..... | 43 |
| Sewage Pumps..... | 43 |

| SECTION | PAGE |
|---|--------------|
| Grinder Pumps | 43 |
| DEWATERING PUMPS | 43 |
| Mini Mac Transfer Pump..... | 43 |
| Handymac | 43 |
| PUMP ACCESSORIES | 44-47 |
| Lead & Accessories | 44 |
| Submersible & Effluents Leads | 44 |
| Silicon Bronze Foot Valves | 44 |
| Switches..... | 45 |
| Motor & Discharger Adapter | 46 |
| Mechanical Pump Float Switches..... | 47 |
| DuraMAC™ Sump / Sewage / Effluent Accessories | 47 |
| PUMP REPAIR PARTS | 48-61 |
| AutoDRIVE Repair Parts..... | 48 |
| Motor Control Components..... | 48 |
| 303022SP Repair Parts | 49 |
| 8100/8200 Series | 50 |
| 8000/8300 E-Series | 51 |
| 8500/8600 Series | 52 |
| 1000/1500 Series | 53-54 |
| 92000/93000 Series..... | 55 |
| Superbooster Motors..... | 55 |
| 84000 Series | 56 |
| 89000 E-Series..... | 57 |
| Guardian Repair Parts..... | 57 |
| DuraMAC™ Booster Repair Parts..... | 58-61 |
| Dewatering Repair Parts | 61 |
| FACTORY TOOLING - NOT A SELLABLE PRODUCT | 63 |
| Internal assembly component | 64 |
| Internal hardware - do not publish..... | 65 |
| Jet Pumps..... | 66 |
| Parts lookup / Service catalog..... | 67-69 |
| Submersible Well Pumps..... | 70-77 |

21000 Series - 4" No-Lead Brass Submersible Pumps

21

Series

- 21 - Domestic No-Lead Brass
- 22 - Domestic Thermoplastic
- 23 - Domestic Stainless Steel
- 24 - Stainless Steel
- 25 - Thermoplastic

050

Horsepower

- 050 - 1/2 HP
- 075 - 3/4 HP
- 100 - 1 HP
- 150 - 1 1/2 HP
- 200 - 2 HP
- 300 - 3 HP
- 500 - 5 HP

K

GPM

- J - 5 GPM
- V - 7 GPM
- K - 10 GPM
- L - 15 GPM
- P - 20 GPM
- M - 25 GPM

3

Wires

- Two wire or
- Three wire

A

Other

- Leave blank for 230V
- 60 HZ, Single Phase (Standard)
- A - 115V Single Phase

Other Options - Contact Factory

- Z - 230V Three Phase
- Y - 460V Three Phase

Controls

- Leave blank for
- Control (Standard)
- LB - Less box
- (Single Phase Option)
- LS - Less starter
- (Three Phase Option)

NOTES

- Standard is 230V, Single Phase, 60 HZ (no suffix letter required)
- Two-Wire Single phase models include; pump, motor, leads
- Three-Wire Single phase models include; pump, motor, leads, and control box
- Three-Wire Three phase models include; pump, motor, leads, and starter kit
- All submersible pumps include **internal check valves and grounded lead on motor.**

Model 21050K3A is a 1/2 HP, three wire, 115 volt, single phase, 4" submersible pump & motor with control box, designed to pump in the 10 GPM range.



J - 5 GPM

Two Wire Single Phase

| Part No. | Model No. | HP | Stages | Volt | Wt. | Price |
|----------|-----------|-------|--------|------|-----|------------|
| 6627-148 | 21050J2A | 1/2 | 13 | 115 | 28 | \$2,173.30 |
| 6627-147 | 21050J2 | 1/2 | 13 | 230 | 29 | \$2,173.30 |
| 6627-149 | 21075J2 | 3/4 | 18 | 230 | 34 | \$2,763.49 |
| 6627-150 | 21100J2 | 1 | 23 | 230 | 40 | \$3,195.06 |
| 6627-151 | 21150J2 | 1 1/2 | 30 | 230 | 51 | \$3,591.61 |

Three Wire Single Phase

| Part No. | Model No. | HP | Stages | Volt | Wt. | Price |
|----------|-----------|-------|--------|------|-----|------------|
| 6627-168 | 21050J3A | 1/2 | 13 | 115 | 34 | \$2,233.04 |
| 6627-170 | 21050J3 | 1/2 | 13 | 230 | 34 | \$2,233.04 |
| 6627-171 | 21075J3 | 3/4 | 18 | 230 | 37 | \$2,779.97 |
| 6627-172 | 21100J3 | 1 | 23 | 230 | 43 | \$3,160.04 |
| 6627-173 | 21150J3 | 1 1/2 | 30 | 230 | 50 | \$3,658.56 |

Three Wire Three Phase

| Part No. | Model No. | HP | Stages | Volt | Wt. | Price |
|----------|-----------|-------|--------|------|-----|------------|
| 6627-176 | 21150J3Z | 1 1/2 | 30 | 230 | 48 | \$4,722.55 |

V - 7 GPM

Two Wire Single Phase

| Part No. | Model No. | HP | Stages | Volt | Wt. | Price |
|----------|-----------|-------|--------|------|-----|------------|
| 6633-008 | 21050V2A | 1/2 | 9 | 115 | 28 | \$1,829.28 |
| 6633-009 | 21050V2 | 1/2 | 9 | 230 | 30 | \$1,829.28 |
| 6633-014 | 21075V2 | 3/4 | 12 | 230 | 30 | \$2,539.98 |
| 6633-019 | 21100V2 | 1 | 16 | 230 | 41 | \$2,903.57 |
| 6633-023 | 21150V2 | 1 1/2 | 21 | 230 | 49 | \$3,314.54 |

V - 7 GPM

Three Wire Single Phase

| Part No. | Model No. | HP | Stages | Volt | Wt. | Price |
|----------|-----------|-------|--------|------|-----|------------|
| 6633-010 | 21050V3A | 1/2 | 9 | 115 | 31 | \$1,945.67 |
| 6633-012 | 21050V3 | 1/2 | 9 | 230 | 31 | \$1,945.67 |
| 6633-015 | 21075V3 | 3/4 | 12 | 230 | 37 | \$2,548.22 |
| 6633-020 | 21100V3 | 1 | 16 | 230 | 40 | \$2,872.67 |
| 6633-024 | 21150V3 | 1 1/2 | 21 | 230 | 50 | \$3,361.92 |
| 6633-027 | 21200V3 | 2 | 26 | 230 | 54 | \$4,763.75 |

K - 10 GPM

Two Wire Single Phase

| Part No. | Model No. | HP | Stages | Volt | Wt. | Price |
|----------|-----------|-------|--------|------|-----|------------|
| 6650-009 | 21050K2A | 1/2 | 7 | 115 | 29 | \$1,759.24 |
| 6650-008 | 21050K2 | 1/2 | 7 | 230 | 29 | \$1,759.24 |
| 6650-015 | 21075K2 | 3/4 | 9 | 230 | 32 | \$2,206.26 |
| 6650-019 | 21100K2 | 1 | 12 | 230 | 38 | \$2,385.48 |
| 6650-023 | 21150K2 | 1 1/2 | 16 | 230 | 44 | \$3,128.11 |

Three Wire Single Phase

| Part No. | Model No. | HP | Stages | Volt | Wt. | Price |
|----------|-----------|-------|--------|------|-----|------------|
| 6650-011 | 21050K3A | 1/2 | 7 | 115 | 30 | \$1,823.10 |
| 6650-010 | 21050K3 | 1/2 | 7 | 230 | 27 | \$1,823.10 |
| 6650-016 | 21075K3 | 3/4 | 9 | 230 | 32 | \$2,219.65 |
| 6650-020 | 21100K3 | 1 | 12 | 230 | 36 | \$2,353.55 |
| 6650-024 | 21150K3 | 1 1/2 | 16 | 230 | 48 | \$3,201.24 |
| 6650-027 | 21200K3 | 2 | 20 | 230 | 51 | \$4,450.63 |
| 6650-030 | 21300K3 | 3 | 26 | 230 | 63 | \$6,350.98 |
| 6650-269 | 21500K3 | 5 | 33 | 230 | 97 | \$8,165.84 |

Three Wire Three Phase

| Part No. | Model No. | HP | Stages | Volt | Wt. | Price |
|----------|-----------|-------|--------|------|-----|------------|
| 6650-282 | 21150K3Z | 1 1/2 | 16 | 230 | 44 | \$4,384.71 |
| 6650-283 | 21200K3Z | 2 | 20 | 230 | 51 | \$5,072.75 |
| 6650-284 | 21300K3Z | 3 | 26 | 230 | 58 | \$6,463.25 |

21000 Series - 4" No-Lead Brass Submersible Pumps



L - 15 GPM

Two Wire Single Phase

| Part No. | Model No. | HP | Stages | Volt | Wt. | Price |
|----------|-----------|-------|--------|------|-----|------------|
| 6650-077 | 21050L2A | 1/2 | 6 | 115 | 26 | \$2,219.65 |
| 6650-076 | 21050L2 | 1/2 | 6 | 230 | 26 | \$2,219.65 |
| 6650-083 | 21075L2 | 3/4 | 8 | 230 | 30 | \$2,550.28 |
| 6650-087 | 21100L2 | 1 | 10 | 230 | 33 | \$2,727.44 |
| 6650-091 | 21150L2 | 1 1/2 | 13 | 230 | 43 | \$2,975.67 |

Three Wire Single Phase

| Part No. | Model No. | HP | Stages | Volt | Wt. | Price |
|----------|-----------|-------|--------|------|-----|------------|
| 6650-079 | 21050L3A | 1/2 | 6 | 115 | 29 | \$2,280.42 |
| 6650-078 | 21050L3 | 1/2 | 6 | 230 | 30 | \$2,280.42 |
| 6650-084 | 21075L3 | 3/4 | 8 | 230 | 33 | \$2,565.73 |
| 6650-088 | 21100L3 | 1 | 10 | 230 | 37 | \$2,696.54 |
| 6650-092 | 21150L3 | 1 1/2 | 13 | 230 | 46 | \$3,044.68 |
| 6650-095 | 21200L3 | 2 | 17 | 230 | 51 | \$3,564.83 |
| 6650-098 | 21300L3 | 3 | 23 | 230 | 66 | \$5,202.53 |
| 6650-270 | 21500L3 | 5 | 35 | 230 | 100 | \$7,163.65 |

Three Wire Three Phase

| Part No. | Model No. | HP | Stages | Volt | Wt. | Price |
|----------|-----------|----|--------|------|-----|------------|
| 6628-199 | 21200L3Z | 2 | 17 | 230 | 25 | \$4,307.46 |
| 6650-285 | 21300L3Z | 3 | 23 | 230 | 60 | \$5,425.01 |
| 6650-286 | 21500L3Z | 5 | 35 | 230 | 81 | \$8,554.15 |

P - 20 GPM

Two Wire Single Phase

| Part No. | Model No. | HP | Stages | Volt | Wt. | Price |
|----------|-----------|-------|--------|------|-----|------------|
| 6650-103 | 21050P2A | 1/2 | 5 | 115 | 26 | \$2,182.57 |
| 6650-102 | 21050P2 | 1/2 | 5 | 230 | 25 | \$2,182.57 |
| 6650-109 | 21075P2 | 3/4 | 7 | 230 | 28 | \$2,485.39 |
| 6650-113 | 21100P2 | 1 | 9 | 230 | 34 | \$2,621.35 |
| 6650-117 | 21150P2 | 1 1/2 | 12 | 230 | 44 | \$2,816.02 |

Three Wire Single Phase

| Part No. | Model No. | HP | Stages | Volt | Wt. | Price |
|----------|-----------|-------|--------|------|-----|------------|
| 6650-105 | 21050P3A | 1/2 | 5 | 115 | 29 | \$2,248.49 |
| 6650-104 | 21050P3 | 1/2 | 5 | 230 | 29 | \$2,248.49 |
| 6650-110 | 21075P3 | 3/4 | 7 | 230 | 32 | \$2,499.81 |
| 6650-114 | 21100P3 | 1 | 9 | 230 | 37 | \$2,594.57 |
| 6650-118 | 21150P3 | 1 1/2 | 12 | 230 | 46 | \$2,889.15 |
| 6650-121 | 21200P3 | 2 | 14 | 230 | 51 | \$4,134.42 |
| 6650-124 | 21300P3 | 3 | 20 | 230 | 65 | \$5,827.74 |
| 6650-127 | 21500P3 | 5 | 32 | 230 | 101 | \$7,457.20 |

Three Wire Three Phase

| Part No. | Model No. | HP | Stages | Volt | Wt. | Price |
|----------|-----------|-------|--------|------|-----|------------|
| 6629-176 | 21150P3Z | 1 1/2 | 12 | 230 | 47 | \$3,993.31 |
| 6629-177 | 21200P3Z | 2 | 14 | 230 | 47 | \$4,755.51 |
| 6629-178 | 21300P3Z | 3 | 20 | 230 | 55 | \$5,947.22 |
| 6650-130 | 21500P3Z | 5 | 32 | 230 | 80 | \$7,914.52 |

M - 25 GPM

Two Wire Single Phase

| Part No. | Model No. | HP | Stages | Volt | Wt. | Price |
|----------|-----------|-------|--------|------|-----|------------|
| 6650-135 | 21050M2A | 1/2 | 4 | 115 | 26 | \$1,953.91 |
| 6650-134 | 21050M2 | 1/2 | 4 | 230 | 24 | \$1,953.91 |
| 6650-141 | 21075M2 | 3/4 | 5 | 230 | 29 | \$2,352.52 |
| 6650-145 | 21100M2 | 1 | 7 | 230 | 31 | \$2,463.76 |
| 6650-149 | 21150M2 | 1 1/2 | 9 | 230 | 40 | \$3,084.85 |

Three Wire Single Phase

| Part No. | Model No. | HP | Stages | Volt | Wt. | Price |
|----------|-----------|-------|--------|------|-----|------------|
| 6650-137 | 21050M3A | 1/2 | 4 | 115 | 29 | \$2,017.77 |
| 6650-136 | 21050M3 | 1/2 | 4 | 230 | 29 | \$2,017.77 |
| 6650-142 | 21075M3 | 3/4 | 5 | 230 | 31 | \$2,362.82 |
| 6650-146 | 21100M3 | 1 | 7 | 230 | 35 | \$2,426.68 |
| 6650-150 | 21150M3 | 1 1/2 | 9 | 230 | 45 | \$3,157.98 |
| 6650-153 | 21200M3 | 2 | 12 | 230 | 49 | \$3,931.51 |
| 6650-156 | 21300M3 | 3 | 16 | 230 | 63 | \$5,674.27 |
| 6650-159 | 21500M3 | 5 | 25 | 230 | 98 | \$7,201.76 |

Three Wire Three Phase

| Part No. | Model No. | HP | Stages | Volt | Wt. | Price |
|----------|-----------|-------|--------|------|-----|------------|
| 6650-287 | 21150M3Z | 1 1/2 | 9 | 230 | 41 | \$4,113.82 |
| 6628-177 | 21200M3Z | 2 | 12 | 230 | 45 | \$4,560.84 |
| 6628-178 | 21300M3Z | 3 | 16 | 230 | 53 | \$6,260.34 |
| 6650-162 | 21500M3Z | 5 | 25 | 230 | 75 | \$7,662.17 |
| 6650-161 | 21500M3Y | 5 | 25 | 460 | 73 | \$6,683.67 |

21000 Series - 4" Silicon Bronze Submersible Pumps

4" Silicon Bronze Pump Ends



J - 5 GPM

| Part No. | Model No. | HP | Wt. | Price |
|----------|-----------|-------|-----|------------|
| 6627-182 | 21050J | 1/2 | 11 | \$1,025.88 |
| 6627-183 | 21075J | 3/4 | 11 | \$1,370.93 |
| 6627-184 | 21100J | 1 | 14 | \$1,935.37 |
| 6627-185 | 21150J | 1 1/2 | 18 | \$2,281.45 |

V - 7 GPM

| Part No. | Model No. | HP | Wt. | Price |
|----------|-----------|-------|-----|------------|
| 6633-007 | 21050V | 1/2 | 10 | \$696.00 |
| 6633-017 | 21075V | 3/4 | 12 | \$1,142.27 |
| 6633-018 | 21100V | 1 | 11 | \$1,412.13 |
| 6633-022 | 21150V | 1 1/2 | 13 | \$1,986.87 |
| 6633-026 | 21200V | 2 | 16 | \$2,622.38 |

K - 10 GPM

| Part No. | Model No. | HP | Wt. | Price |
|----------|-----------|-------|-----|------------|
| 6650-007 | 21050K | 1/2 | 8 | \$595.00 |
| 6650-014 | 21075K | 3/4 | 9 | \$802.00 |
| 6650-018 | 21100K | 1 | 9 | \$888.00 |
| 6650-022 | 21150K | 1 1/2 | 13 | \$1,740.70 |
| 6650-026 | 21200K | 2 | 15 | \$2,313.38 |
| 6650-029 | 21300K | 3 | 17 | \$3,029.23 |
| 6650-264 | 21500K | 5 | 18 | \$3,781.13 |

L - 15 GPM

| Part No. | Model No. | HP | Wt. | Price |
|----------|-----------|-------|-----|------------|
| 6650-075 | 21050L | 1/2 | 8 | \$1,027.94 |
| 6650-082 | 21075L | 3/4 | 10 | \$1,107.25 |
| 6650-086 | 21100L | 1 | 11 | \$1,217.46 |
| 6650-090 | 21150L | 1 1/2 | 11 | \$1,312.22 |
| 6650-094 | 21200L | 2 | 13 | \$1,548.09 |
| 6650-097 | 21300L | 3 | 17 | \$1,986.87 |
| 6650-100 | 21500L | 5 | 24 | \$3,705.94 |

P - 20 GPM

| Part No. | Model No. | HP | Wt. | Price |
|----------|-----------|-------|-----|------------|
| 6650-101 | 21050P | 1/2 | 7 | \$964.00 |
| 6650-108 | 21075P | 3/4 | 8 | \$1,147.42 |
| 6650-112 | 21100P | 1 | 9 | \$1,185.53 |
| 6650-116 | 21150P | 1 1/2 | 10 | \$1,353.42 |
| 6650-120 | 21200P | 2 | 11 | \$1,990.99 |
| 6650-123 | 21300P | 3 | 16 | \$2,504.96 |
| 6650-126 | 21500P | 5 | 23 | \$3,075.58 |

M - 25 GPM

| Part No. | Model No. | HP | Wt. | Price |
|----------|-----------|-------|-----|------------|
| 6650-133 | 21050M | 1/2 | 9 | \$821.00 |
| 6650-140 | 21075M | 3/4 | 9 | \$962.00 |
| 6650-144 | 21100M | 1 | 9 | \$964.00 |
| 6650-148 | 21150M | 1 1/2 | 9 | \$1,474.96 |
| 6650-152 | 21200M | 2 | 11 | \$1,797.35 |
| 6650-155 | 21300M | 3 | 14 | \$2,362.82 |
| 6650-158 | 21500M | 5 | 18 | \$2,813.96 |

Bottom Suction-Cistern Pump



Bottom Suction Sub Pump 2W

| Part No. | Model No. | HP | Volt | Wt. | Price |
|----------|-----------|-----|------|-----|------------|
| 6634-284 | 22050L2AB | 1/2 | 115 | 19 | \$1,307.07 |
| 6634-285 | 22075L2AB | 3/4 | 115 | 21 | \$1,368.87 |
| 6634-289 | 22050L2B | 1/2 | 230 | 19 | \$1,307.07 |
| 6634-290 | 22075L2B | 3/4 | 230 | 21 | \$1,368.87 |

22000 Series - 4" Thermoplastic Submersible Pumps



J - 5 GPM

Two Wire Single Phase

| Part No. | Model No. | HP | Stages | Volt | Wt. | Price |
|----------|-----------|-----|--------|------|-----|------------|
| 6634-015 | 22050J2 | 1/2 | 13 | 230 | 29 | \$1,914.77 |
| 6634-016 | 22075J2 | 3/4 | 18 | 230 | 29 | \$2,331.92 |
| 6634-017 | 22100J2 | 1 | 23 | 230 | 35 | \$2,607.96 |

Three Wire Single Phase

| Part No. | Model No. | HP | Stages | Volt | Wt. | Price |
|----------|-----------|-----|--------|------|-----|------------|
| 6634-019 | 22050J3 | 1/2 | 13 | 230 | 30 | \$1,977.60 |
| 6634-021 | 22075J3 | 3/4 | 18 | 230 | 38 | \$2,339.13 |
| 6634-023 | 22100J3 | 1 | 23 | 230 | 41 | \$2,581.18 |

V - 7 GPM

Two Wire Single Phase

| Part No. | Model No. | HP | Stages | Volt | Wt. | Price |
|----------|-----------|-------|--------|------|-----|------------|
| 6634-066 | 22050V2A | 1/2 | 9 | 115 | 25 | \$1,885.93 |
| 6634-063 | 22050V2 | 1/2 | 9 | 230 | 24 | \$1,885.93 |
| 6634-064 | 22075V2 | 3/4 | 12 | 230 | 28 | \$2,308.23 |
| 6634-070 | 22100V2 | 1 | 16 | 230 | 31 | \$2,570.88 |
| 6634-072 | 22150V2 | 1 1/2 | 21 | 230 | 42 | \$3,112.66 |

Three Wire Single Phase

| Part No. | Model No. | HP | Stages | Volt | Wt. | Price |
|----------|-----------|-------|--------|------|-----|------------|
| 6634-065 | 22050V3A | 1/2 | 9 | 115 | 25 | \$1,947.73 |
| 6634-067 | 22050V3 | 1/2 | 9 | 230 | 25 | \$1,947.73 |
| 6634-068 | 22075V3 | 3/4 | 12 | 230 | 28 | \$2,323.68 |
| 6634-069 | 22100V3 | 1 | 16 | 230 | 32 | \$2,544.10 |
| 6634-071 | 22150V3 | 1 1/2 | 21 | 230 | 40 | \$3,181.67 |

K - 10 GPM

Two Wire Single Phase

| Part No. | Model No. | HP | Stages | Volt | Wt. | Price |
|----------|-----------|-------|--------|------|-----|------------|
| 6634-149 | 22050K2A | 1/2 | 7 | 115 | 27 | \$1,624.31 |
| 6634-148 | 22050K2 | 1/2 | 7 | 230 | 26 | \$1,624.31 |
| 6634-161 | 22075K2 | 3/4 | 9 | 230 | 29 | \$2,042.49 |
| 6634-165 | 22100K2 | 1 | 12 | 230 | 36 | \$2,301.02 |
| 6634-172 | 22150K2 | 1 1/2 | 16 | 230 | 41 | \$2,865.46 |

Three Wire Single Phase

| Part No. | Model No. | HP | Stages | Volt | Wt. | Price |
|----------|-----------|-------|--------|------|-----|------------|
| 6634-157 | 22050K3A | 1/2 | 7 | 115 | 26 | \$1,689.20 |
| 6634-156 | 22050K3 | 1/2 | 7 | 230 | 26 | \$1,689.20 |
| 6634-162 | 22075K3 | 3/4 | 9 | 230 | 30 | \$2,052.79 |
| 6634-169 | 22100K3 | 1 | 12 | 230 | 33 | \$2,273.21 |
| 6634-174 | 22150K3 | 1 1/2 | 16 | 230 | 44 | \$2,936.53 |

L - 15 GPM

Two Wire Single Phase

| Part No. | Model No. | HP | Stages | Volt | Wt. | Price |
|----------|-----------|-------|--------|------|-----|------------|
| 6634-194 | 22050L2A | 1/2 | 6 | 115 | 23 | \$1,913.74 |
| 6634-193 | 22050L2 | 1/2 | 6 | 230 | 23 | \$1,913.74 |
| 6634-200 | 22075L2 | 3/4 | 8 | 230 | 26 | \$2,247.46 |
| 6634-213 | 22100L2 | 1 | 10 | 230 | 30 | \$2,523.50 |
| 6634-217 | 22150L2 | 1 1/2 | 13 | 230 | 41 | \$2,702.72 |

Three Wire Single Phase

| Part No. | Model No. | HP | Stages | Volt | Wt. | Price |
|----------|-----------|-------|--------|------|-----|------------|
| 6634-198 | 22050L3A | 1/2 | 6 | 115 | 26 | \$1,977.60 |
| 6634-196 | 22050L3 | 1/2 | 6 | 230 | 26 | \$1,977.60 |
| 6634-211 | 22075L3 | 3/4 | 8 | 230 | 30 | \$2,258.79 |
| 6634-215 | 22100L3 | 1 | 10 | 230 | 33 | \$2,503.93 |
| 6634-219 | 22150L3 | 1 1/2 | 13 | 230 | 42 | \$2,760.40 |

P - 20 GPM

Two Wire Single Phase

| Part No. | Model No. | HP | Stages | Volt | Wt. | Price |
|----------|-----------|-------|--------|------|-----|------------|
| 6634-221 | 22050P2A | 1/2 | 5 | 115 | 22 | \$1,939.49 |
| 6634-220 | 22050P2 | 1/2 | 5 | 230 | 22 | \$1,939.49 |
| 6634-225 | 22075P2 | 3/4 | 7 | 230 | 26 | \$2,050.73 |
| 6634-230 | 22100P2 | 1 | 9 | 230 | 36 | \$2,216.56 |
| 6634-234 | 22150P2 | 1 1/2 | 12 | 230 | 38 | \$2,495.69 |

Three Wire Single Phase

| Part No. | Model No. | HP | Stages | Volt | Wt. | Price |
|----------|-----------|-------|--------|------|-----|------------|
| 6634-189 | 22050P3A | 1/2 | 5 | 115 | 25 | \$1,841.64 |
| 6634-223 | 22050P3 | 1/2 | 5 | 230 | 26 | \$1,841.64 |
| 6634-227 | 22075P3 | 3/4 | 7 | 230 | 29 | \$2,070.30 |
| 6634-232 | 22100P3 | 1 | 9 | 230 | 32 | \$2,183.60 |
| 6634-236 | 22150P3 | 1 1/2 | 12 | 230 | 42 | \$2,396.00 |

M - 25 GPM

Two Wire Single Phase

| Part No. | Model No. | HP | Stages | Volt | Wt. | Price |
|----------|-----------|-------|--------|------|-----|------------|
| 6634-240 | 22050M2A | 1/2 | 4 | 115 | 22 | \$1,887.99 |
| 6634-239 | 22050M2 | 1/2 | 4 | 230 | 21 | \$1,887.99 |
| 6634-246 | 22075M2 | 3/4 | 5 | 230 | 25 | \$2,117.68 |
| 6634-250 | 22100M2 | 1 | 7 | 230 | 35 | \$2,286.60 |
| 6634-254 | 22150M2 | 1 1/2 | 9 | 230 | 38 | \$2,512.17 |

Three Wire Single Phase

| Part No. | Model No. | HP | Stages | Volt | Wt. | Price |
|----------|-----------|-------|--------|------|-----|------------|
| 6634-244 | 22050M3A | 1/2 | 4 | 115 | 26 | \$1,971.42 |
| 6634-242 | 22050M3 | 1/2 | 4 | 230 | 25 | \$1,971.42 |
| 6634-248 | 22075M3 | 3/4 | 5 | 230 | 29 | \$2,137.25 |
| 6634-252 | 22100M3 | 1 | 7 | 230 | 32 | \$2,295.87 |
| 6634-256 | 22150M3 | 1 1/2 | 9 | 230 | 42 | \$2,742.89 |

4" Thermoplastic Pump Ends

J - 5 GPM

| Part No. | Model No. | HP | Wt. | Price |
|----------|-----------|-----|-----|------------|
| 6634-090 | 22050J | 1/2 | 7 | \$666.00 |
| 6634-091 | 22075J | 3/4 | 9 | \$820.00 |
| 6634-092 | 22100J | 1 | 12 | \$1,017.64 |

L - 15 GPM

| Part No. | Model No. | HP | Wt. | Price |
|----------|-----------|-------|-----|------------|
| 6634-192 | 22050L | 1/2 | 5 | \$690.00 |
| 6634-199 | 22075L | 3/4 | 6 | \$763.00 |
| 6634-212 | 22100L | 1 | 7 | \$953.00 |
| 6634-216 | 22150L | 1 1/2 | 8 | \$1,100.04 |

V - 7 GPM

| Part No. | Model No. | HP | Wt. | Price |
|----------|-----------|-------|-----|------------|
| 6634-094 | 22050V | 1/2 | 6 | \$636.00 |
| 6634-095 | 22075V | 3/4 | 8 | \$799.00 |
| 6634-096 | 22100V | 1 | 9 | \$947.00 |
| 6634-097 | 22150V | 1 1/2 | 12 | \$1,384.32 |

P - 20 GPM

| Part No. | Model No. | HP | Wt. | Price |
|----------|-----------|-------|-----|----------|
| 6634-181 | 22050P | 1/2 | 5 | \$532.00 |
| 6634-224 | 22075P | 3/4 | 6 | \$551.00 |
| 6634-229 | 22100P | 1 | 7 | \$698.00 |
| 6634-233 | 22150P | 1 1/2 | 8 | \$747.00 |

K - 10 GPM

| Part No. | Model No. | HP | Wt. | Price |
|----------|-----------|-------|-----|------------|
| 6634-146 | 22050K | 1/2 | 5 | \$385.00 |
| 6634-160 | 22075K | 3/4 | 6 | \$541.00 |
| 6634-164 | 22100K | 1 | 7 | \$690.00 |
| 6634-171 | 22150K | 1 1/2 | 9 | \$1,144.33 |

M - 25 GPM

| Part No. | Model No. | HP | Wt. | Price |
|----------|-----------|-------|-----|----------|
| 6634-238 | 22050M | 1/2 | 4 | \$666.00 |
| 6634-245 | 22075M | 3/4 | 5 | \$736.00 |
| 6634-249 | 22100M | 1 | 5 | \$815.00 |
| 6634-253 | 22150M | 1 1/2 | 6 | \$929.00 |



23000 Series - 4" Stainless Steel Submersible Pumps



J - 5 GPM

Two Wire Single Phase

| Part No. | Model No. | HP | Stages | Volt | Wt. | Price |
|----------|-----------|-------|--------|------|-----|------------|
| 6622-038 | 23050J2A | 1/2 | 13 | 115 | 28 | \$2,173.30 |
| 6622-037 | 23050J2 | 1/2 | 13 | 230 | 27 | \$2,173.30 |
| 6622-061 | 23075J2 | 3/4 | 18 | 230 | 31 | \$2,763.49 |
| 6622-077 | 23100J2 | 1 | 23 | 230 | 37 | \$3,195.06 |
| 6622-003 | 23150J2 | 1 1/2 | 30 | 230 | 48 | \$3,591.61 |

Three Wire Single Phase

| Part No. | Model No. | HP | Stages | Volt | Wt. | Price |
|----------|-----------|-------|--------|------|-----|------------|
| 6622-040 | 23050J3A | 1/2 | 13 | 115 | 31 | \$2,233.04 |
| 6622-039 | 23050J3 | 1/2 | 13 | 230 | 31 | \$2,233.04 |
| 6622-062 | 23075J3 | 3/4 | 18 | 230 | 37 | \$2,779.97 |
| 6622-078 | 23100J3 | 1 | 23 | 230 | 43 | \$3,160.04 |
| 6622-005 | 23150J3 | 1 1/2 | 30 | 230 | 31 | \$3,658.56 |

Three Wire Three Phase

| Part No. | Model No. | HP | Stages | Volt | Wt. | Price |
|----------|-----------|-------|--------|------|-----|------------|
| 6650-288 | 23150J3Z | 1 1/2 | 30 | 230 | 42 | \$4,722.55 |

V - 7 GPM

Two Wire Single Phase

| Part No. | Model No. | HP | Stages | Volt | Wt. | Price |
|----------|-----------|-------|--------|------|-----|------------|
| 6622-055 | 23050V2A | 1/2 | 9 | 115 | 26 | \$1,829.28 |
| 6622-054 | 23050V2 | 1/2 | 9 | 230 | 28 | \$1,829.28 |
| 6622-073 | 23075V2 | 3/4 | 12 | 230 | 29 | \$2,539.98 |
| 6622-090 | 23100V2 | 1 | 16 | 230 | 40 | \$2,903.57 |
| 6622-098 | 23150V2 | 1 1/2 | 21 | 230 | 45 | \$3,314.54 |

Three Wire Single Phase

| Part No. | Model No. | HP | Stages | Volt | Wt. | Price |
|----------|-----------|-------|--------|------|-----|------------|
| 6622-057 | 23050V3A | 1/2 | 9 | 115 | 23 | \$1,945.67 |
| 6622-056 | 23050V3 | 1/2 | 9 | 230 | 28 | \$1,945.67 |
| 6622-074 | 23075V3 | 3/4 | 12 | 230 | 32 | \$2,548.22 |
| 6622-091 | 23100V3 | 1 | 16 | 230 | 36 | \$2,872.67 |
| 6622-099 | 23150V3 | 1 1/2 | 21 | 230 | 48 | \$3,361.92 |
| 6622-108 | 23200V3 | 2 | 26 | 230 | 51 | \$4,763.75 |

K - 10 GPM

Two Wire Single Phase

| Part No. | Model No. | HP | Stages | Volt | Wt. | Price |
|----------|-----------|-------|--------|------|-----|------------|
| 6650-041 | 23050K2A | 1/2 | 7 | 115 | 28 | \$1,759.24 |
| 6650-040 | 23050K2 | 1/2 | 7 | 230 | 28 | \$1,759.24 |
| 6650-047 | 23075K2 | 3/4 | 9 | 230 | 31 | \$2,206.26 |
| 6650-051 | 23100K2 | 1 | 12 | 230 | 38 | \$2,385.48 |
| 6650-055 | 23150K2 | 1 1/2 | 16 | 230 | 43 | \$3,128.11 |

K - 10 GPM (continued)

Three Wire Single Phase

| Part No. | Model No. | HP | Stages | Volt | Wt. | Price |
|----------|-----------|-------|--------|------|-----|------------|
| 6650-043 | 23050K3A | 1/2 | 7 | 115 | 28 | \$1,823.10 |
| 6650-042 | 23050K3 | 1/2 | 7 | 230 | 28 | \$1,823.10 |
| 6650-048 | 23075K3 | 3/4 | 9 | 230 | 31 | \$2,219.65 |
| 6650-052 | 23100K3 | 1 | 12 | 230 | 33 | \$2,353.55 |
| 6650-056 | 23150K3 | 1 1/2 | 16 | 230 | 43 | \$3,201.24 |
| 6650-059 | 23200K3 | 2 | 20 | 230 | 46 | \$4,450.63 |
| 6650-062 | 23300K3 | 3 | 26 | 230 | 70 | \$6,350.98 |
| 6650-293 | 23500K3 | 5 | 33 | 230 | 97 | \$8,165.84 |

Three Wire Three Phase

| Part No. | Model No. | HP | Stages | Volt | Wt. | Price |
|----------|-----------|-------|--------|------|-----|------------|
| 6650-289 | 23150K3Z | 1 1/2 | 16 | 230 | 42 | \$4,384.71 |
| 6650-307 | 23150K3Y | 1 1/2 | 16 | 460 | 37 | \$4,372.35 |
| 6650-290 | 23200K3Z | 2 | 20 | 230 | 50 | \$5,072.75 |
| 6650-291 | 23300K3Z | 3 | 26 | 230 | 57 | \$6,463.25 |
| 6650-292 | 23500K3Z | 5 | 33 | 230 | 76 | \$8,623.16 |

L - 15 GPM

Two Wire Single Phase

| Part No. | Model No. | HP | Stages | Volt | Wt. | Price |
|----------|-----------|-------|--------|------|-----|------------|
| 6650-173 | 23050L2A | 1/2 | 6 | 115 | 25 | \$2,219.65 |
| 6650-172 | 23050L2 | 1/2 | 6 | 230 | 24 | \$2,219.65 |
| 6650-179 | 23075L2 | 3/4 | 8 | 230 | 28 | \$2,550.28 |
| 6650-183 | 23100L2 | 1 | 10 | 230 | 32 | \$2,727.44 |
| 6650-187 | 23150L2 | 1 1/2 | 13 | 230 | 41 | \$2,975.67 |

Three Wire Single Phase

| Part No. | Model No. | HP | Stages | Volt | Wt. | Price |
|----------|-----------|-------|--------|------|-----|------------|
| 6650-175 | 23050L3A | 1/2 | 6 | 115 | 27 | \$2,280.42 |
| 6650-174 | 23050L3 | 1/2 | 6 | 230 | 28 | \$2,280.42 |
| 6650-180 | 23075L3 | 3/4 | 8 | 230 | 31 | \$2,565.73 |
| 6650-184 | 23100L3 | 1 | 10 | 230 | 35 | \$2,696.54 |
| 6650-188 | 23150L3 | 1 1/2 | 13 | 230 | 44 | \$3,044.68 |
| 6650-191 | 23200L3 | 2 | 17 | 230 | 50 | \$3,564.83 |
| 6650-194 | 23300L3 | 3 | 23 | 230 | 64 | \$5,202.53 |
| 6650-294 | 23500L3 | 5 | 35 | 230 | 102 | \$7,163.65 |

Three Wire Three Phase

| Part No. | Model No. | HP | Stages | Volt | Wt. | Price |
|----------|-----------|-------|--------|------|-----|------------|
| 6637-035 | 23150L3Z | 1 1/2 | 13 | 230 | 39 | \$3,945.93 |
| 6650-299 | 23200L3Z | 2 | 17 | 230 | 48 | \$4,307.46 |
| 6650-300 | 23300L3Z | 3 | 23 | 230 | 56 | \$5,425.01 |
| 6650-301 | 23500L3Z | 5 | 35 | 230 | 81 | \$8,554.15 |

23000 Series - 4" Stainless Steel Submersible Pumps

P - 20 GPM

Two Wire Single Phase

| Part No. | Model No. | HP | Stages | Volt | Wt. | Price |
|----------|-----------|-------|--------|------|-----|------------|
| 6650-199 | 23050P2A | 1/2 | 5 | 115 | 25 | \$2,182.57 |
| 6650-198 | 23050P2 | 1/2 | 5 | 230 | 27 | \$2,182.57 |
| 6650-205 | 23075P2 | 3/4 | 7 | 230 | 28 | \$2,485.39 |
| 6650-209 | 23100P2 | 1 | 9 | 230 | 38 | \$2,621.35 |
| 6650-213 | 23150P2 | 1 1/2 | 12 | 230 | 41 | \$2,816.02 |

Three Wire Single Phase

| Part No. | Model No. | HP | Stages | Volt | Wt. | Price |
|----------|-----------|-------|--------|------|-----|------------|
| 6650-201 | 23050P3A | 1/2 | 5 | 115 | 27 | \$2,248.49 |
| 6650-200 | 23050P3 | 1/2 | 5 | 230 | 27 | \$2,248.49 |
| 6650-206 | 23075P3 | 3/4 | 7 | 230 | 30 | \$2,499.81 |
| 6650-210 | 23100P3 | 1 | 9 | 230 | 34 | \$2,594.57 |
| 6650-214 | 23150P3 | 1 1/2 | 12 | 230 | 43 | \$2,889.15 |
| 6650-217 | 23200P3 | 2 | 14 | 230 | 49 | \$4,134.42 |
| 6650-220 | 23300P3 | 3 | 20 | 230 | 63 | \$5,827.74 |
| 6650-223 | 23500P3 | 5 | 32 | 230 | 99 | \$6,961.00 |

Three Wire Three Phase

| Part No. | Model No. | HP | Stages | Volt | Wt. | Price |
|----------|-----------|-------|--------|------|-----|------------|
| 6650-302 | 23150P3Z | 1 1/2 | 12 | 230 | 40 | \$3,993.31 |
| 6622-139 | 23200P3Z | 2 | 14 | 230 | 44 | \$4,755.51 |
| 6622-140 | 23300P3Z | 3 | 20 | 230 | 53 | \$5,947.22 |
| 6650-226 | 23500P3Z | 5 | 32 | 230 | 78 | \$7,914.52 |
| 6650-225 | 23500P3Y | 5 | 32 | 460 | 76 | \$6,941.17 |

M - 25 GPM

Two Wire Single Phase

| Part No. | Model No. | HP | Stages | Volt | Wt. | Price |
|----------|-----------|-------|--------|------|-----|------------|
| 6650-230 | 23050M2A | 1/2 | 4 | 115 | 24 | \$1,953.91 |
| 6650-229 | 23050M2 | 1/2 | 4 | 230 | 24 | \$1,953.91 |
| 6650-236 | 23075M2 | 3/4 | 5 | 230 | 27 | \$2,352.52 |
| 6650-240 | 23100M2 | 1 | 7 | 230 | 36 | \$2,463.76 |
| 6650-244 | 23150M2 | 1 1/2 | 9 | 230 | 40 | \$3,084.85 |

Three Wire Single Phase

| Part No. | Model No. | HP | Stages | Volt | Wt. | Price |
|----------|-----------|-------|--------|------|-----|------------|
| 6650-232 | 23050M3A | 1/2 | 4 | 115 | 27 | \$2,017.77 |
| 6650-231 | 23050M3 | 1/2 | 4 | 230 | 27 | \$2,017.77 |
| 6650-237 | 23075M3 | 3/4 | 5 | 230 | 30 | \$2,362.82 |
| 6650-241 | 23100M3 | 1 | 7 | 230 | 33 | \$2,426.68 |
| 6650-245 | 23150M3 | 1 1/2 | 9 | 230 | 42 | \$3,157.98 |
| 6650-248 | 23200M3 | 2 | 12 | 230 | 48 | \$3,931.51 |
| 6650-251 | 23300M3 | 3 | 16 | 230 | 60 | \$5,674.27 |
| 6650-254 | 23500M3 | 5 | 25 | 230 | 95 | \$7,201.76 |

Three Wire Three Phase

| Part No. | Model No. | HP | Stages | Volt | Wt. | Price |
|----------|-----------|-------|--------|------|-----|------------|
| 6637-021 | 23150M3Z | 1 1/2 | 9 | 230 | 39 | \$4,113.82 |
| 6639-031 | 23150M3Y | 1 1/2 | 9 | 460 | 37 | \$4,113.82 |
| 6637-023 | 23200M3Z | 2 | 12 | 230 | 44 | \$4,560.84 |
| 6639-033 | 23200M3Y | 2 | 12 | 460 | 44 | \$4,560.84 |
| 6637-025 | 23300M3Z | 3 | 16 | 230 | 50 | \$6,260.34 |
| 6639-035 | 23300M3Y | 3 | 16 | 460 | 50 | \$6,260.34 |
| 6650-257 | 23500M3Z | 5 | 25 | 230 | 74 | \$7,662.17 |
| 6650-256 | 23500M3Y | 5 | 25 | 460 | 73 | \$7,662.17 |

4" Stainless Steel Pump Ends



J - 5 GPM

| Part No. | Model No. | HP | Wt. | Price |
|----------|-----------|-------|-----|------------|
| 6622-036 | 23050J | 1/2 | 9 | \$1,025.88 |
| 6622-060 | 23075J | 3/4 | 10 | \$1,370.93 |
| 6622-076 | 23100J | 1 | 13 | \$1,935.37 |
| 6622-007 | 23150J | 1 1/2 | 17 | \$2,281.45 |

V - 7 GPM

| Part No. | Model No. | HP | Wt. | Price |
|----------|-----------|-------|-----|------------|
| 6622-053 | 23050V | 1/2 | 8 | \$696.00 |
| 6622-072 | 23075V | 3/4 | 9 | \$1,142.27 |
| 6622-089 | 23100V | 1 | 10 | \$1,412.13 |
| 6622-097 | 23150V | 1 1/2 | 12 | \$1,986.87 |
| 6622-107 | 23200V | 2 | 15 | \$2,622.38 |

K - 10 GPM

| Part No. | Model No. | HP | Wt. | Price |
|----------|-----------|-------|-----|------------|
| 6650-039 | 23050K | 1/2 | 7 | \$595.00 |
| 6650-046 | 23075K | 3/4 | 8 | \$802.00 |
| 6650-050 | 23100K | 1 | 8 | \$888.00 |
| 6650-054 | 23150K | 1 1/2 | 11 | \$1,740.70 |
| 6650-058 | 23200K | 2 | 13 | \$2,313.38 |
| 6650-061 | 23300K | 3 | 16 | \$3,029.23 |
| 6650-263 | 23500K | 5 | 18 | \$3,781.13 |

L - 15 GPM

| Part No. | Model No. | HP | Wt. | Price |
|----------|-----------|-------|-----|------------|
| 6650-171 | 23050L | 1/2 | 7 | \$1,027.94 |
| 6650-178 | 23075L | 3/4 | 8 | \$1,107.25 |
| 6650-182 | 23100L | 1 | 8 | \$1,217.46 |
| 6650-186 | 23150L | 1 1/2 | 10 | \$1,312.22 |
| 6650-190 | 23200L | 2 | 12 | \$1,548.09 |
| 6650-193 | 23300L | 3 | 15 | \$1,986.87 |
| 6650-196 | 23500L | 5 | 22 | \$3,705.94 |

P - 20 GPM

| Part No. | Model No. | HP | Wt. | Price |
|----------|-----------|-------|-----|------------|
| 6650-197 | 23050P | 1/2 | 6 | \$964.00 |
| 6650-204 | 23075P | 3/4 | 7 | \$1,147.42 |
| 6650-208 | 23100P | 1 | 8 | \$1,185.53 |
| 6650-212 | 23150P | 1 1/2 | 9 | \$1,353.42 |
| 6650-216 | 23200P | 2 | 10 | \$1,990.99 |
| 6650-219 | 23300P | 3 | 14 | \$2,504.96 |
| 6650-222 | 23500P | 5 | 21 | \$3,075.58 |

M - 25 GPM

| Part No. | Model No. | HP | Wt. | Price |
|----------|-----------|-------|-----|------------|
| 6650-228 | 23050M | 1/2 | 6 | \$821.00 |
| 6650-235 | 23075M | 3/4 | 6 | \$962.00 |
| 6650-239 | 23100M | 1 | 7 | \$964.00 |
| 6650-243 | 23150M | 1 1/2 | 8 | \$1,474.96 |
| 6650-247 | 23200M | 2 | 10 | \$1,797.35 |
| 6650-250 | 23300M | 3 | 11 | \$2,362.82 |
| 6650-253 | 23500M | 5 | 17 | \$2,813.96 |

24000 Series - 4" Stainless Steel Submersible Pumps



J - 5 GPM

Two Wire Single Phase

| Part No. | Model No. | HP | Stages | Volt | Wt. | Price |
|----------|-----------|-------|--------|------|-----|------------|
| 6630-233 | 24050J2A | 1/2 | 12 | 115 | 27 | \$1,975.54 |
| 6630-234 | 24050J2 | 1/2 | 12 | 230 | 30 | \$1,975.54 |
| 6630-240 | 24075J2 | 3/4 | 15 | 230 | 30 | \$2,476.12 |
| 6630-244 | 24100J2 | 1 | 20 | 230 | 42 | \$2,978.76 |
| 6630-248 | 24150J2 | 1 1/2 | 26 | 230 | 47 | \$3,371.19 |

Three Wire Single Phase

| Part No. | Model No. | HP | Stages | Volt | Wt. | Price |
|----------|-----------|-------|--------|------|-----|------------|
| 6630-235 | 24050J3A | 1/2 | 12 | 115 | 30 | \$2,032.19 |
| 6630-236 | 24050J3 | 1/2 | 12 | 230 | 30 | \$2,032.19 |
| 6630-241 | 24075J3 | 3/4 | 15 | 230 | 33 | \$2,485.39 |
| 6630-245 | 24100J3 | 1 | 20 | 230 | 38 | \$2,947.86 |
| 6630-249 | 24150J3 | 1 1/2 | 26 | 230 | 44 | \$3,372.22 |

Three Wire Three Phase

| Part No. | Model No. | HP | Stages | Volt | Wt. | Price |
|----------|-----------|-------|--------|------|-----|------------|
| 6630-251 | 24150J3Z | 1 1/2 | 26 | 230 | 42 | \$4,208.58 |

V - 7 GPM

Two Wire Single Phase

| Part No. | Model No. | HP | Stages | Volt | Wt. | Price |
|----------|-----------|-------|--------|------|-----|------------|
| 6630-255 | 24050V2A | 1/2 | 10 | 115 | 25 | \$1,759.24 |
| 6630-254 | 24050V2 | 1/2 | 10 | 230 | 30 | \$1,759.24 |
| 6630-261 | 24075V2 | 3/4 | 13 | 230 | 33 | \$2,313.38 |
| 6630-265 | 24100V2 | 1 | 17 | 230 | 40 | \$2,608.99 |
| 6630-269 | 24150V2 | 1 1/2 | 22 | 230 | 44 | \$3,165.19 |

Three Wire Single Phase

| Part No. | Model No. | HP | Stages | Volt | Wt. | Price |
|----------|-----------|-------|--------|------|-----|------------|
| 6630-257 | 24050V3A | 1/2 | 10 | 115 | 29 | \$1,820.01 |
| 6630-256 | 24050V3 | 1/2 | 10 | 230 | 29 | \$1,820.01 |
| 6630-262 | 24075V3 | 3/4 | 13 | 230 | 32 | \$2,325.74 |
| 6630-266 | 24100V3 | 1 | 17 | 230 | 37 | \$2,581.18 |
| 6630-270 | 24150V3 | 1 1/2 | 22 | 230 | 43 | \$3,166.22 |
| 6630-273 | 24200V3 | 2 | 27 | 230 | 51 | \$4,002.58 |

Three Wire Three Phase

| Part No. | Model No. | HP | Stages | Volt | Wt. | Price |
|----------|-----------|-------|--------|------|-----|------------|
| 6630-409 | 24150V3Z | 1 1/2 | 22 | 230 | 41 | \$3,405.18 |
| 6630-410 | 24200V3Z | 2 | 27 | 230 | 49 | \$4,493.89 |

K - 10 GPM

Two Wire Single Phase

| Part No. | Model No. | HP | Stages | Volt | Wt. | Price |
|----------|-----------|-------|--------|------|-----|------------|
| 6630-277 | 24050K2A | 1/2 | 7 | 115 | 28 | \$1,686.11 |
| 6630-276 | 24050K2 | 1/2 | 7 | 230 | 28 | \$1,686.11 |
| 6630-283 | 24075K2 | 3/4 | 10 | 230 | 32 | \$2,092.96 |
| 6630-287 | 24100K2 | 1 | 12 | 230 | 38 | \$2,262.91 |
| 6630-291 | 24150K2 | 1 1/2 | 17 | 230 | 42 | \$2,989.06 |

Three Wire Single Phase

| Part No. | Model No. | HP | Stages | Volt | Wt. | Price |
|----------|-----------|-------|--------|------|-----|------------|
| 6630-279 | 24050K3A | 1/2 | 7 | 115 | 28 | \$1,748.94 |
| 6630-278 | 24050K3 | 1/2 | 7 | 230 | 28 | \$1,748.94 |
| 6630-284 | 24075K3 | 3/4 | 10 | 230 | 31 | \$2,105.32 |
| 6630-288 | 24100K3 | 1 | 12 | 230 | 35 | \$2,225.83 |
| 6630-292 | 24150K3 | 1 1/2 | 17 | 230 | 41 | \$2,991.12 |
| 6630-297 | 24200K3 | 2 | 20 | 230 | 47 | \$3,781.13 |
| 6630-302 | 24300K3 | 3 | 27 | 230 | 57 | \$5,405.44 |
| 6630-307 | 24500K3 | 5 | 42 | 230 | 93 | \$6,995.76 |

K - 10 GPM (continued)

Three Wire Three Phase

| Part No. | Model No. | HP | Stages | Volt | Wt. | Price |
|----------|-----------|-------|--------|------|-----|------------|
| 6630-294 | 24150K3Z | 1 1/2 | 17 | 230 | 39 | \$3,829.54 |
| 6630-299 | 24200K3Z | 2 | 20 | 230 | 44 | \$4,086.01 |
| 6630-304 | 24300K3Z | 3 | 27 | 230 | 53 | \$5,153.09 |
| 6630-308 | 24500K3Z | 5 | 42 | 230 | 80 | \$6,507.54 |

L - 15 GPM

Two Wire Single Phase

| Part No. | Model No. | HP | Stages | Volt | Wt. | Price |
|----------|-----------|-------|--------|------|-----|------------|
| 6630-312 | 24050L2A | 1/2 | 5 | 115 | 24 | \$1,977.60 |
| 6630-311 | 24050L2 | 1/2 | 5 | 230 | 27 | \$1,977.60 |
| 6630-318 | 24075L2 | 3/4 | 7 | 230 | 27 | \$2,286.60 |
| 6630-322 | 24100L2 | 1 | 10 | 230 | 37 | \$2,473.03 |
| 6630-326 | 24150L2 | 1 1/2 | 12 | 230 | 39 | \$2,685.21 |

Three Wire Single Phase

| Part No. | Model No. | HP | Stages | Volt | Wt. | Price |
|----------|-----------|-------|--------|------|-----|------------|
| 6630-314 | 24050L3A | 1/2 | 5 | 115 | 28 | \$2,038.37 |
| 6630-313 | 24050L3 | 1/2 | 5 | 230 | 28 | \$2,038.37 |
| 6630-319 | 24075L3 | 3/4 | 7 | 230 | 30 | \$2,298.96 |
| 6630-323 | 24100L3 | 1 | 10 | 230 | 34 | \$2,435.95 |
| 6630-327 | 24150L3 | 1 1/2 | 12 | 230 | 39 | \$2,692.42 |
| 6630-330 | 24200L3 | 2 | 17 | 230 | 39 | \$3,242.44 |
| 6630-335 | 24300L3 | 3 | 21 | 230 | 55 | \$4,672.08 |
| 6630-340 | 24500L3 | 5 | 35 | 230 | 91 | \$6,945.29 |

Three Wire Three Phase

| Part No. | Model No. | HP | Stages | Volt | Wt. | Price |
|----------|-----------|-------|--------|------|-----|------------|
| 6630-411 | 24150L3Z | 1 1/2 | 12 | 230 | 37 | \$2,977.73 |
| 6630-332 | 24200L3Z | 2 | 17 | 230 | 43 | \$3,900.61 |
| 6630-337 | 24300L3Z | 3 | 21 | 230 | 51 | \$4,689.59 |
| 6630-342 | 24500L3Z | 5 | 35 | 230 | 78 | \$6,459.13 |

P - 20 GPM

Two Wire Single Phase

| Part No. | Model No. | HP | Stages | Volt | Wt. | Price |
|----------|-----------|-------|--------|------|-----|------------|
| 6630-346 | 24050P2A | 1/2 | 5 | 230 | 23 | \$1,953.91 |
| 6630-345 | 24050P2 | 1/2 | 5 | 115 | 25 | \$1,953.91 |
| 6630-352 | 24075P2 | 3/4 | 6 | 230 | 27 | \$2,316.47 |
| 6630-356 | 24100P2 | 1 | 8 | 230 | 36 | \$2,452.43 |
| 6630-360 | 24150P2 | 1 1/2 | 11 | 230 | 40 | \$2,719.20 |

Three Wire Single Phase

| Part No. | Model No. | HP | Stages | Volt | Wt. | Price |
|----------|-----------|-------|--------|------|-----|------------|
| 6630-348 | 24050P3A | 1/2 | 5 | 115 | 28 | \$2,016.74 |
| 6630-347 | 24050P3 | 1/2 | 5 | 230 | 28 | \$2,016.74 |
| 6630-353 | 24075P3 | 3/4 | 6 | 230 | 30 | \$2,332.95 |
| 6630-357 | 24100P3 | 1 | 8 | 230 | 34 | \$2,421.53 |
| 6630-361 | 24150P3 | 1 1/2 | 11 | 230 | 42 | \$2,719.20 |
| 6630-366 | 24200P3 | 2 | 14 | 230 | 45 | \$3,554.53 |
| 6630-371 | 24300P3 | 3 | 19 | 230 | 55 | \$5,039.79 |
| 6630-376 | 24500P3 | 5 | 30 | 230 | 90 | \$6,496.21 |

Three Wire Three Phase

| Part No. | Model No. | HP | Stages | Volt | Wt. | Price |
|----------|-----------|-------|--------|------|-----|------------|
| 6630-363 | 24150P3Z | 1 1/2 | 11 | 230 | 37 | \$3,555.56 |
| 6630-368 | 24200P3Z | 2 | 14 | 230 | 42 | \$4,093.22 |
| 6630-373 | 24300P3Z | 3 | 19 | 230 | 51 | \$5,057.30 |
| 6630-380 | 24500P3Z | 5 | 30 | 230 | 77 | \$6,012.11 |

24000 Series - 4" Stainless Steel Submersible Pumps



M - 25 GPM

Two Wire Single Phase

| Part No. | Model No. | HP | Stages | Volt | Wt. | Price |
|----------|-----------|-------|--------|------|-----|------------|
| 6630-383 | 24100M2 | 1 | 7 | 230 | 30 | \$2,314.41 |
| 6630-387 | 24150M2 | 1 1/2 | 9 | 230 | 39 | \$2,798.51 |

Three Wire Single Phase

| Part No. | Model No. | HP | Stages | Volt | Wt. | Price |
|----------|-----------|-------|--------|------|-----|------------|
| 6630-384 | 24100M3 | 1 | 7 | 230 | 34 | \$2,280.42 |
| 6630-388 | 24150M3 | 1 1/2 | 9 | 230 | 39 | \$2,804.69 |
| 6630-393 | 24200M3 | 2 | 11 | 230 | 45 | \$3,419.60 |
| 6630-398 | 24300M3 | 3 | 15 | 230 | 54 | \$4,938.85 |
| 6630-403 | 24500M3 | 5 | 26 | 230 | 90 | \$6,315.96 |

Three Wire Three Phase

| Part No. | Model No. | HP | Stages | Volt | Wt. | Price |
|----------|-----------|-------|--------|------|-----|------------|
| 6630-390 | 24150M3Z | 1 1/2 | 9 | 230 | 37 | \$3,638.99 |
| 6630-395 | 24200M3Z | 2 | 11 | 230 | 42 | \$3,959.32 |
| 6630-400 | 24300M3Z | 3 | 15 | 230 | 50 | \$4,952.24 |
| 6630-407 | 24500M3Z | 5 | 26 | 230 | 77 | \$5,830.83 |

4" Stainless Steel Pump Ends



J - 5 GPM

| Part No. | Model No. | HP | Wt. | Price |
|----------|-----------|-------|-----|------------|
| 6630-232 | 24050J | 1/2 | 8 | \$739.00 |
| 6630-239 | 24075J | 3/4 | 9 | \$1,017.64 |
| 6630-243 | 24100J | 1 | 11 | \$1,438.91 |
| 6630-247 | 24150J | 1 1/2 | 15 | \$1,691.26 |

V - 7 GPM

| Part No. | Model No. | HP | Wt. | Price |
|----------|-----------|-------|-----|------------|
| 6630-253 | 24050V | 1/2 | 7 | \$518.00 |
| 6630-260 | 24075V | 3/4 | 8 | \$823.00 |
| 6630-264 | 24100V | 1 | 11 | \$1,050.60 |
| 6630-268 | 24150V | 1 1/2 | 13 | \$1,474.96 |
| 6630-272 | 24200V | 2 | 15 | \$1,947.73 |

K - 10 GPM

| Part No. | Model No. | HP | Wt. | Price |
|----------|-----------|-------|-----|------------|
| 6630-275 | 24050K | 1/2 | 7 | \$444.00 |
| 6630-282 | 24075K | 3/4 | 8 | \$595.00 |
| 6630-286 | 24100K | 1 | 8 | \$660.00 |
| 6630-290 | 24150K | 1 1/2 | 10 | \$1,291.62 |
| 6630-296 | 24200K | 2 | 11 | \$1,717.01 |
| 6630-301 | 24300K | 3 | 15 | \$2,245.40 |
| 6630-306 | 24500K | 5 | 25 | \$2,800.57 |

L - 15 GPM

| Part No. | Model No. | HP | Wt. | Price |
|----------|-----------|-------|-----|------------|
| 6630-310 | 24050L | 1/2 | 6 | \$740.00 |
| 6630-317 | 24075L | 3/4 | 7 | \$798.00 |
| 6630-321 | 24100L | 1 | 8 | \$877.00 |
| 6630-325 | 24150L | 1 1/2 | 8 | \$944.00 |
| 6630-329 | 24200L | 2 | 11 | \$1,148.45 |
| 6630-334 | 24300L | 3 | 12 | \$1,474.96 |
| 6630-339 | 24500L | 5 | 21 | \$2,748.04 |

P - 20 GPM

| Part No. | Model No. | HP | Wt. | Price |
|----------|-----------|-------|-----|------------|
| 6630-344 | 24050P | 1/2 | 6 | \$715.00 |
| 6630-351 | 24075P | 3/4 | 6 | \$826.00 |
| 6630-355 | 24100P | 1 | 7 | \$854.00 |
| 6630-359 | 24150P | 1 1/2 | 9 | \$1,001.16 |
| 6630-365 | 24200P | 2 | 10 | \$1,477.02 |
| 6630-370 | 24300P | 3 | 13 | \$1,859.15 |
| 6630-375 | 24500P | 5 | 21 | \$2,279.39 |

M - 25 GPM

| Part No. | Model No. | HP | Wt. | Price |
|----------|-----------|-------|-----|------------|
| 6630-382 | 24100M | 1 | 7 | \$715.00 |
| 6630-386 | 24150M | 1 1/2 | 8 | \$1,094.89 |
| 6630-392 | 24200M | 2 | 9 | \$1,332.82 |
| 6630-397 | 24300M | 3 | 12 | \$1,751.00 |
| 6630-402 | 24500M | 5 | 18 | \$2,087.81 |

24000 Series - 4" High Flow Stainless Steel Submersible Pumps

24

Series
Stainless Steel

750

Horsepower
100 - 1 HP
150 - 1 1/2 HP
200 - 2 HP
300 - 3 HP
500 - 5 HP
750 - 7 1/2 HP
1000 - 10 HP

R

GPM
R - 35 GPM
G - 40 GPM
S - 55 GPM
Q - 60 GPM
T - 80 GPM

3

Wires
Two wire or
Three wire

Z

Other
Leave blank for 230V
60 HZ, Single Phase (Standard)
Other Options -
Contact Factory
Z - 230V Three Phase
Y - 460V Three Phase

LS

Controls
Leave blank for
Control (Standard)
LB - Less box
(Single Phase Option)
LS - Less starter
(Three Phase Option)

Model 24750R3ZLS is a 7 1/2 HP, three wire, 230 volt, three phase stainless steel less starter 4" high flow submersible pump, designed to pump in the 35 GPM range.

NOTES

- Standard is 230V, Single Phase, 60 HZ (no suffix letter required)
- Two-Wire Single phase models include; pump, motor, leads
- Three-Wire Single phase models include; pump, motor, leads, and control box
- Three-Wire Three phase models include; pump, motor, leads, and starter kit
- All submersible pumps include internal check valves and grounded lead on motor.



R - 35 GPM

Two Wire Single Phase

| Part No. | Model No. | HP | Stages | Volt | Wt. | Price |
|----------|-----------|-------|--------|------|-----|------------|
| 6630-053 | 24100R2 | 1 | 6 | 230 | 38 | \$3,215.66 |
| 6630-057 | 24150R2 | 1 1/2 | 8 | 230 | 40 | \$3,403.12 |

Three Wire Single Phase

| Part No. | Model No. | HP | Stages | Volt | Wt. | Price |
|----------|-----------|-------|--------|------|-----|------------|
| 6630-054 | 24100R3 | 1 | 6 | 230 | 38 | \$3,180.64 |
| 6630-058 | 24150R3 | 1 1/2 | 8 | 230 | 48 | \$3,081.76 |
| 6630-065 | 24200R3 | 2 | 10 | 230 | 52 | \$4,115.88 |
| 6630-072 | 24300R3 | 3 | 14 | 230 | 75 | \$5,749.46 |
| 6630-079 | 24500R3 | 5 | 22 | 230 | 103 | \$7,629.21 |

Three Wire Three Phase

| Part No. | Model No. | HP | Stages | Volt | Wt. | Price |
|----------|-----------|-------|--------|------|-----|-------------|
| 6630-062 | 24150R3Z | 1 1/2 | 6 | 230 | 42 | \$4,246.69 |
| 6630-060 | 24150R3Y | 1 1/2 | 6 | 460 | 37 | \$4,246.69 |
| 6630-069 | 24200R3Z | 2 | 8 | 230 | 62 | \$4,654.57 |
| 6630-067 | 24200R3Y | 2 | 8 | 460 | 48 | \$4,656.63 |
| 6630-076 | 24300R3Z | 3 | 14 | 230 | 60 | \$5,769.03 |
| 6630-074 | 24300R3Y | 3 | 14 | 460 | 54 | \$5,769.03 |
| 6630-083 | 24500R3Z | 5 | 22 | 230 | 79 | \$7,146.14 |
| 6630-081 | 24500R3Y | 5 | 22 | 460 | 74 | \$7,146.14 |
| 6630-088 | 24750R3Z | 7 1/2 | 34 | 230 | 98 | \$8,469.69 |
| 6630-086 | 24750R3Y | 7 1/2 | 34 | 460 | 97 | \$8,469.69 |
| 6630-091 | 241000R3Y | 10 | 43 | 460 | 159 | \$15,299.62 |

G - 40 GPM

Two Wire Single Phase

| Part No. | Model No. | HP | Stages | Volt | Wt. | Price |
|----------|-----------|-------|--------|------|-----|------------|
| 6630-094 | 24150G2 | 1 1/2 | 5 | 230 | 37 | \$3,737.87 |

Three Wire Single Phase

| Part No. | Model No. | HP | Stages | Volt | Wt. | Price |
|----------|-----------|-------|--------|------|-----|------------|
| 6630-095 | 24150G3 | 1 1/2 | 5 | 230 | 48 | \$3,744.05 |
| 6630-102 | 24200G3 | 2 | 6 | 230 | 51 | \$4,372.35 |
| 6630-109 | 24300G3 | 3 | 8 | 230 | 73 | \$6,094.51 |
| 6630-116 | 24500G3 | 5 | 14 | 230 | 99 | \$8,139.06 |

Three Wire Three Phase

| Part No. | Model No. | HP | Stages | Volt | Wt. | Price |
|----------|-----------|-------|--------|------|-----|------------|
| 6630-099 | 24150G3Z | 1 1/2 | 5 | 230 | 47 | \$4,583.50 |
| 6630-097 | 24150G3Y | 1 1/2 | 5 | 460 | 40 | \$4,278.00 |
| 6630-106 | 24200G3Z | 2 | 6 | 230 | 47 | \$4,914.13 |
| 6630-104 | 24200G3Y | 2 | 6 | 460 | 46 | \$4,914.13 |
| 6630-113 | 24300G3Z | 3 | 8 | 230 | 60 | \$6,115.11 |
| 6630-111 | 24300G3Y | 3 | 8 | 460 | 51 | \$5,708.00 |
| 6630-120 | 24500G3Z | 5 | 14 | 230 | 75 | \$7,655.99 |
| 6630-118 | 24500G3Y | 5 | 14 | 460 | 71 | \$7,655.99 |
| 6630-125 | 24750G3Z | 7 1/2 | 21 | 230 | 93 | \$9,091.81 |
| 6630-123 | 24750G3Y | 7 1/2 | 21 | 460 | 93 | \$9,091.81 |

24000 Series - 4" High Flow Stainless Steel Submersible Pumps



S - 55 GPM

Two Wire Single Phase

| Part No. | Model No. | HP | Stages | Volt | Wt. | Price |
|----------|-----------|-------|--------|------|-----|------------|
| 6630-181 | 24150S2 | 1 1/2 | 5 | 230 | 40 | \$3,973.74 |

Three Wire Single Phase

| Part No. | Model No. | HP | Stages | Volt | Wt. | Price |
|----------|-----------|-------|--------|------|-----|------------|
| 6630-182 | 24150S3 | 1 1/2 | 5 | 230 | 43 | \$4,256.99 |
| 6630-189 | 24200S3 | 2 | 7 | 230 | 48 | \$4,777.14 |
| 6630-196 | 24300S3 | 3 | 9 | 230 | 60 | \$6,112.02 |
| 6630-203 | 24500S3 | 5 | 15 | 230 | 95 | \$7,609.64 |

Three Wire Three Phase

| Part No. | Model No. | HP | Stages | Volt | Wt. | Price |
|----------|-----------|-------|--------|------|-----|-------------|
| 6630-186 | 24150S3Z | 1 1/2 | 5 | 230 | 38 | \$4,908.98 |
| 6630-184 | 24150S3Y | 1 1/2 | 5 | 460 | 38 | \$4,815.25 |
| 6630-193 | 24200S3Z | 2 | 7 | 230 | 44 | \$5,446.64 |
| 6630-191 | 24200S3Y | 2 | 7 | 460 | 44 | \$5,446.64 |
| 6630-200 | 24300S3Z | 3 | 9 | 230 | 50 | \$6,271.67 |
| 6630-198 | 24300S3Y | 3 | 9 | 460 | 51 | \$6,271.67 |
| 6630-207 | 24500S3Z | 5 | 15 | 230 | 74 | \$8,492.35 |
| 6630-205 | 24500S3Y | 5 | 15 | 460 | 72 | \$8,492.35 |
| 6630-212 | 24750S3Z | 7 1/2 | 22 | 230 | 96 | \$10,087.82 |
| 6630-210 | 24750S3Y | 7 1/2 | 22 | 460 | 94 | \$10,087.82 |
| 6630-215 | 241000S3Y | 10 | 29 | 460 | 106 | \$14,687.80 |

Q - 60 GPM

Two Wire Single Phase

| Part No. | Model No. | HP | Stages | Volt | Wt. | Price |
|----------|-----------|-------|--------|------|-----|------------|
| 6630-128 | 24150Q2 | 1 1/2 | 4 | 230 | 40 | \$3,594.70 |

Three Wire Single Phase

| Part No. | Model No. | HP | Stages | Volt | Wt. | Price |
|----------|-----------|-------|--------|------|-----|------------|
| 6630-129 | 24150Q3 | 1 1/2 | 4 | 230 | 43 | \$3,597.79 |
| 6630-136 | 24200Q3 | 2 | 5 | 230 | 48 | \$4,124.12 |
| 6630-143 | 24300Q3 | 3 | 7 | 230 | 60 | \$5,876.15 |
| 6630-150 | 24500Q3 | 5 | 11 | 230 | 95 | \$7,637.45 |

Three Wire Three Phase

| Part No. | Model No. | HP | Stages | Volt | Wt. | Price |
|----------|-----------|-------|--------|------|-----|------------|
| 6630-133 | 24150Q3Z | 1 1/2 | 4 | 230 | 38 | \$4,435.18 |
| 6630-131 | 24150Q3Y | 1 1/2 | 4 | 460 | 38 | \$4,435.18 |
| 6630-140 | 24200Q3Z | 2 | 5 | 230 | 44 | \$4,665.90 |
| 6630-138 | 24200Q3Y | 2 | 5 | 460 | 44 | \$4,665.90 |
| 6630-147 | 24300Q3Z | 3 | 7 | 230 | 50 | \$5,889.54 |
| 6630-145 | 24300Q3Y | 3 | 7 | 460 | 51 | \$5,889.54 |
| 6630-154 | 24500Q3Z | 5 | 11 | 230 | 74 | \$7,154.38 |
| 6630-152 | 24500Q3Y | 5 | 11 | 460 | 72 | \$7,154.38 |
| 6630-159 | 24750Q3Z | 7 1/2 | 17 | 230 | 96 | \$8,212.19 |
| 6630-157 | 24750Q3Y | 7 1/2 | 17 | 460 | 94 | \$8,212.19 |

T - 80 GPM

Three Wire Single Phase

| Part No. | Model No. | HP | Stages | Volt | Wt. | Price |
|----------|-----------|----|--------|------|-----|------------|
| 6630-162 | 24300T3 | 3 | 5 | 230 | 58 | \$5,749.46 |
| 6630-169 | 24500T3 | 5 | 9 | 230 | 92 | \$7,562.26 |

Three Wire Three Phase

| Part No. | Model No. | HP | Stages | Volt | Wt. | Price |
|----------|-----------|-------|--------|------|-----|------------|
| 6630-166 | 24300T3Z | 3 | 5 | 230 | 49 | \$5,769.03 |
| 6630-164 | 24300T3Y | 3 | 5 | 460 | 49 | \$5,769.03 |
| 6630-173 | 24500T3Z | 5 | 9 | 230 | 71 | \$7,079.19 |
| 6630-171 | 24500T3Y | 5 | 9 | 460 | 69 | \$7,079.19 |
| 6630-178 | 24750T3Z | 7 1/2 | 14 | 230 | 93 | \$8,854.91 |
| 6630-176 | 24750T3Y | 7 1/2 | 14 | 460 | 91 | \$8,854.91 |

High Flow Stainless Steel Pump Ends



R - 35 GPM

| Part No. | Model No. | HP | Wt. | Price |
|----------|-----------|-------|-----|------------|
| 6630-052 | 24100R | 1 | 8 | \$1,610.92 |
| 6630-056 | 24150R | 1 1/2 | 9 | \$1,652.12 |
| 6630-064 | 24200R | 2 | 10 | \$1,976.57 |
| 6630-071 | 24300R | 3 | 13 | \$2,488.48 |
| 6630-078 | 24500R | 5 | 18 | \$3,323.81 |
| 6630-085 | 24750R | 7 1/2 | 26 | \$4,004.64 |
| 6630-090 | 241000R | 10 | 31 | \$5,775.21 |

G - 40 GPM

| Part No. | Model No. | HP | Wt. | Price |
|----------|-----------|-------|-----|------------|
| 6630-093 | 24150G | 1 1/2 | 7 | \$1,987.90 |
| 6630-101 | 24200G | 2 | 8 | \$2,232.01 |
| 6630-108 | 24300G | 3 | 9 | \$2,838.68 |
| 6630-115 | 24500G | 5 | 13 | \$3,829.54 |
| 6630-122 | 24750G | 7 1/2 | 17 | \$4,625.73 |

S - 55 GPM

| Part No. | Model No. | HP | Wt. | Price |
|----------|-----------|-------|-----|------------|
| 6630-180 | 24150S | 1 1/2 | 10 | \$2,221.71 |
| 6630-188 | 24200S | 2 | 12 | \$2,640.92 |
| 6630-195 | 24300S | 3 | 13 | \$2,797.48 |
| 6630-202 | 24500S | 5 | 20 | \$3,599.85 |
| 6630-209 | 24750S | 7 1/2 | 27 | \$4,230.21 |
| 6630-214 | 241000S | 10 | 35 | \$5,118.07 |

Q - 60 GPM

| Part No. | Model No. | HP | Wt. | Price |
|----------|-----------|-------|-----|------------|
| 6630-127 | 24150Q | 1 1/2 | 9 | \$1,841.64 |
| 6630-135 | 24200Q | 2 | 10 | \$1,983.78 |
| 6630-142 | 24300Q | 3 | 12 | \$2,608.99 |
| 6630-149 | 24500Q | 5 | 16 | \$3,327.93 |
| 6630-156 | 24750Q | 7 1/2 | 22 | \$3,747.14 |

T - 80 GPM

| Part No. | Model No. | HP | Wt. | Price |
|----------|-----------|-------|-----|------------|
| 6630-161 | 24300T | 3 | 10 | \$2,488.48 |
| 6630-168 | 24500T | 5 | 15 | \$3,256.86 |
| 6630-175 | 24750T | 7 1/2 | 22 | \$4,389.86 |

25000 Series - 4" Thermoplastic Submersible Pumps

25

Series
Thermoplastic

150

Horsepower
050 - 1/2 HP
075 - 3/4 HP
100 - 1 HP
150 - 1 1/2 HP
200 - 2 HP

K

GPM
J - 5 GPM
V - 7 GPM
K - 10 GPM
L - 15 GPM
P - 20 GPM
M - 25 GPM

2

Wires
Two wire or
Three wire

Other

Leave blank for 230V
60 HZ, Single Phase (Standard)
A - 115V Single Phase
**Other Options -
Contact Factory**
Z - 230V Three Phase
Y - 460V Three Phase

Controls

Leave blank for
Control (Standard)
LB - Less box
(Single Phase Option)
LS - Less starter
(Three Phase Option)

Model 25150K2 is a 1 1/2 HP, two wire, 230 volt, single phase stainless steel 4" high flow submersible pump, designed to pump in the 10 GPM range.

NOTES

- Standard is 230V, Single Phase, 60 HZ (no suffix letter required)
- Two-Wire Single phase models include; pump, motor, leads
- Three-Wire Single phase models include; pump, motor, leads, and control box
- Three-Wire Three phase models include; pump, motor, leads, and starter kit
- All submersible pumps include internal check valves and grounded lead on motor.



J - 5 GPM

Two Wire Single Phase

| Part No. | Model No. | HP | Stages | Volt | Wt. | Price |
|----------|-----------|-----|--------|------|-----|------------|
| 6630-867 | 25050J2A | 1/2 | 12 | 115V | 30 | \$1,395.65 |
| 6630-437 | 25050J2 | 1/2 | 12 | 230V | 30 | \$1,395.65 |
| 6630-436 | 25075J2 | 3/4 | 15 | 230V | 30 | \$1,710.83 |

Three Wire Single Phase

| Part No. | Model No. | HP | Stages | Volt | Wt. | Price |
|----------|-----------|-----|--------|------|-----|------------|
| 6630-872 | 25050J3A | 1/2 | 12 | 115V | 25 | \$1,515.13 |
| 6630-458 | 25050J3 | 1/2 | 12 | 230V | 30 | \$1,515.13 |
| 6630-457 | 25075J3 | 3/4 | 15 | 230V | 33 | \$1,808.68 |

V - 7 GPM

Two Wire Single Phase

| Part No. | Model No. | HP | Stages | Volt | Wt. | Price |
|----------|-----------|-----|--------|------|-----|------------|
| 6630-868 | 25050V2A | 1/2 | 10 | 115V | 30 | \$1,256.60 |
| 6630-440 | 25050V2 | 1/2 | 10 | 230V | 30 | \$1,256.60 |
| 6630-439 | 25075V2 | 3/4 | 13 | 230V | 32 | \$1,603.71 |
| 6630-438 | 25100V2 | 1 | 17 | 230V | 40 | \$1,857.09 |

Three Wire Single Phase

| Part No. | Model No. | HP | Stages | Volt | Wt. | Price |
|----------|-----------|-----|--------|------|-----|------------|
| 6630-873 | 25050V3A+ | 1/2 | 10 | 115V | 29 | \$1,374.02 |
| 6630-461 | 25050V3 | 1/2 | 10 | 230V | 29 | \$1,374.02 |
| 6630-460 | 25075V3 | 3/4 | 13 | 230V | 32 | \$1,695.38 |
| 6630-459 | 25100V3 | 1 | 17 | 230V | 37 | \$1,916.83 |

K - 10 GPM

Two Wire Single Phase

| Part No. | Model No. | HP | Stages | Volt | Wt. | Price |
|----------|-----------|-------|--------|------|-----|------------|
| 6630-503 | 25050K2A | 1/2 | 7 | 115V | 28 | \$1,119.61 |
| 6630-444 | 25050K2 | 1/2 | 7 | 230V | 28 | \$1,119.61 |
| 6630-443 | 25075K2 | 3/4 | 10 | 230V | 32 | \$1,392.56 |
| 6630-442 | 25100K2 | 1 | 12 | 230V | 38 | \$1,616.07 |
| 6630-441 | 25150K2 | 1 1/2 | 17 | 230V | 42 | \$2,321.62 |

Three Wire Single Phase

| Part No. | Model No. | HP | Stages | Volt | Wt. | Price |
|----------|-----------|-------|--------|------|-----|------------|
| 6630-874 | 25050K3A | 1/2 | 7 | 115V | 28 | \$1,242.18 |
| 6630-465 | 25050K3 | 1/2 | 7 | 230V | 28 | \$1,159.00 |
| 6630-464 | 25075K3 | 3/4 | 10 | 230V | 31 | \$1,487.32 |
| 6630-463 | 25100K3 | 1 | 12 | 230V | 35 | \$1,684.05 |
| 6630-462 | 25150K3 | 1 1/2 | 17 | 230V | 41 | \$2,199.05 |

L - 15 GPM

Two Wire Single Phase

| Part No. | Model No. | HP | Stages | Volt | Wt. | Price |
|----------|-----------|-------|--------|------|-----|------------|
| 6630-869 | 25050L2A | 1/2 | 5 | 115V | 30 | \$1,446.12 |
| 6630-448 | 25050L2 | 1/2 | 5 | 230V | 27 | \$1,446.12 |
| 6630-447 | 25075L2 | 3/4 | 7 | 230V | 27 | \$1,756.15 |
| 6630-446 | 25100L2 | 1 | 10 | 230V | 37 | \$1,935.37 |
| 6630-445 | 25150L2 | 1 1/2 | 12 | 230V | 39 | \$2,149.61 |

Three Wire Single Phase

| Part No. | Model No. | HP | Stages | Volt | Wt. | Price |
|----------|-----------|-------|--------|------|-----|------------|
| 6630-875 | 25050L3A | 1/2 | 5 | 115V | 28 | \$1,518.22 |
| 6630-469 | 25050L3 | 1/2 | 5 | 230V | 28 | \$1,518.22 |
| 6630-468 | 25075L3 | 3/4 | 7 | 230V | 30 | \$1,679.93 |
| 6630-467 | 25100L3 | 1 | 10 | 230V | 34 | \$2,008.50 |
| 6630-466 | 25150L3 | 1 1/2 | 12 | 230V | 39 | \$2,345.31 |

25000 Series - 4" Thermoplastic Submersible Pump Ends

Thermoplastic Submersible Pumps

P - 20 GPM

Two Wire Single Phase

| Part No. | Model No. | HP | Stages | Volt | Wt. | Price |
|----------|-----------|-------|--------|------|-----|------------|
| 6630-870 | 25050P2A | 1/2 | 5 | 115V | 25 | \$1,363.72 |
| 6630-452 | 25050P2 | 1/2 | 5 | 230V | 25 | \$1,363.72 |
| 6630-451 | 25075P2 | 3/4 | 6 | 230V | 27 | \$1,451.27 |
| 6630-450 | 25100P2 | 1 | 8 | 230V | 36 | \$1,620.19 |
| 6630-449 | 25150P2 | 1 1/2 | 11 | 230V | 40 | \$2,241.28 |

Three Wire Single Phase

| Part No. | Model No. | HP | Stages | Volt | Wt. | Price |
|----------|-----------|-------|--------|------|-----|------------|
| 6630-876 | 25050P3A | 1/2 | 5 | 115V | 28 | \$1,330.76 |
| 6630-474 | 25050P3 | 1/2 | 5 | 230V | 28 | \$1,330.76 |
| 6630-473 | 25075P3 | 3/4 | 6 | 230V | 30 | \$1,546.03 |
| 6630-472 | 25100P3 | 1 | 8 | 230V | 34 | \$1,686.11 |
| 6630-471 | 25150P3 | 1 1/2 | 11 | 230V | 42 | \$2,346.34 |
| 6630-470 | 25200P3 | 2 | 14 | 230V | 33 | \$3,534.96 |

M - 25 GPM

Two Wire Single Phase

| Part No. | Model No. | HP | Stages | Volt | Wt. | Price |
|----------|-----------|-------|--------|------|-----|------------|
| 6630-871 | 25050M2A | 1/2 | 4 | 115V | 25 | \$1,461.57 |
| 6630-456 | 25050M2 | 1/2 | 4 | 230V | 25 | \$1,461.57 |
| 6630-455 | 25075M2 | 3/4 | 5 | 230V | 25 | \$1,624.31 |
| 6630-454 | 25100M2 | 1 | 7 | 230V | 30 | \$1,669.63 |
| 6630-453 | 25150M2 | 1 1/2 | 9 | 230V | 39 | \$2,212.44 |

Three Wire Single Phase

| Part No. | Model No. | HP | Stages | Volt | Wt. | Price |
|----------|-----------|-------|--------|------|-----|------------|
| 6630-877 | 25050M3A | 1/2 | 4 | 115V | 28 | \$1,382.26 |
| 6630-479 | 25050M3 | 1/2 | 4 | 230V | 28 | \$1,382.26 |
| 6630-478 | 25075M3 | 3/4 | 5 | 230V | 28 | \$1,549.12 |
| 6630-477 | 25100M3 | 3/4 | 7 | 230V | 34 | \$1,708.77 |
| 6630-476 | 25150M3 | 1 1/2 | 9 | 230V | 39 | \$2,338.10 |
| 6630-475 | 25200M3 | 2 | 11 | 230V | 45 | \$2,738.77 |



J - 5 GPM

| Part No. | Model No. | HP | Wt. | Price |
|----------|-----------|-----|-----|----------|
| 6630-414 | 25050J | 1/2 | 8 | \$590.00 |
| 6630-413 | 25075J | 3/4 | 9 | \$743.00 |

V - 7 GPM

| Part No. | Model No. | HP | Wt. | Price |
|----------|-----------|-----|-----|----------|
| 6630-417 | 25050V | 1/2 | 7 | \$432.00 |
| 6630-416 | 25075V | 3/4 | 8 | \$617.00 |
| 6630-415 | 25100V | 1 | 10 | \$820.00 |

K - 10 GPM

| Part No. | Model No. | HP | Wt. | Price |
|----------|-----------|-------|-----|----------|
| 6630-421 | 25050K | 1/2 | 6 | \$323.00 |
| 6630-420 | 25075K | 3/4 | 7 | \$378.00 |
| 6630-419 | 25100K | 1 | 8 | \$545.00 |
| 6630-418 | 25150K | 1 1/2 | 10 | \$956.00 |

L - 15 GPM

| Part No. | Model No. | HP | Wt. | Price |
|----------|-----------|-------|-----|----------|
| 6630-425 | 25050L | 1/2 | 6 | \$481.00 |
| 6630-424 | 25075L | 3/4 | 6 | \$367.00 |
| 6630-423 | 25100L | 1 | 7 | \$387.00 |
| 6630-422 | 25150L | 1 1/2 | 8 | \$481.00 |

P - 20 GPM

| Part No. | Model No. | HP | Wt. | Price |
|----------|-----------|-------|-----|----------|
| 6630-430 | 25050P | 1/2 | 6 | \$406.00 |
| 6630-429 | 25075P | 3/4 | 6 | \$442.00 |
| 6630-428 | 25100P | 1 | 7 | \$551.00 |
| 6630-427 | 25150P | 1 1/2 | 8 | \$862.00 |
| 6630-426 | 25200P | 2 | 9 | \$933.00 |

M - 25 GPM

| Part No. | Model No. | HP | Wt. | Price |
|----------|-----------|-------|-----|----------|
| 6630-435 | 25050M | 1/2 | 5 | \$509.00 |
| 6630-434 | 25075M | 3/4 | 6 | \$561.00 |
| 6630-433 | 25100M | 1 | 7 | \$638.00 |
| 6630-432 | 25150M | 1 1/2 | 8 | \$865.00 |
| 6630-431 | 25200M | 2 | 9 | \$964.00 |

26000 Series - 4" All Stainless Steel Submersible Pumps

26

Series
4" Submersible
All Stainless Steel
Pumps are **Model 26**

050

Horsepower
050 - 1/2 HP
075 - 3/4 HP
100 - 1 HP
150 - 1 1/2 HP
200 - 2 HP
300 - 3 HP
500 - 5 HP
750 - 7 1/2 HP
1000 - 10 HP

K

GPM
J - 5 GPM
K - 10 GPM
P - 18 GPM
M - 25 GPM
G - 40 GPM
H - 70 GPM

3

Wires
Two wire or
Three wire

A

Other
Leave blank for 230V
60 HZ, Single Phase (Standard)
A - 115V Single Phase
Other Options -
Contact Factory
Z - 230V Three Phase
Y - 460V Three Phase

Controls
Leave blank for
Control (Standard)
LB - Less box
(Single Phase Option)
LS - Less starter
(Three Phase Option)

NOTES

- Standard is 230V, Single Phase, 60 HZ (no suffix letter required)
- Two-Wire Single phase models include; pump, motor, leads
- Three-Wire Single phase models include; pump, motor, leads, and control box
- Three-Wire Three phase models include; pump, motor, leads, and starter kit
- All submersible pumps include internal check valves and grounded lead on motor.

Model 26050K2A is a 1/2 HP, two wire, 115 volt, single phase All Stainless Steel 4" submersible pump, designed to pump in the 10 GPM range.



J - 5 GPM

Two Wire Single Phase

| Part No. | Model No. | HP | Stages | Volt | Wt. | Price |
|----------|-----------|-------|--------|------|-----|------------|
| 6636-040 | 26050J2A | 1/2 | 13 | 115 | 27 | \$1,841.64 |
| 6636-039 | 26050J2 | 1/2 | 13 | 230 | 26 | \$1,841.64 |
| 6636-041 | 26075J2 | 3/4 | 18 | 230 | 32 | \$2,362.82 |
| 6636-042 | 26100J2 | 1 | 22 | 230 | 35 | \$2,809.84 |
| 6636-043 | 26150J2 | 1 1/2 | 26 | 230 | 41 | \$3,201.24 |

Three Wire Single Phase

| Part No. | Model No. | HP | Stages | Volt | Wt. | Price |
|----------|-----------|-------|--------|------|-----|------------|
| 6636-046 | 26050J3A | 1/2 | 13 | 115 | 28 | \$1,943.61 |
| 6636-044 | 26050J3 | 1/2 | 13 | 230 | 28 | \$1,943.61 |
| 6636-048 | 26075J3 | 3/4 | 18 | 230 | 34 | \$2,432.86 |
| 6636-050 | 26100J3 | 1 | 22 | 230 | 37 | \$2,880.91 |
| 6636-052 | 26150J3 | 1 1/2 | 26 | 230 | 43 | \$3,654.44 |
| 6636-054 | 26200J3 | 2 | 31 | 230 | 45 | \$5,964.73 |

K - 10 GPM

Two Wire Single Phase

| Part No. | Model No. | HP | Stages | Volt | Wt. | Price |
|----------|-----------|-------|--------|------|-----|------------|
| 6636-057 | 26050K2A | 1/2 | 9 | 115 | 29 | \$1,475.99 |
| 6636-056 | 26050K2 | 1/2 | 9 | 230 | 28 | \$1,475.99 |
| 6636-058 | 26075K2 | 3/4 | 12 | 230 | 32 | \$2,023.95 |
| 6636-059 | 26100K2 | 1 | 15 | 230 | 41 | \$2,338.10 |
| 6636-060 | 26150K2 | 1 1/2 | 21 | 230 | 40 | \$2,722.29 |

Three Wire Single Phase

| Part No. | Model No. | HP | Stages | Volt | Wt. | Price |
|----------|-----------|-------|--------|------|-----|------------|
| 6636-063 | 26050K3A | 1/2 | 9 | 115 | 27 | \$1,591.35 |
| 6636-061 | 26050K3 | 1/2 | 9 | 230 | 27 | \$1,591.35 |
| 6636-065 | 26075K3 | 3/4 | 12 | 230 | 31 | \$2,093.99 |
| 6636-067 | 26100K3 | 1 | 15 | 230 | 34 | \$2,365.91 |
| 6636-069 | 26150K3 | 1 1/2 | 21 | 230 | 42 | \$3,095.15 |
| 6636-071 | 26200K3 | 2 | 27 | 230 | 47 | \$3,426.81 |
| 6636-073 | 26300K3 | 3 | 34 | 230 | 75 | \$5,316.86 |

P - 18 GPM

Two Wire Single Phase

| Part No. | Model No. | HP | Stages | Volt | Wt. | Price |
|----------|-----------|-------|--------|------|-----|------------|
| 6636-076 | 26050P2A | 1/2 | 5 | 115 | 23 | \$1,582.08 |
| 6636-075 | 26050P2 | 1/2 | 5 | 230 | 24 | \$1,582.08 |
| 6636-077 | 26075P2 | 3/4 | 7 | 230 | 27 | \$2,017.77 |
| 6636-078 | 26100P2 | 1 | 9 | 230 | 37 | \$2,188.75 |
| 6636-079 | 26150P2 | 1 1/2 | 13 | 230 | 43 | \$2,254.67 |

Three Wire Single Phase

| Part No. | Model No. | HP | Stages | Volt | Wt. | Price |
|----------|-----------|-------|--------|------|-----|------------|
| 6636-082 | 26050P3A | 1/2 | 5 | 115 | 25 | \$1,690.23 |
| 6636-080 | 26050P3 | 1/2 | 5 | 230 | 25 | \$1,690.23 |
| 6636-084 | 26075P3 | 3/4 | 7 | 230 | 29 | \$2,085.75 |
| 6636-086 | 26100P3 | 1 | 9 | 230 | 32 | \$2,255.70 |
| 6636-088 | 26150P3 | 1 1/2 | 13 | 230 | 38 | \$2,708.90 |
| 6636-090 | 26200P3 | 2 | 17 | 230 | 42 | \$3,222.87 |
| 6636-092 | 26300P3 | 3 | 23 | 230 | 69 | \$4,334.24 |
| 6636-094 | 26500P3 | 5 | 36 | 230 | 86 | \$6,157.34 |

M - 25 GPM

Two Wire Single Phase

| Part No. | Model No. | HP | Stages | Volt | Wt. | Price |
|----------|-----------|-------|--------|------|-----|------------|
| 6636-097 | 26050M2A | 1/2 | 4 | 115 | 24 | \$1,728.34 |
| 6636-096 | 26050M2 | 1/2 | 4 | 230 | 23 | \$1,728.34 |
| 6636-098 | 26075M2 | 3/4 | 5 | 230 | 29 | \$2,060.00 |
| 6636-099 | 26100M2 | 1 | 7 | 230 | 29 | \$2,279.39 |
| 6636-100 | 26150M2 | 1 1/2 | 9 | 230 | 41 | \$2,424.62 |

Three Wire Single Phase

| Part No. | Model No. | HP | Stages | Volt | Wt. | Price |
|----------|-----------|-------|--------|------|-----|------------|
| 6636-103 | 26050M3A | 1/2 | 4 | 115 | 25 | \$1,835.46 |
| 6636-101 | 26050M3 | 1/2 | 4 | 230 | 25 | \$1,835.46 |
| 6636-105 | 26075M3 | 3/4 | 5 | 230 | 28 | \$2,136.22 |
| 6636-107 | 26100M3 | 1 | 7 | 230 | 31 | \$2,350.46 |
| 6636-109 | 26150M3 | 1 1/2 | 9 | 230 | 36 | \$2,875.76 |
| 6636-111 | 26200M3 | 2 | 11 | 230 | 40 | \$3,209.48 |
| 6636-113 | 26300M3 | 3 | 15 | 230 | 65 | \$4,226.09 |
| 6636-115 | 26500M3 | 5 | 26 | 230 | 81 | \$5,775.21 |

26000 Series - 4" All Stainless Steel Submersible Pumps



G - 40 GPM

Two Wire Single Phase

| Part No. | Model No. | HP | Stages | Volt | Wt. | Price |
|----------|-----------|-------|--------|------|-----|------------|
| 6636-119 | 26100G2 | 1 | 4 | 230 | 31 | \$2,108.41 |
| 6636-120 | 26150G2 | 1 1/2 | 5 | 230 | 43 | \$2,560.58 |

Three Wire Single Phase

| Part No. | Model No. | HP | Stages | Volt | Wt. | Price |
|----------|-----------|-------|--------|------|-----|------------|
| 6636-121 | 26100G3 | 1 | 4 | 230 | 33 | \$2,528.65 |
| 6636-123 | 26150G3 | 1 1/2 | 5 | 230 | 37 | \$2,921.08 |
| 6636-125 | 26200G3 | 2 | 7 | 230 | 44 | \$3,525.69 |
| 6636-127 | 26300G3 | 3 | 9 | 230 | 70 | \$4,194.16 |
| 6636-129 | 26500G3 | 5 | 12 | 230 | 84 | \$5,976.06 |

H - 70 GPM

Three Wire Single Phase

| Part No. | Model No. | HP | Stages | Volt | Wt. | Price |
|----------|-----------|----|--------|------|-----|------------|
| 6636-135 | 26200H3 | 2 | 3 | 230 | 40 | \$3,173.43 |
| 6636-137 | 26300H3 | 3 | 5 | 230 | 66 | \$4,420.76 |
| 6636-139 | 26500H3 | 5 | 8 | 230 | 81 | \$6,144.98 |



M - 25 GPM

| Part No. | Model No. | HP | Wt. | Price |
|----------|-----------|-------|-----|------------|
| 6636-018 | 26050M | 1/2 | 5 | \$957.00 |
| 6636-019 | 26075M | 3/4 | 5 | \$1,146.39 |
| 6636-020 | 26100M | 1 | 6 | \$1,320.46 |
| 6636-021 | 26150M | 1 1/2 | 7 | \$1,486.29 |
| 6636-022 | 26200M | 2 | 8 | \$1,728.34 |
| 6636-023 | 26300M | 3 | 9 | \$1,981.72 |
| 6636-024 | 26500M | 5 | 15 | \$2,888.12 |
| 6636-025 | 26750M | 7 1/2 | 27 | \$5,803.02 |

G - 40 GPM

| Part No. | Model No. | HP | Wt. | Price |
|----------|-----------|-------|-----|-------------|
| 6636-026 | 26100G | 1 | 8 | \$1,307.07 |
| 6636-027 | 26150G | 1 1/2 | 9 | \$1,520.28 |
| 6636-028 | 26200G | 2 | 12 | \$1,717.01 |
| 6636-029 | 26300G | 3 | 14 | \$2,027.04 |
| 6636-030 | 26500G | 5 | 21 | \$4,068.50 |
| 6636-031 | 26750G | 7 1/2 | 27 | \$7,473.68 |
| 6636-032 | 261000G | 10 | 36 | \$10,792.34 |

H - 70 GPM

| Part No. | Model No. | HP | Wt. | Price |
|----------|-----------|-------|-----|------------|
| 6636-033 | 26200H | 2 | 8 | \$1,695.38 |
| 6636-034 | 26300H | 3 | 10 | \$2,178.45 |
| 6636-035 | 26500H | 5 | 17 | \$4,445.48 |
| 6636-036 | 26750H | 7 1/2 | 23 | \$5,262.27 |
| 6636-037 | 261000H | 10 | 29 | \$7,708.52 |

Stainless Steel Pump Ends



J - 5 GPM

| Part No. | Model No. | HP | Wt. | Price |
|----------|-----------|-------|-----|------------|
| 6636-000 | 26050J | 1/2 | 8 | \$1,114.46 |
| 6636-001 | 26075J | 3/4 | 11 | \$1,487.32 |
| 6636-002 | 26100J | 1 | 12 | \$1,909.62 |
| 6636-003 | 26150J | 1 1/2 | 14 | \$2,219.65 |
| 6636-004 | 26200J | 2 | 16 | \$3,626.63 |

K - 10 GPM

| Part No. | Model No. | HP | Wt. | Price |
|----------|-----------|-------|-----|------------|
| 6636-005 | 26050K | 1/2 | 7 | \$712.00 |
| 6636-006 | 26075K | 3/4 | 8 | \$1,107.25 |
| 6636-007 | 26100K | 1 | 9 | \$1,378.14 |
| 6636-008 | 26150K | 1 1/2 | 13 | \$1,813.83 |
| 6636-009 | 26200K | 2 | 16 | \$1,943.61 |
| 6636-010 | 26300K | 3 | 24 | \$3,075.58 |

P - 18 GPM

| Part No. | Model No. | HP | Wt. | Price |
|----------|-----------|-------|-----|------------|
| 6636-011 | 26050P | 1/2 | 6 | \$799.00 |
| 6636-012 | 26075P | 3/4 | 6 | \$1,087.68 |
| 6636-013 | 26100P | 1 | 7 | \$1,208.19 |
| 6636-014 | 26150P | 1 1/2 | 9 | \$1,291.62 |
| 6636-015 | 26200P | 2 | 10 | \$1,745.85 |
| 6636-016 | 26300P | 3 | 13 | \$2,050.73 |
| 6636-017 | 26500P | 5 | 26 | \$3,271.28 |

Baker Submersible Motors

Baker Submersible Motors

4" Water Well - Two Wire - Single Phase - 60 HZ



| Part No. | Model No. | HP | Volt | Wt. | Price |
|----------|-------------------|-------|------|-----|------------|
| 3132-008 | SM0412 0.5HP115V | 1/2 | 115 | 22 | \$1,239.09 |
| 3132-005 | SM0412 0.5HP230V | 1/2 | 230 | 22 | \$1,239.09 |
| 3132-006 | SM0412 0.75HP230V | 3/4 | 230 | 24 | \$1,494.53 |
| 3132-007 | SM0412 1HP230V | 1 | 230 | 29 | \$1,598.56 |
| 3132-009 | SM0412 1.5HP230V | 1 1/2 | 230 | 34 | \$1,741.73 |

4" Water Well - Three Wire - Single Phase - 60 HZ (Control Box Required)



| Part No. | Model No. | HP | Volt | Wt. | Price |
|----------|-------------------|-------|------|-----|------------|
| 3132-003 | SM0413 0.5HP115V | 1/2 | 115 | 20 | \$1,070.17 |
| 3132-004 | SM0413 0.5HP230V | 1/2 | 230 | 20 | \$1,070.17 |
| 3132-000 | SM0413 0.75HP230V | 3/4 | 230 | 21 | \$1,263.81 |
| 3132-001 | SM0413 1HP230V | 1 | 230 | 28 | \$1,319.43 |
| 3132-002 | SM0413 1.5HP230V | 1 1/2 | 230 | 33 | \$1,377.11 |
| 3132-510 | SM0413 2HP230V | 2 | 230 | 33 | \$1,548.09 |
| 3132-512 | SM0413 3HP230V | 3 | 230 | 39 | \$2,447.28 |
| 3132-513 | SM0413 5HP230V | 5 | 230 | 60 | \$2,989.06 |

4" Water Well - Three Wire - Three Phase - 60 HZ (Starter Kit Required)

| Part No. | Model No. | HP | Volt | Wt. | Price |
|----------|-------------------|-------|------|-----|------------|
| 3132-525 | SM0433 0.5HP230V | 1/2 | 230 | 16 | \$1,237.03 |
| 3132-526 | SM0433 0.5HP460V | | 460 | 16 | \$1,237.03 |
| 3132-527 | SM0433 0.75HP230V | 3/4 | 230 | 19 | \$1,418.31 |
| 3132-528 | SM0433 0.75HP460V | | 460 | 19 | \$1,418.31 |
| 3132-529 | SM0433 1HP230V | 1 | 230 | 21 | \$1,513.07 |
| 3132-530 | SM0433 1HP460V | | 460 | 21 | \$1,513.07 |
| 3132-531 | SM0433 1.5HP230V | 1 1/2 | 230 | 26 | \$1,554.27 |
| 3132-532 | SM0433 1.5HP460V | | 460 | 26 | \$1,554.27 |
| 3132-533 | SM0433 1.5HP575V | | 575 | 26 | \$1,554.27 |
| 3132-534 | SM0433 2HP230V | 2 | 230 | 31 | \$1,643.88 |
| 3132-535 | SM0433 2HP460V | | 460 | 31 | \$1,643.88 |
| 3132-536 | SM0433 2HP575V | 3 | 575 | 31 | \$1,643.88 |
| 3132-514 | SM0433 3HP230V | | 230 | 41 | \$2,184.63 |
| 3132-515 | SM0433 3HP460V | | 460 | 41 | \$2,184.63 |
| 3132-516 | SM0433 3HP575V | 5 | 575 | 41 | \$2,184.63 |
| 3132-517 | SM0433 5HP230V | | 230 | 52 | \$2,710.96 |
| 3132-518 | SM0433 5HP460V | 7 1/2 | 460 | 52 | \$2,710.96 |
| 3132-519 | SM0433 5HP575V | | 575 | 52 | \$2,710.96 |
| 3132-520 | SM0433 7.5HP230V | | 230 | 60 | \$3,323.81 |
| 3132-521 | SM0433 7.5HP460V | 10 | 460 | 60 | \$3,323.81 |
| 3132-522 | SM0433 7.5HP575V | | 575 | 60 | \$3,323.81 |
| 3132-523 | SM0433 10HP460V | 10 | 460 | 69 | \$5,077.90 |
| 3132-524 | SM0433 10HP575V | | 575 | 69 | \$5,077.90 |

Baker Control Boxes

Standard

For use with three wire single phase submersible motors 1/2 through 1 HP. Capacitor start.



| Part No. | Model No. | HP | Volt | Wt. | Price |
|----------|--------------------|-----|------|-----|----------|
| 6619-004 | SC0413 0.5HP115VS | 1/2 | 115 | 3 | \$228.00 |
| 6619-005 | SC0413 0.5HP230VS | 1/2 | 230 | 2 | \$228.00 |
| 6619-014 | SC0413 0.75HP230VS | 3/4 | 230 | 2 | \$238.00 |
| 6619-015 | SC0413 1HP230VS | 1 | 230 | 3 | \$246.00 |

Standard

For use with three wire single phase submersible motors 1 1/2 through 5 HP. Capacitor start and Capacitor run.



| Part No. | Model No. | HP | Volt | Wt. | Price |
|----------|-------------------|-------|------|-----|------------|
| 6619-017 | SC0413 1.5HP230VS | 1 1/2 | 230 | 6 | \$365.00 |
| 6619-006 | SC0413 2HP230VS | 2 | 230 | 6 | \$570.00 |
| 6619-007 | SC0413 3HP230VS | 3 | 230 | 7 | \$710.00 |
| 6619-008 | SC0413 5HP230VS | 5 | 230 | 6 | \$1,072.23 |

Deluxe

For use with three wire single phase submersible motors 1/2 through 5 HP. Includes Magnetic Line Contactor, Capacitor start and Capacitor run.



| Part No. | Model No. | HP | Volt | Wt. | Price |
|----------|-------------------|-------|------|-----|------------|
| 6619-013 | SC0413 1.5HP230VD | 1 1/2 | 230 | 6 | \$538.00 |
| 6619-010 | SC0413 2HP230VD | 2 | 230 | 6 | \$804.00 |
| 6619-011 | SC0413 3HP230VD | 3 | 230 | 6 | \$932.00 |
| 6619-016 | SC0413 5HP230VD | 5 | 230 | 9 | \$1,223.64 |

AutoDRIVE, Starter Kits and Pumptec

AutoDRIVE VARIABLE FREQUENCY DRIVE

115V / 230V | Single Phase Output
1/2 HP to 2 HP
2-Wire & 3-Wire Motors

230V | Three Phase Output
2 HP to 5 HP



| Part No. | Model No. | HP | Wt. | Price |
|----------|------------------------------|------|-----|------------|
| 6619-018 | SD1-2HP2PS w/Pressure Switch | 2 HP | 13 | \$1,845.76 |
| 6619-019 | SD1-2HP2 w/Transducer | 2 HP | 13 | \$2,202.14 |
| 6619-020 | SD3-2HP2* | 2 HP | 13 | \$2,538.95 |
| 6619-021 | SD3-3HP2 | 3 HP | 13 | \$2,975.67 |
| 6619-022 | SD3-5HP2 | 5 HP | 13 | \$4,890.44 |

Starter Kits

IEC Starter Kits for three phase motors
Each kit includes Nema1 enclosure, contactor, and overload assembled with the correct voltage coil needed



Starter Kits with 230V Coil

| Part No. | HP | Volt | Wt. | Price |
|----------|-------|------|-----|------------|
| 3131-303 | 1/2 | 230 | 5 | \$1,016.61 |
| 3131-304 | 3/4 | 230 | 5 | \$1,016.61 |
| 3131-305 | 1 | 230 | 5 | \$1,016.61 |
| 3131-306 | 1 1/2 | 230 | 5 | \$1,044.42 |
| 3131-307 | 2 | 230 | 5 | \$1,145.36 |
| 3131-308 | 3 | 230 | 5 | \$1,154.63 |
| 3131-309 | 5 | 230 | 5 | \$1,390.50 |
| 3131-310 | 7 1/2 | 230 | 6 | \$1,390.50 |
| 3131-311 | 10 | 230 | 9 | \$2,156.82 |

Starter Kits with 460V Coil

| Part No. | HP | Volt | Wt. | Price |
|----------|-------|------|-----|------------|
| 3131-316 | 1/2 | 460 | 5 | \$1,016.61 |
| 3131-317 | 3/4 | 460 | 5 | \$1,016.61 |
| 3131-318 | 1 | 460 | 5 | \$1,016.61 |
| 3131-319 | 1 1/2 | 460 | 5 | \$1,016.61 |
| 3131-320 | 2 | 460 | 5 | \$1,016.61 |
| 3131-321 | 3 | 460 | 5 | \$1,016.61 |
| 3131-322 | 5 | 460 | 5 | \$1,145.36 |
| 3131-323 | 7 1/2 | 460 | 5 | \$1,187.59 |
| 3131-324 | 10 | 460 | 5 | \$1,430.67 |

Starter Kits with 575V Coil

| Part No. | HP | Volt | Wt. | Price |
|----------|-------|------|-----|------------|
| 3131-333 | 1 1/2 | 575 | 10 | \$1,102.10 |
| 3131-334 | 2 & 3 | 575 | 10 | \$1,102.10 |
| 3131-335 | 5 | 575 | 10 | \$1,196.86 |
| 3131-336 | 7 1/2 | 575 | 10 | \$1,196.86 |
| 3131-337 | 10 | 575 | 10 | \$1,203.04 |

Pumptec



QD Pumptec

| Part No. | HP | Volt | Wt. | Price |
|----------|---------|------|-----|----------|
| 6617-145 | 1/3 - 1 | 230 | 1 | \$582.00 |



Pumptec - with Remote Reading

| Part No. | HP | Volt | Wt. | Price |
|----------|-------------|-----------|-----|----------|
| 6617-425 | 1/3 - 1 1/2 | 115 / 230 | 3 | \$827.00 |



Pumptec - Plus

| Part No. | HP | Volt | Wt. | Price |
|----------|---------|------|-----|------------|
| 6617-143 | 1/2 - 5 | 230 | 6 | \$1,620.19 |

AutoPAC

VARIABLE FREQUENCY DRIVE

115V / 230V | Single Phase Output

1/2 HP to 2HP

2-Wire & 3-Wire Motors

230V | Three Phase Output

2 HP, 3 HP, & 5 HP



AutoPAC

J - 5 GPM - 23000 Series

Two Wire Single Phase, w/Pressure Switch

| Part No. | Model No. | HP | Volt | Wt. | Price |
|----------|-------------|----------|------|-----|------------|
| 6630-583 | 23050J2-APS | 1/2 HP | 230V | 44 | \$4,155.02 |
| 6630-595 | 23075J2-APS | 3/4 HP | 230V | 47 | \$4,758.60 |
| 6630-607 | 23100J2-APS | 1 HP | 230V | 55 | \$5,429.13 |
| 6630-619 | 23150J2-APS | 1 1/2 HP | 230V | 64 | \$5,920.44 |

Three Wire Single Phase, w/Pressure Switch

| Part No. | Model No. | HP | Volt | Wt. | Price |
|----------|-------------|----------|------|-----|------------|
| 6630-631 | 23050J3-APS | 1/2 HP | 230V | 42 | \$3,980.95 |
| 6630-643 | 23075J3-APS | 3/4 HP | 230V | 44 | \$4,525.82 |
| 6630-655 | 23100J3-APS | 1 HP | 230V | 54 | \$5,146.91 |
| 6630-667 | 23150J3-APS | 1 1/2 HP | 230V | 63 | \$5,549.64 |

Two Wire Single Phase, w/Transducer

| Part No. | Model No. | HP | Volt | Wt. | Price |
|----------|-------------|----------|------|-----|------------|
| 6630-577 | 23050J2-APT | 1/2 HP | 230V | 44 | \$4,514.49 |
| 6630-589 | 23075J2-APT | 3/4 HP | 230V | 47 | \$5,118.07 |
| 6630-601 | 23100J2-APT | 1 HP | 230V | 55 | \$5,790.66 |
| 6630-613 | 23150J2-APT | 1 1/2 HP | 230V | 64 | \$6,280.94 |

Three Wire Single Phase, w/Transducer

| Part No. | Model No. | HP | Volt | Wt. | Price |
|----------|-------------|----------|------|-----|------------|
| 6630-625 | 23050J3-APT | 1/2 HP | 230V | 42 | \$4,342.48 |
| 6630-637 | 23075J3-APT | 3/4 HP | 230V | 44 | \$4,886.32 |
| 6630-649 | 23100J3-APT | 1 HP | 230V | 54 | \$5,505.35 |
| 6630-661 | 23150J3-APT | 1 1/2 HP | 230V | 63 | \$5,910.14 |

Three Wire Three Phase, w/Transducer

| Part No. | Model No. | HP | Volt | Wt. | Price |
|----------|--------------|----------|------|-----|------------|
| 6630-849 | 23150J3Z-APT | 1 1/2 HP | 230V | 56 | \$6,431.32 |

J - 5 GPM - 24000 Series

Two Wire Single Phase, w/Pressure Switch

| Part No. | Model No. | HP | Volt | Wt. | Price |
|----------|-------------|----------|------|-----|------------|
| 6630-701 | 24050J2-APS | 1/2 HP | 230V | 43 | \$3,892.37 |
| 6630-711 | 24075J2-APS | 3/4 HP | 230V | 46 | \$4,402.22 |
| 6630-722 | 24100J2-APS | 1 HP | 230V | 53 | \$4,932.67 |
| 6630-734 | 24150J2-APS | 1 1/2 HP | 230V | 62 | \$5,331.28 |

Three Wire Single Phase, w/Pressure Switch

| Part No. | Model No. | HP | Volt | Wt. | Price |
|----------|-------------|----------|------|-----|------------|
| 6630-745 | 24050J3-APS | 1/2 HP | 230V | 41 | \$3,717.27 |
| 6630-755 | 24075J3-APS | 3/4 HP | 230V | 43 | \$4,171.50 |
| 6630-766 | 24100J3-APS | 1 HP | 230V | 52 | \$4,648.39 |
| 6630-778 | 24150J3-APS | 1 1/2 HP | 230V | 61 | \$4,960.48 |

Two Wire Single Phase, w/Transducer

| Part No. | Model No. | HP | Volt | Wt. | Price |
|----------|-------------|----------|------|-----|------------|
| 6630-696 | 24050J2-APT | 1/2 HP | 230V | 43 | \$4,250.81 |
| 6630-706 | 24075J2-APT | 3/4 HP | 230V | 46 | \$4,763.75 |
| 6630-716 | 24100J2-APT | 1 HP | 230V | 53 | \$5,293.17 |
| 6630-728 | 24150J2-APT | 1 1/2 HP | 230V | 62 | \$5,690.75 |

Three Wire Single Phase, w/Transducer

| Part No. | Model No. | HP | Volt | Wt. | Price |
|----------|-------------|----------|------|-----|------------|
| 6630-740 | 24050J3-APT | 1/2 HP | 230V | 41 | \$4,078.80 |
| 6630-750 | 24075J3-APT | 3/4 HP | 230V | 43 | \$4,533.03 |
| 6630-760 | 24100J3-APT | 1 HP | 230V | 52 | \$5,007.86 |
| 6630-772 | 24150J3-APT | 1 1/2 HP | 230V | 61 | \$5,319.95 |

Three Wire Three Phase, w/Transducer

| Part No. | Model No. | HP | Volt | Wt. | Price |
|----------|--------------|----------|------|-----|------------|
| 6630-855 | 24150J3Z-APT | 1 1/2 HP | 230V | 54 | \$5,842.16 |

V - 7 GPM - 23000 Series

Two Wire Single Phase, w/Pressure Switch

| Part No. | Model No. | HP | Volt | Wt. | Price |
|----------|-------------|----------|------|-----|------------|
| 6630-584 | 23050V2-APS | 1/2 HP | 230V | 43 | \$3,848.08 |
| 6630-596 | 23075V2-APS | 3/4 HP | 230V | 46 | \$4,529.94 |
| 6630-608 | 23100V2-APS | 1 HP | 230V | 52 | \$4,906.92 |
| 6630-620 | 23150V2-APS | 1 1/2 HP | 230V | 59 | \$5,623.80 |

Three Wire Single Phase, w/Pressure Switch

| Part No. | Model No. | HP | Volt | Wt. | Price |
|----------|-------------|----------|------|-----|------------|
| 6630-632 | 23050V3-APS | 1/2 HP | 230V | 41 | \$3,430.00 |
| 6630-644 | 23075V3-APS | 3/4 HP | 230V | 43 | \$4,298.19 |
| 6630-656 | 23100V3-APS | 1 HP | 230V | 51 | \$4,621.61 |
| 6630-668 | 23150V3-APS | 1 1/2 HP | 230V | 58 | \$5,256.09 |
| 6630-678 | 23200V3-APS | 2 HP | 230V | 61 | \$6,065.67 |

Two Wire Single Phase, w/Transducer

| Part No. | Model No. | HP | Volt | Wt. | Price |
|----------|-------------|----------|------|-----|------------|
| 6630-578 | 23050V2-APT | 1/2 HP | 230V | 43 | \$4,207.55 |
| 6630-590 | 23075V2-APT | 3/4 HP | 230V | 46 | \$4,564.00 |
| 6630-602 | 23100V2-APT | 1 HP | 230V | 52 | \$5,265.36 |
| 6630-614 | 23150V2-APT | 1 1/2 HP | 230V | 59 | \$5,986.36 |

Three Wire Single Phase, w/Transducer

| Part No. | Model No. | HP | Volt | Wt. | Price |
|----------|-------------|----------|------|-----|------------|
| 6630-626 | 23050V3-APT | 1/2 HP | 230V | 41 | \$4,034.51 |
| 6630-638 | 23075V3-APT | 3/4 HP | 230V | 43 | \$4,656.63 |
| 6630-650 | 23100V3-APT | 1 HP | 230V | 51 | \$4,981.08 |
| 6630-662 | 23150V3-APT | 1 1/2 HP | 230V | 58 | \$5,615.56 |
| 6630-673 | 23200V3-APT | 2 HP | 230V | 61 | \$6,425.14 |

Three Wire Three Phase, w/Transducer

| Part No. | Model No. | HP | Volt | Wt. | Price |
|----------|--------------|----------|------|-----|------------|
| 6630-850 | 23150V3Z-APT | 1 1/2 HP | 230V | 51 | \$6,137.77 |
| 6630-683 | 23200V3Z-APT | 2 HP | 230V | 59 | \$6,864.95 |

K - 10 GPM - 23000 Series

Two Wire Single Phase, w/Pressure Switch

| Part No. | Model No. | HP | Volt | Wt. | Price |
|----------|-------------|----------|------|-----|------------|
| 6630-585 | 23050K2-APS | 1/2 HP | 230V | 42 | \$3,744.05 |
| 6630-597 | 23075K2-APS | 3/4 HP | 230V | 49 | \$4,212.70 |
| 6630-609 | 23100K2-APS | 1 HP | 230V | 50 | \$4,410.46 |
| 6630-621 | 23150K2-APS | 1 1/2 HP | 230V | 58 | \$5,378.66 |

Three Wire Single Phase, w/Pressure Switch

| Part No. | Model No. | HP | Volt | Wt. | Price |
|----------|-------------|----------|------|-----|------------|
| 6630-633 | 23050K3-APS | 1/2 HP | 230V | 40 | \$3,569.98 |
| 6630-645 | 23075K3-APS | 3/4 HP | 230V | 42 | \$3,979.92 |
| 6630-657 | 23100K3-APS | 1 HP | 230V | 49 | \$4,124.12 |
| 6630-669 | 23150K3-APS | 1 1/2 HP | 230V | 57 | \$5,009.92 |
| 6630-679 | 23200K3-APS | 2 HP | 230V | 59 | \$5,755.64 |

Two Wire Single Phase, w/Transducer

| Part No. | Model No. | HP | Volt | Wt. | Price |
|----------|-------------|----------|------|-----|------------|
| 6630-579 | 23050K2-APT | 1/2 HP | 230V | 42 | \$4,104.55 |
| 6630-591 | 23075K2-APT | 3/4 HP | 230V | 45 | \$4,572.17 |
| 6630-603 | 23100K2-APT | 1 HP | 230V | 50 | \$4,768.90 |
| 6630-615 | 23150K2-APT | 1 1/2 HP | 230V | 58 | \$5,739.16 |

Three Wire Single Phase, w/Transducer

| Part No. | Model No. | HP | Volt | Wt. | Price |
|----------|-------------|----------|------|-----|------------|
| 6630-627 | 23050K3-APT | 1/2 HP | 230V | 40 | \$3,929.45 |
| 6630-639 | 23075K3-APT | 3/4 HP | 230V | 42 | \$4,341.45 |
| 6630-651 | 23100K3-APT | 1 HP | 230V | 49 | \$4,484.62 |
| 6630-663 | 23150K3-APT | 1 1/2 HP | 230V | 57 | \$5,370.42 |
| 6630-674 | 23200K3-APT | 2 HP | 230V | 59 | \$6,116.14 |

Three Wire Three Phase, w/Transducer

| Part No. | Model No. | HP | Volt | Wt. | Price |
|----------|--------------|----------|------|-----|-------------|
| 6630-851 | 23150K3Z-APT | 1 1/2 HP | 230V | 50 | \$5,890.57 |
| 6630-684 | 23200K3Z-APT | 2 HP | 230V | 57 | \$6,554.92 |
| 6630-688 | 23300K3Z-APT | 3 HP | 230V | 70 | \$8,261.63 |
| 6630-692 | 23500K3Z-APT | 5 HP | 230V | 83 | \$11,492.74 |

V - 7 GPM - 24000 Series

Two Wire Single Phase, w/Pressure Switch

| Part No. | Model No. | HP | Volt | Wt. | Price |
|----------|-------------|----------|------|-----|------------|
| 6630-702 | 24050V2-APS | 1/2 HP | 230V | 42 | \$3,665.77 |
| 6630-712 | 24075V2-APS | 3/4 HP | 230V | 45 | \$4,234.33 |
| 6630-723 | 24100V2-APS | 1 HP | 230V | 53 | \$4,544.36 |
| 6630-735 | 24150V2-APS | 1 1/2 HP | 230V | 60 | \$5,113.95 |

Three Wire Single Phase, w/Pressure Switch

| Part No. | Model No. | HP | Volt | Wt. | Price |
|----------|-------------|----------|------|-----|------------|
| 6630-746 | 24050V3-APS | 1/2 HP | 230V | 40 | \$3,493.76 |
| 6630-756 | 24075V3-APS | 3/4 HP | 230V | 42 | \$4,002.58 |
| 6630-767 | 24100V3-APS | 1 HP | 230V | 52 | \$4,262.14 |
| 6630-779 | 24150V3-APS | 1 1/2 HP | 230V | 59 | \$4,744.18 |
| 6630-789 | 24200V3-APS | 2 HP | 230V | 61 | \$5,392.05 |

Two Wire Single Phase, w/Transducer

| Part No. | Model No. | HP | Volt | Wt. | Price |
|----------|-------------|----------|------|-----|------------|
| 6630-697 | 24050V2-APT | 1/2 HP | 230V | 42 | \$4,026.27 |
| 6630-707 | 24075V2-APT | 3/4 HP | 230V | 45 | \$4,593.80 |
| 6630-717 | 24100V2-APT | 1 HP | 230V | 53 | \$4,904.86 |
| 6630-729 | 24150V2-APT | 1 1/2 HP | 230V | 60 | \$5,474.45 |

Three Wire Single Phase, w/Transducer

| Part No. | Model No. | HP | Volt | Wt. | Price |
|----------|-------------|----------|------|-----|------------|
| 6630-741 | 24050V3-APT | 1/2 HP | 230V | 40 | \$3,853.23 |
| 6630-751 | 24075V3-APT | 3/4 HP | 230V | 42 | \$4,362.05 |
| 6630-761 | 24100V3-APT | 1 HP | 230V | 52 | \$4,620.58 |
| 6630-773 | 24150V3-APT | 1 1/2 HP | 230V | 59 | \$5,103.65 |
| 6630-784 | 24200V3-APT | 2 HP | 230V | 61 | \$5,752.55 |

Three Wire Three Phase, w/Transducer

| Part No. | Model No. | HP | Volt | Wt. | Price |
|----------|--------------|----------|------|-----|------------|
| 6630-856 | 24150V3Z-APT | 1 1/2 HP | 230V | 52 | \$5,623.80 |
| 6630-794 | 24200V3Z-APT | 2 HP | 230V | 59 | \$6,190.30 |

K - 10 GPM - 24000 Series

Two Wire Single Phase, w/Pressure Switch

| Part No. | Model No. | HP | Volt | Wt. | Price |
|----------|-------------|----------|------|-----|------------|
| 6630-703 | 24050K2-APS | 1/2 HP | 230V | 42 | \$3,586.46 |
| 6630-713 | 24075K2-APS | 3/4 HP | 230V | 45 | \$4,001.55 |
| 6630-724 | 24100K2-APS | 1 HP | 230V | 50 | \$4,172.53 |
| 6630-736 | 24150K2-APS | 1 1/2 HP | 230V | 57 | \$4,929.58 |

Three Wire Single Phase, w/Pressure Switch

| Part No. | Model No. | HP | Volt | Wt. | Price |
|----------|-------------|----------|------|-----|------------|
| 6630-747 | 24050K3-APS | 1/2 HP | 230V | 40 | \$3,413.42 |
| 6630-757 | 24075K3-APS | 3/4 HP | 230V | 42 | \$3,769.80 |
| 6630-768 | 24100K3-APS | 1 HP | 230V | 49 | \$3,889.28 |
| 6630-780 | 24150K3-APS | 1 1/2 HP | 230V | 56 | \$4,559.81 |
| 6630-790 | 24200K3-APS | 2 HP | 230V | 57 | \$5,157.21 |

Two Wire Single Phase, w/Transducer

| Part No. | Model No. | HP | Volt | Wt. | Price |
|----------|-------------|----------|------|-----|------------|
| 6630-698 | 24050K2-APT | 1/2 HP | 230V | 42 | \$3,946.96 |
| 6630-708 | 24075K2-APT | 3/4 HP | 230V | 45 | \$4,361.02 |
| 6630-718 | 24100K2-APT | 1 HP | 230V | 50 | \$4,534.06 |
| 6630-730 | 24150K2-APT | 1 1/2 HP | 230V | 57 | \$5,290.08 |

Three Wire Single Phase, w/Transducer

| Part No. | Model No. | HP | Volt | Wt. | Price |
|----------|-------------|----------|------|-----|------------|
| 6630-742 | 24050K3-APT | 1/2 HP | 230V | 40 | \$3,773.92 |
| 6630-752 | 24075K3-APT | 3/4 HP | 230V | 42 | \$4,128.24 |
| 6630-762 | 24100K3-APT | 1 HP | 230V | 49 | \$4,248.75 |
| 6630-774 | 24150K3-APT | 1 1/2 HP | 230V | 56 | \$4,919.28 |
| 6630-785 | 24200K3-APT | 2 HP | 230V | 57 | \$5,519.77 |

Three Wire Three Phase, w/Transducer

| Part No. | Model No. | HP | Volt | Wt. | Price |
|----------|--------------|----------|------|-----|-------------|
| 6630-857 | 24150K3Z-APT | 1 1/2 HP | 230V | 49 | \$5,441.49 |
| 6630-795 | 24200K3Z-APT | 2 HP | 230V | 55 | \$5,957.52 |
| 6630-799 | 24300K3Z-APT | 3 HP | 230V | 69 | \$7,478.83 |
| 6630-803 | 24500K3Z-APT | 5 HP | 230V | 90 | \$10,512.18 |

AutoPAC

L - 15 GPM - 23000 Series

Two Wire Single Phase, w/Pressure Switch

| Part No. | Model No. | HP | Volt | Wt. | Price |
|----------|-------------|----------|------|-----|------------|
| 6630-586 | 23050L2-APS | 1/2 HP | 230V | 42 | \$4,157.08 |
| 6630-598 | 23075L2-APS | 3/4 HP | 230V | 45 | \$4,494.92 |
| 6630-610 | 23100L2-APS | 1 HP | 230V | 50 | \$4,710.19 |
| 6630-622 | 23150L2-APS | 1 1/2 HP | 230V | 57 | \$4,951.21 |

Three Wire Single Phase, w/Pressure Switch

| Part No. | Model No. | HP | Volt | Wt. | Price |
|----------|-------------|----------|------|-----|------------|
| 6630-634 | 23050L3-APS | 1/2 HP | 230V | 40 | \$3,983.01 |
| 6630-646 | 23075L3-APS | 3/4 HP | 230V | 42 | \$4,263.17 |
| 6630-658 | 23100L3-APS | 1 HP | 230V | 49 | \$4,426.94 |
| 6630-670 | 23150L3-APS | 1 1/2 HP | 230V | 56 | \$4,582.47 |
| 6630-680 | 23200L3-APS | 2 HP | 230V | 58 | \$4,989.32 |

Two Wire Single Phase, w/Transducer

| Part No. | Model No. | HP | Volt | Wt. | Price |
|----------|-------------|----------|------|-----|------------|
| 6630-580 | 23050L2-APT | 1/2 HP | 230V | 42 | \$4,516.55 |
| 6630-592 | 23075L2-APT | 3/4 HP | 230V | 45 | \$4,855.42 |
| 6630-604 | 23100L2-APT | 1 HP | 230V | 50 | \$5,071.72 |
| 6630-616 | 23150L2-APT | 1 1/2 HP | 230V | 57 | \$5,310.68 |

Three Wire Single Phase, w/Transducer

| Part No. | Model No. | HP | Volt | Wt. | Price |
|----------|-------------|----------|------|-----|------------|
| 6630-628 | 23050L3-APT | 1/2 HP | 230V | 40 | \$4,344.54 |
| 6630-640 | 23075L3-APT | 3/4 HP | 230V | 42 | \$4,621.61 |
| 6630-652 | 23100L3-APT | 1 HP | 230V | 49 | \$4,786.41 |
| 6630-664 | 23150L3-APT | 1 1/2 HP | 230V | 56 | \$4,940.91 |
| 6630-675 | 23200L3-APT | 2 HP | 230V | 58 | \$5,349.82 |

Three Wire Three Phase, w/Transducer

| Part No. | Model No. | HP | Volt | Wt. | Price |
|----------|--------------|----------|------|-----|-------------|
| 6630-885 | 23100L3Z-APT | 1 HP | 230V | 50 | \$5,396.17 |
| 6630-852 | 23150L3Z-APT | 1 1/2 HP | 230V | 49 | \$5,461.06 |
| 6630-685 | 23200L3Z-APT | 2 HP | 230V | 56 | \$5,789.63 |
| 6630-689 | 23300L3Z-APT | 3 HP | 230V | 69 | \$7,219.27 |
| 6630-693 | 23500L3Z-APT | 5 HP | 230V | 85 | \$11,416.52 |

L - 15 GPM - 24000 Series

Two Wire Single Phase, w/Pressure Switch

| Part No. | Model No. | HP | Volt | Wt. | Price |
|----------|-------------|----------|------|-----|------------|
| 6630-704 | 24050L2-APS | 1/2 HP | 230V | 41 | \$3,893.40 |
| 6630-714 | 24075L2-APS | 3/4 HP | 230V | 44 | \$4,207.55 |
| 6630-725 | 24100L2-APS | 1 HP | 230V | 50 | \$4,397.07 |
| 6630-737 | 24150L2-APS | 1 1/2 HP | 230V | 56 | \$4,611.31 |

Three Wire Single Phase, w/Pressure Switch

| Part No. | Model No. | HP | Volt | Wt. | Price |
|----------|-------------|----------|------|-----|------------|
| 6630-748 | 24050L3-APS | 1/2 HP | 230V | 39 | \$3,719.33 |
| 6630-758 | 24075L3-APS | 3/4 HP | 230V | 41 | \$3,711.00 |
| 6630-769 | 24100L3-APS | 1 HP | 230V | 49 | \$4,114.85 |
| 6630-781 | 24150L3-APS | 1 1/2 HP | 230V | 55 | \$4,240.51 |
| 6630-791 | 24200L3-APS | 2 HP | 230V | 57 | \$4,591.74 |

Two Wire Single Phase, w/Transducer

| Part No. | Model No. | HP | Volt | Wt. | Price |
|----------|-------------|----------|------|-----|------------|
| 6630-699 | 24050L2-APT | 1/2 HP | 230V | 41 | \$4,251.84 |
| 6630-709 | 24075L2-APT | 3/4 HP | 230V | 44 | \$4,568.05 |
| 6630-719 | 24100L2-APT | 1 HP | 230V | 50 | \$4,758.60 |
| 6630-731 | 24150L2-APT | 1 1/2 HP | 230V | 56 | \$4,969.75 |

Three Wire Single Phase, w/Transducer

| Part No. | Model No. | HP | Volt | Wt. | Price |
|----------|-------------|----------|------|-----|------------|
| 6630-743 | 24050L3-APT | 1/2 HP | 230V | 39 | \$4,079.83 |
| 6630-753 | 24075L3-APT | 3/4 HP | 230V | 41 | \$4,336.30 |
| 6630-763 | 24100L3-APT | 1 HP | 230V | 49 | \$4,474.32 |
| 6630-775 | 24150L3-APT | 1 1/2 HP | 230V | 55 | \$4,598.95 |
| 6630-786 | 24200L3-APT | 2 HP | 230V | 57 | \$4,952.24 |

Three Wire Three Phase, w/Transducer

| Part No. | Model No. | HP | Volt | Wt. | Price |
|----------|--------------|----------|------|-----|-------------|
| 6630-858 | 24150L3Z-APT | 1 1/2 HP | 230V | 48 | \$5,122.19 |
| 6630-796 | 24200L3Z-APT | 2 HP | 230V | 55 | \$5,391.02 |
| 6630-800 | 24300L3Z-APT | 3 HP | 230V | 66 | \$6,708.39 |
| 6630-804 | 24500L3Z-APT | 5 HP | 230V | 86 | \$10,459.65 |

P - 20 GPM - 23000 Series

Two Wire Single Phase, w/Pressure Switch

| Part No. | Model No. | HP | Volt | Wt. | Price |
|----------|-------------|----------|------|-----|------------|
| 6630-587 | 23050P2-APS | 1/2 HP | 230V | 41 | \$4,123.09 |
| 6630-599 | 23075P2-APS | 3/4 HP | 230V | 44 | \$4,536.12 |
| 6630-611 | 23100P2-APS | 1 HP | 230V | 50 | \$4,680.32 |
| 6630-623 | 23150P2-APS | 1 1/2 HP | 230V | 56 | \$4,992.41 |

Three Wire Single Phase, w/Pressure Switch

| Part No. | Model No. | HP | Volt | Wt. | Price |
|----------|-------------|----------|------|-----|------------|
| 6630-635 | 23050P3-APS | 1/2 HP | 230V | 39 | \$3,951.08 |
| 6630-647 | 23075P3-APS | 3/4 HP | 230V | 41 | \$4,303.34 |
| 6630-659 | 23100P3-APS | 1 HP | 230V | 49 | \$4,396.04 |
| 6630-671 | 23150P3-APS | 1 1/2 HP | 230V | 55 | \$4,621.61 |
| 6630-681 | 23200P3-APS | 2 HP | 230V | 56 | \$5,432.22 |

Two Wire Single Phase, w/Transducer

| Part No. | Model No. | HP | Volt | Wt. | Price |
|----------|-------------|----------|------|-----|------------|
| 6630-581 | 23050P2-APT | 1/2 HP | 230V | 41 | \$4,483.59 |
| 6630-593 | 23075P2-APT | 3/4 HP | 230V | 44 | \$4,894.56 |
| 6630-605 | 23100P2-APT | 1 HP | 230V | 50 | \$5,039.79 |
| 6630-617 | 23150P2-APT | 1 1/2 HP | 230V | 56 | \$5,351.88 |

Three Wire Single Phase, w/Transducer

| Part No. | Model No. | HP | Volt | Wt. | Price |
|----------|-------------|----------|------|-----|------------|
| 6630-629 | 23050P3-APT | 1/2 HP | 230V | 39 | \$4,310.55 |
| 6630-641 | 23075P3-APT | 3/4 HP | 230V | 41 | \$4,663.84 |
| 6630-653 | 23100P3-APT | 1 HP | 230V | 49 | \$4,757.57 |
| 6630-665 | 23150P3-APT | 1 1/2 HP | 230V | 55 | \$4,981.08 |
| 6630-676 | 23200P3-APT | 2 HP | 230V | 56 | \$5,793.75 |

Three Wire Three Phase, w/Transducer

| Part No. | Model No. | HP | Volt | Wt. | Price |
|----------|--------------|----------|------|-----|-------------|
| 6630-886 | 23100P3Z-APT | 1 HP | 230V | 50 | \$5,295.23 |
| 6630-853 | 23150P3Z-APT | 1 1/2 HP | 230V | 48 | \$5,503.29 |
| 6630-686 | 23200P3Z-APT | 2 HP | 230V | 54 | \$6,232.53 |
| 6630-690 | 23300P3Z-APT | 3 HP | 230V | 68 | \$7,737.36 |
| 6630-694 | 23500P3Z-APT | 5 HP | 230V | 84 | \$10,785.13 |

P - 20 GPM - 24000 Series

Two Wire Single Phase, w/Pressure Switch

| Part No. | Model No. | HP | Volt | Wt. | Price |
|----------|-------------|----------|------|-----|------------|
| 6630-705 | 24050P2-APS | 1/2 HP | 230V | 41 | \$3,866.62 |
| 6630-715 | 24075P2-APS | 3/4 HP | 230V | 43 | \$4,238.45 |
| 6630-726 | 24100P2-APS | 1 HP | 230V | 49 | \$4,374.41 |
| 6630-738 | 24150P2-APS | 1 1/2 HP | 230V | 56 | \$4,642.21 |

Three Wire Single Phase, w/Pressure Switch

| Part No. | Model No. | HP | Volt | Wt. | Price |
|----------|-------------|----------|------|-----|------------|
| 6630-749 | 24050P3-APS | 1/2 HP | 230V | 39 | \$3,692.55 |
| 6630-759 | 24075P3-APS | 3/4 HP | 230V | 40 | \$4,005.67 |
| 6630-770 | 24100P3-APS | 1 HP | 230V | 48 | \$4,090.13 |
| 6630-782 | 24150P3-APS | 1 1/2 HP | 230V | 55 | \$4,271.41 |
| 6630-792 | 24200P3-APS | 2 HP | 230V | 56 | \$4,921.34 |

Two Wire Single Phase, w/Transducer

| Part No. | Model No. | HP | Volt | Wt. | Price |
|----------|-------------|----------|------|-----|------------|
| 6630-700 | 24050P2-APT | 1/2 HP | 230V | 41 | \$4,226.09 |
| 6630-710 | 24075P2-APT | 3/4 HP | 230V | 43 | \$4,596.89 |
| 6630-720 | 24100P2-APT | 1 HP | 230V | 49 | \$4,733.88 |
| 6630-732 | 24150P2-APT | 1 1/2 HP | 230V | 56 | \$5,001.68 |

Three Wire Single Phase, w/Transducer

| Part No. | Model No. | HP | Volt | Wt. | Price |
|----------|-------------|----------|------|-----|------------|
| 6630-744 | 24050P3-APT | 1/2 HP | 230V | 39 | \$4,053.05 |
| 6630-754 | 24075P3-APT | 3/4 HP | 230V | 40 | \$4,365.14 |
| 6630-764 | 24100P3-APT | 1 HP | 230V | 48 | \$4,450.63 |
| 6630-776 | 24150P3-APT | 1 1/2 HP | 230V | 55 | \$4,629.85 |
| 6630-787 | 24200P3-APT | 2 HP | 230V | 56 | \$5,281.84 |

Three Wire Three Phase, w/Transducer

| Part No. | Model No. | HP | Volt | Wt. | Price |
|----------|--------------|----------|------|-----|------------|
| 6630-859 | 24150P3Z-APT | 1 1/2 HP | 230V | 48 | \$5,152.06 |
| 6630-797 | 24200P3Z-APT | 2 HP | 230V | 54 | \$5,721.65 |
| 6630-801 | 24300P3Z-APT | 3 HP | 230V | 67 | \$7,091.55 |
| 6630-805 | 24500P3Z-APT | 5 HP | 230V | 86 | \$9,988.94 |

AutoPAC

M - 25 GPM - 23000 Series

Two Wire Single Phase, w/Pressure Switch

| Part No. | Model No. | HP | Volt | Wt. | Price |
|----------|-------------|----------|------|-----|------------|
| 6630-588 | 23050M2-APS | 1/2 HP | 230V | 41 | \$3,975.80 |
| 6630-600 | 23075M2-APS | 3/4 HP | 230V | 43 | \$4,378.53 |
| 6630-612 | 23100M2-APS | 1 HP | 230V | 49 | \$4,487.71 |
| 6630-624 | 23150M2-APS | 1 1/2 HP | 230V | 55 | \$5,113.95 |

Three Wire Single Phase, w/Pressure Switch

| Part No. | Model No. | HP | Volt | Wt. | Price |
|----------|-------------|----------|------|-----|------------|
| 6630-636 | 23050M3-APS | 1/2 HP | 230V | 39 | \$3,802.76 |
| 6630-648 | 23075M3-APS | 3/4 HP | 230V | 40 | \$4,146.78 |
| 6630-660 | 23100M3-APS | 1 HP | 230V | 48 | \$4,202.40 |
| 6630-672 | 23150M3-APS | 1 1/2 HP | 230V | 54 | \$4,744.18 |
| 6630-682 | 23200M3-APS | 2 HP | 230V | 56 | \$5,238.58 |

Two Wire Single Phase, w/Transducer

| Part No. | Model No. | HP | Volt | Wt. | Price |
|----------|-------------|----------|------|-----|------------|
| 6630-582 | 23050M2-APT | 1/2 HP | 230V | 41 | \$4,336.30 |
| 6630-594 | 23075M2-APT | 3/4 HP | 230V | 43 | \$4,738.00 |
| 6630-606 | 23100M2-APT | 1 HP | 230V | 49 | \$4,846.15 |
| 6630-618 | 23150M2-APT | 1 1/2 HP | 230V | 55 | \$5,474.45 |

Three Wire Single Phase, w/Transducer

| Part No. | Model No. | HP | Volt | Wt. | Price |
|----------|-------------|----------|------|-----|------------|
| 6630-630 | 23050M3-APT | 1/2 HP | 230V | 39 | \$4,163.26 |
| 6630-642 | 23075M3-APT | 3/4 HP | 230V | 40 | \$4,507.28 |
| 6630-654 | 23100M3-APT | 1 HP | 230V | 48 | \$4,563.93 |
| 6630-666 | 23150M3-APT | 1 1/2 HP | 230V | 54 | \$5,103.65 |
| 6630-677 | 23200M3-APT | 2 HP | 230V | 56 | \$5,600.11 |

Three Wire Three Phase, w/Transducer

| Part No. | Model No. | HP | Volt | Wt. | Price |
|----------|--------------|----------|------|-----|-------------|
| 6630-887 | 23100M3Z-APT | 1 HP | 230V | 50 | \$5,101.59 |
| 6630-854 | 23150M3Z-APT | 1 1/2 HP | 230V | 47 | \$5,623.80 |
| 6630-687 | 23200M3Z-APT | 2 HP | 230V | 54 | \$6,037.86 |
| 6630-691 | 23300M3Z-APT | 3 HP | 230V | 65 | \$7,596.25 |
| 6630-695 | 23500M3Z-APT | 5 HP | 230V | 80 | \$10,522.48 |

R - 35 GPM - 24000 Series

Two Wire Single Phase, w/Pressure Switch

| Part No. | Model No. | HP | Volt | Wt. | Price |
|----------|-------------|----------|------|-----|------------|
| 6630-808 | 24100R2-APS | 1 HP | 230V | 50 | \$5,019.19 |
| 6630-813 | 24150R2-APS | 1 1/2 HP | 230V | 56 | \$5,294.20 |

Three Wire Single Phase, w/Pressure Switch

| Part No. | Model No. | HP | Volt | Wt. | Price |
|----------|-------------|----------|------|-----|------------|
| 6630-818 | 24100R3-APS | 1 HP | 230V | 49 | \$4,820.40 |
| 6630-823 | 24150R3-APS | 1 1/2 HP | 230V | 55 | \$4,923.40 |
| 6630-831 | 24200R3-APS | 2 HP | 230V | 56 | \$5,419.86 |

Two Wire Single Phase, w/Transducer

| Part No. | Model No. | HP | Volt | Wt. | Price |
|----------|-------------|----------|------|-----|------------|
| 6630-807 | 24100R2-APT | 1 HP | 230V | 50 | \$5,379.69 |
| 6630-809 | 24150R2-APT | 1 1/2 HP | 230V | 56 | \$5,653.67 |

Three Wire Single Phase, w/Transducer

| Part No. | Model No. | HP | Volt | Wt. | Price |
|----------|-------------|----------|------|-----|------------|
| 6630-817 | 24100R3-APT | 1 HP | 230V | 49 | \$5,181.93 |
| 6630-819 | 24150R3-APT | 1 1/2 HP | 230V | 55 | \$5,283.90 |
| 6630-827 | 24200R3-APT | 2 HP | 230V | 56 | \$5,778.30 |

Three Wire Three Phase, w/Transducer

| Part No. | Model No. | HP | Volt | Wt. | Price |
|----------|--------------|----------|------|-----|-------------|
| 6630-888 | 24100R3Z-APT | 1 HP | 230V | 50 | \$5,720.62 |
| 6630-861 | 24150R3Z-APT | 1 1/2 HP | 230V | 48 | \$5,804.05 |
| 6630-835 | 24200R3Z-APT | 2 HP | 230V | 54 | \$6,217.08 |
| 6630-839 | 24300R3Z-APT | 3 HP | 230V | 67 | \$7,720.88 |
| 6630-844 | 24500R3Z-APT | 5 HP | 230V | 83 | \$11,033.36 |

M - 25 GPM - 24000 Series

Two Wire Single Phase, w/Pressure Switch

| Part No. | Model No. | HP | Volt | Wt. | Price |
|----------|-------------|----------|------|-----|------------|
| 6630-727 | 24100M2-APS | 1 HP | 230V | 49 | \$4,230.21 |
| 6630-739 | 24150M2-APS | 1 1/2 HP | 230V | 55 | \$4,733.88 |

Three Wire Single Phase, w/Pressure Switch

| Part No. | Model No. | HP | Volt | Wt. | Price |
|----------|-------------|----------|------|-----|------------|
| 6630-771 | 24100M3-APS | 1 HP | 230V | 48 | \$3,946.96 |
| 6630-783 | 24150M3-APS | 1 1/2 HP | 230V | 54 | \$4,364.11 |
| 6630-793 | 24200M3-APS | 2 HP | 230V | 55 | \$4,777.14 |

Two Wire Single Phase, w/Transducer

| Part No. | Model No. | HP | Volt | Wt. | Price |
|----------|-------------|----------|------|-----|------------|
| 6630-721 | 24100M2-APT | 1 HP | 230V | 49 | \$4,590.71 |
| 6630-733 | 24150M2-APT | 1 1/2 HP | 230V | 55 | \$5,093.35 |

Three Wire Single Phase, w/Transducer

| Part No. | Model No. | HP | Volt | Wt. | Price |
|----------|-------------|----------|------|-----|------------|
| 6630-765 | 24100M3-APT | 1 HP | 230V | 49 | \$4,306.43 |
| 6630-777 | 24150M3-APT | 1 1/2 HP | 230V | 54 | \$4,724.61 |
| 6630-788 | 24200M3-APT | 2 HP | 230V | 55 | \$5,136.61 |

Three Wire Three Phase, w/Transducer

| Part No. | Model No. | HP | Volt | Wt. | Price |
|----------|--------------|----------|------|-----|------------|
| 6630-860 | 24150M3Z-APT | 1 1/2 HP | 230V | 47 | \$5,245.79 |
| 6630-798 | 24200M3Z-APT | 2 HP | 230V | 53 | \$5,574.36 |
| 6630-802 | 24300M3Z-APT | 3 HP | 230V | 66 | \$6,984.43 |
| 6630-806 | 24500M3Z-APT | 5 HP | 230V | 83 | \$9,798.39 |

G - 40 GPM - 24000 Series

Two Wire Single Phase, w/Pressure Switch

| Part No. | Model No. | HP | Volt | Wt. | Price |
|----------|-------------|----------|------|-----|------------|
| 6630-814 | 24150G2-APS | 1 1/2 HP | 230V | 54 | \$5,625.86 |

Three Wire Single Phase, w/Pressure Switch

| Part No. | Model No. | HP | Volt | Wt. | Price |
|----------|-------------|----------|------|-----|------------|
| 6630-824 | 24150G3-APS | 1 1/2 HP | 230V | 53 | \$5,257.12 |
| 6630-832 | 24200G3-APS | 2 HP | 230V | 54 | \$5,674.27 |

Two Wire Single Phase, w/Transducer

| Part No. | Model No. | HP | Volt | Wt. | Price |
|----------|-------------|----------|------|-----|------------|
| 6630-810 | 24150G2-APT | 1 1/2 HP | 230V | 54 | \$5,987.39 |

Three Wire Single Phase, w/Transducer

| Part No. | Model No. | HP | Volt | Wt. | Price |
|----------|-------------|----------|------|-----|------------|
| 6630-820 | 24150G3-APT | 1 1/2 HP | 230V | 53 | \$5,616.59 |
| 6630-828 | 24200G3-APT | 2 HP | 230V | 54 | \$6,034.77 |

Three Wire Three Phase, w/Transducer

| Part No. | Model No. | HP | Volt | Wt. | Price |
|----------|--------------|----------|------|-----|-------------|
| 6630-862 | 24150G3Z-APT | 1 1/2 HP | 230V | 46 | \$6,138.80 |
| 6630-836 | 24200G3Z-APT | 2 HP | 230V | 52 | \$6,473.55 |
| 6630-840 | 24300G3Z-APT | 3 HP | 230V | 63 | \$8,072.11 |
| 6630-845 | 24500G3Z-APT | 5 HP | 230V | 78 | \$11,540.12 |

S - 55 GPM - 24000 Series

Two Wire Single Phase, w/Pressure Switch

| Part No. | Model No. | HP | Volt | Wt. | Price |
|----------|-------------|----------|------|-----|------------|
| 6630-815 | 24150S2-APS | 1 1/2 HP | 230V | 57 | \$5,860.70 |

Three Wire Single Phase, w/Pressure Switch

| Part No. | Model No. | HP | Volt | Wt. | Price |
|----------|-------------|----------|------|-----|------------|
| 6630-825 | 24150S3-APS | 1 1/2 HP | 230V | 56 | \$5,491.96 |
| 6630-833 | 24200S3-APS | 2 HP | 230V | 58 | \$6,085.24 |

Two Wire Single Phase, w/Transducer

| Part No. | Model No. | HP | Volt | Wt. | Price |
|----------|-------------|----------|------|-----|------------|
| 6630-811 | 24150S2-APT | 1 1/2 HP | 230V | 57 | \$6,222.23 |

Three Wire Single Phase, w/Transducer

| Part No. | Model No. | HP | Volt | Wt. | Price |
|----------|-------------|----------|------|-----|------------|
| 6630-821 | 24150S3-APT | 1 1/2 HP | 230V | 56 | \$5,850.40 |
| 6630-829 | 24200S3-APT | 2 HP | 230V | 58 | \$6,444.71 |

Three Wire Three Phase, w/Transducer

| Part No. | Model No. | HP | Volt | Wt. | Price |
|----------|--------------|----------|------|-----|-------------|
| 6630-863 | 24150S3Z-APT | 1 1/2 HP | 230V | 49 | \$6,371.58 |
| 6630-837 | 24200S3Z-APT | 2 HP | 230V | 56 | \$6,882.46 |
| 6630-841 | 24300S3Z-APT | 3 HP | 230V | 67 | \$8,029.88 |
| 6630-846 | 24500S3Z-APT | 5 HP | 230V | 85 | \$11,311.46 |

Q - 60 GPM - 24000 Series

Two Wire Single Phase, w/Pressure Switch

| Part No. | Model No. | HP | Volt | Wt. | Price |
|----------|-------------|----------|------|-----|------------|
| 6630-816 | 24150Q2-APS | 1 1/2 HP | 230V | 56 | \$5,481.66 |

Three Wire Single Phase, w/Pressure Switch

| Part No. | Model No. | HP | Volt | Wt. | Price |
|----------|-------------|----------|------|-----|------------|
| 6630-826 | 24150Q3-APS | 1 1/2 HP | 230V | 55 | \$5,111.89 |
| 6630-834 | 24200Q3-APS | 2 HP | 230V | 56 | \$5,426.04 |

Two Wire Single Phase, w/Transducer

| Part No. | Model No. | HP | Volt | Wt. | Price |
|----------|-------------|----------|------|-----|------------|
| 6630-812 | 24150Q2-APT | 1 1/2 HP | 230V | 56 | \$5,842.16 |

Three Wire Single Phase, w/Transducer

| Part No. | Model No. | HP | Volt | Wt. | Price |
|----------|-------------|----------|------|-----|------------|
| 6630-822 | 24150Q3-APT | 1 1/2 HP | 230V | 55 | \$5,472.39 |
| 6630-830 | 24200Q3-APT | 2 HP | 230V | 56 | \$5,787.57 |

Three Wire Three Phase, w/Transducer

| Part No. | Model No. | HP | Volt | Wt. | Price |
|----------|--------------|----------|------|-----|-------------|
| 6630-864 | 24150Q3Z-APT | 1 1/2 HP | 230V | 48 | \$5,992.54 |
| 6630-838 | 24200Q3Z-APT | 2 HP | 230V | 54 | \$6,225.32 |
| 6630-842 | 24300Q3Z-APT | 3 HP | 230V | 66 | \$7,841.39 |
| 6630-847 | 24500Q3Z-APT | 5 HP | 230V | 81 | \$11,038.51 |

T - 80 GPM - 24000 Series

Three Wire Three Phase, w/Transducer

| Part No. | Model No. | HP | Volt | Wt. | Price |
|----------|--------------|------|------|-----|-------------|
| 6630-843 | 24300T3Z-APT | 3 HP | 230V | 64 | \$7,720.88 |
| 6630-848 | 24500T3Z-APT | 5 HP | 230V | 80 | \$10,967.44 |

6", 8", 10" Submersible Pump Ends

90

Series/GPM
6", 8", & 10" Submersible
Stainless Steel Pumps
90 GPM 500 GPM
150 GPM 650 GPM
230 GPM 800 GPM
300 GPM 1100 GPM
400 GPM

S

Stainless Steel

050

Horsepower (HP)
3 HP 25 HP 100 HP
5 HP 30 HP 125 HP
7 1/2 HP 40 HP 150 HP
10 HP 50 HP 175 HP
15 HP 60 HP 200 HP
20 HP 75 HP 250 HP

6

Pump Size
6"
8"
10"

4

Motor Bracket (MB)
4"
6"
8"
10"

NOTE: Motors, contactors/control panels, and check valves must be added for a complete pump assembly.
- The 4" motor adapter adds about 2" to the overall length of the pump.

6" Stainless Steel Pump Ends



90 GPM

| Parts No. | Model No. | HP | MB | Stages | Wt. | Price |
|-----------|------------|-----|----|--------|-----|-------------|
| 6180-050 | 90S3HP64 | 3 | 4 | 2 | 15 | \$2,193.90 |
| 6180-051 | 90S5HP64 | 5 | 4 | 4 | 21 | \$3,150.77 |
| 6180-052 | 90S7.5HP66 | 7.5 | 6 | 6 | 30 | \$4,527.88 |
| 6180-053 | 90S10HP66 | 10 | 6 | 9 | 40 | \$5,192.23 |
| 6180-054 | 90S15HP66 | 15 | 6 | 13 | 51 | \$7,723.97 |
| 6180-055 | 90S20HP66 | 20 | 6 | 18 | 65 | \$9,984.82 |
| 6180-056 | 90S25HP66 | 25 | 6 | 22 | 78 | \$11,633.85 |
| 6180-057 | 90S30HP66 | 30 | 6 | 26 | 91 | \$12,990.36 |
| 6180-058 | 90S40HP66 | 40 | 6 | 30 | 104 | \$14,139.84 |

150 GPM

| Parts No. | Model No. | HP | MB | Stages | Wt. | Price |
|-----------|-------------|-----|----|--------|-----|-------------|
| 6180-021 | 150S5HP64 | 5 | 4 | 3 | 22 | \$3,257.89 |
| 6180-022 | 150S7.5HP66 | 7.5 | 6 | 4 | 30 | \$4,511.40 |
| 6180-023 | 150S10HP66 | 10 | 6 | 5 | 33 | \$4,789.50 |
| 6180-024 | 150S15HP66 | 15 | 6 | 8 | 46 | \$6,211.93 |
| 6180-025 | 150S20HP66 | 20 | 6 | 11 | 52 | \$6,772.25 |
| 6180-026 | 150S25HP66 | 25 | 6 | 14 | 67 | \$9,308.11 |
| 6180-027 | 150S30HP66 | 30 | 6 | 17 | 74 | \$11,211.55 |
| 6180-028 | 150S40HP66 | 40 | 6 | 23 | 97 | \$13,886.46 |
| 6180-029 | 150S50HP66 | 50 | 6 | 28 | 115 | \$16,693.21 |

230 GPM

| Parts No. | Model No. | HP | MB | Stages | Wt. | Price |
|-----------|-------------|-----|----|--------|-----|-------------|
| 6180-030 | 230S5HP64 | 5 | 4 | 2 | 20 | \$3,019.96 |
| 6180-031 | 230S7.5HP66 | 7.5 | 6 | 3 | 25 | \$3,336.17 |
| 6180-032 | 230S10HP66 | 10 | 6 | 4 | 34 | \$4,267.29 |
| 6180-033 | 230S15HP66 | 15 | 6 | 5 | 40 | \$5,191.20 |
| 6180-034 | 230S20HP66 | 20 | 6 | 7 | 50 | \$6,467.37 |
| 6180-035 | 230S25HP66 | 25 | 6 | 8 | 50 | \$7,345.96 |
| 6180-036 | 230S30HP66 | 30 | 6 | 10 | 81 | \$9,246.31 |
| 6180-037 | 230S40HP66 | 40 | 6 | 13 | 76 | \$12,729.77 |
| 6180-038 | 230S50HP66 | 50 | 6 | 17 | 99 | \$15,468.54 |
| 6180-039 | 230S60HP66 | 60 | 6 | 20 | 110 | \$16,640.68 |

300 GPM

| Parts No. | Model No. | HP | MB | Stages | Wt. | Price |
|-----------|-------------|-----|----|--------|-----|-------------|
| 6180-040 | 300S5HP64 | 5 | 4 | 1 | 15 | \$2,736.71 |
| 6180-041 | 300S7.5HP66 | 7.5 | 6 | 2 | 20 | \$3,583.37 |
| 6180-042 | 300S10HP66 | 10 | 6 | 3 | 20 | \$4,220.94 |
| 6180-043 | 300S15HP66 | 15 | 6 | 4 | 35 | \$5,005.80 |
| 6180-044 | 300S20HP66 | 20 | 6 | 6 | 46 | \$6,194.42 |
| 6180-045 | 300S25HP66 | 25 | 6 | 7 | 51 | \$7,030.78 |
| 6180-046 | 300S30HP66 | 30 | 6 | 9 | 63 | \$8,400.68 |
| 6180-047 | 300S40HP66 | 40 | 6 | 11 | 65 | \$9,999.24 |
| 6180-048 | 300S50HP66 | 50 | 6 | 14 | 108 | \$12,932.68 |
| 6180-049 | 300S60HP66 | 60 | 6 | 17 | 96 | \$15,085.38 |

8" Stainless Steel Pump Ends

400 GPM

| Parts No. | Model No. | HP | MB | Stages | Wt. | Price |
|-----------|-------------|-----|----|--------|-----|-------------|
| 6181-000 | 400S5HP86 | 5 | 6 | 1 | 55 | \$3,234.20 |
| 6181-001 | 400S7.5HP86 | 7.5 | 6 | 1 | 55 | \$3,234.20 |
| 6181-002 | 400S10HP86 | 10 | 6 | 2 | 63 | \$3,939.75 |
| 6181-003 | 400S15HP86 | 15 | 6 | 2 | 63 | \$4,667.96 |
| 6181-004 | 400S20HP86 | 20 | 6 | 3 | 71 | \$5,695.90 |
| 6181-005 | 400S25HP86 | 25 | 6 | 4 | 98 | \$6,609.51 |
| 6181-006 | 400S30HP86 | 30 | 6 | 5 | 106 | \$8,331.67 |
| 6181-007 | 400S40HP86 | 40 | 6 | 6 | 95 | \$9,259.70 |
| 6181-008 | 400S50HP86 | 50 | 6 | 7 | 103 | \$10,563.68 |
| 6181-009 | 400S60HP86 | 60 | 6 | 8 | 114 | \$11,360.90 |
| 6181-025 | 400S60HP88 | 60 | 8 | 8 | 120 | \$11,360.90 |
| 6181-010 | 400S75HP88 | 75 | 8 | 10 | 130 | \$19,646.22 |
| 6181-011 | 400S100HP88 | 100 | 8 | 13 | 153 | \$25,478.08 |

500 GPM

| Parts No. | Model No. | HP | MB | Stages | Wt. | Price |
|-----------|-------------|-----|----|--------|-----|-------------|
| 6181-012 | 500S5HP86 | 5 | 6 | 1 | 55 | \$3,153.86 |
| 6181-013 | 500S7.5HP86 | 7.5 | 6 | 1 | 55 | \$3,153.86 |
| 6181-014 | 500S10HP86 | 10 | 6 | 1 | 68 | \$3,924.30 |
| 6181-015 | 500S15HP86 | 15 | 6 | 2 | 78 | \$4,649.42 |
| 6181-016 | 500S20HP86 | 20 | 6 | 3 | 84 | \$6,265.49 |
| 6181-017 | 500S25HP86 | 25 | 6 | 3 | 88 | \$6,823.75 |
| 6181-018 | 500S30HP86 | 30 | 6 | 4 | 98 | \$7,791.95 |
| 6181-019 | 500S40HP86 | 40 | 6 | 5 | 108 | \$8,506.77 |
| 6181-020 | 500S50HP86 | 50 | 6 | 6 | 95 | \$10,339.14 |
| 6181-021 | 500S60HP86 | 60 | 6 | 7 | 106 | \$12,033.49 |
| 6181-026 | 500S60HP88 | 60 | 8 | 7 | 112 | \$12,033.49 |
| 6181-022 | 500S75HP88 | 75 | 8 | 8 | 114 | \$12,265.24 |
| 6181-023 | 500S100HP88 | 100 | 8 | 11 | 138 | \$16,180.27 |
| 6181-024 | 500S125HP88 | 125 | 8 | 13 | 153 | \$20,976.98 |

10" Stainless Steel Pump Ends



650 GPM

| Part No. | Model No. | HP | MB | Stages | Wt. | Price |
|----------|----------------|-----|----|--------|-----|-------------|
| 6200-207 | 650S15HP106 | 15 | 6 | 1 | 64 | \$4,953.27 |
| 6200-208 | 650S25HP106 | 25 | 6 | 1 | 65 | \$5,924.56 |
| 6200-209 | 650S30HP106 | 30 | 6 | 2 | 78 | \$6,953.53 |
| 6200-210 | 650S40HP106 | 40 | 6 | 2 | 79 | \$7,783.71 |
| 6200-211 | 650S40HP106H | 40 | 6 | 2 | 79 | \$8,139.06 |
| 6200-212 | 650S50HP106 | 50 | 6 | 3 | 93 | \$8,379.05 |
| 6200-213 | 650S60HP106 | 60 | 6 | 3 | 93 | \$9,356.52 |
| 6200-244 | 650S60HP108 | 60 | 8 | 3 | 105 | \$9,356.52 |
| 6200-214 | 650S75HP108H | 75 | 8 | 4 | 114 | \$10,595.61 |
| 6200-215 | 650S100HP108 | 100 | 8 | 4 | 115 | \$11,853.24 |
| 6200-216 | 650S100HP108H | 100 | 8 | 5 | 125 | \$13,558.92 |
| 6200-217 | 650S100HP108SH | 100 | 8 | 6 | 136 | \$14,348.93 |
| 6200-218 | 650S125HP108H | 125 | 8 | 6 | 137 | \$16,058.73 |
| 6200-219 | 650S125HP108SH | 125 | 8 | 7 | 147 | \$17,407.00 |

800 GPM

| Part No. | Model No. | HP | MB | Stages | Wt. | Price |
|----------|----------------|-----|----|--------|-----|-------------|
| 6200-220 | 800S20HP106 | 20 | 6 | 1 | 67 | \$5,089.23 |
| 6200-221 | 800S30HP106 | 30 | 6 | 1 | 67 | \$5,611.44 |
| 6200-222 | 800S40HP106 | 40 | 6 | 2 | 81 | \$6,643.50 |
| 6200-223 | 800S50HP106 | 50 | 6 | 2 | 81 | \$7,309.91 |
| 6200-224 | 800S50HP106H | 50 | 6 | 2 | 81 | \$7,711.61 |
| 6200-225 | 800S60HP106 | 60 | 6 | 3 | 98 | \$8,285.32 |
| 6200-245 | 800S60HP108 | 60 | 8 | 3 | 108 | \$8,285.32 |
| 6200-226 | 800S75HP108H | 75 | 8 | 3 | 98 | \$9,562.52 |
| 6200-227 | 800S100HP108 | 100 | 8 | 4 | 112 | \$11,391.80 |
| 6200-228 | 800S100HP108H | 100 | 8 | 4 | 112 | \$11,391.80 |
| 6200-229 | 800S125HP108 | 125 | 8 | 5 | 126 | \$11,827.49 |
| 6200-230 | 800S125HP108HH | 125 | 8 | 5 | 126 | \$11,827.49 |

1100 GPM

| Part No. | Model No. | HP | MB | Stages | Wt. | Price |
|----------|------------------|-----|----|--------|-----|-------------|
| 6200-231 | 1100S30HP106 | 30 | 6 | 1 | 101 | \$6,663.07 |
| 6200-232 | 1100S40HP106 | 40 | 6 | 1 | 101 | \$7,301.67 |
| 6200-233 | 1100S60HP106 | 60 | 6 | 2 | 123 | \$8,020.61 |
| 6200-246 | 1100S60HP108 | 60 | 8 | 2 | 133 | \$8,020.61 |
| 6200-234 | 1100S75HP108 | 75 | 8 | 2 | 123 | \$8,884.78 |
| 6200-235 | 1100S100HP108 | 100 | 8 | 2 | 123 | \$9,653.16 |
| 6200-236 | 1100S100HP108H | 100 | 8 | 3 | 144 | \$10,618.27 |
| 6200-237 | 1100S125HP108H | 125 | 8 | 3 | 144 | \$10,985.98 |
| 6200-238 | 1100S150HP108 | 150 | 8 | 4 | 166 | \$11,177.56 |
| 6200-239 | 1100S150HP108HH | 150 | 8 | 4 | 166 | \$12,265.24 |
| 6200-240 | 1100S175HP1010 | 175 | 10 | 5 | 200 | \$12,684.45 |
| 6200-241 | 1100S200HP1010 | 200 | 10 | 5 | 200 | \$13,920.45 |
| 6200-242 | 1100S250HP1010 | 250 | 10 | 7 | 222 | \$16,312.11 |
| 6200-243 | 1100S250HP1010HH | 250 | 10 | 7 | 222 | \$16,312.11 |

6", 7", 8", & 10" Baker Submersible Motors

Baker Submersible Motors



6" Water Well - Three Wire - Single Phase - 60 HZ (Control Box Required)

| Part No. | Model No. | HP | Volt | Wt. | Price |
|----------|------------------|-----|------|-----|------------|
| 3132-549 | SM0613 7.5HP230V | 7.5 | 230 | 155 | \$4,650.45 |
| 3132-547 | SM0613 10HP230V | 10 | 230 | 168 | \$5,309.65 |
| 3132-548 | SM0613 15HP230V | 15 | 230 | 185 | \$6,594.06 |



6" Water Well - Three Wire - Three Phase - 60 HZ (Starter Kit Required)

| Part No. | Model No. | HP | Volt | Wt. | Price |
|----------|-------------------|-----|------|-----|-----------------|
| 3132-551 | SM0633 5HP230V | 5 | 230 | 123 | \$3,531.87 |
| 3132-552 | SM0633 5HP460V | | 460 | 123 | \$3,531.87 |
| 3132-593 | SM0633 5HP575V | 7.5 | 575 | 123 | \$3,531.87 |
| 3132-553 | SM0633 7.5HP230V | | 230 | 131 | \$4,111.76 |
| 3132-554 | SM0633 7.5HP460V | 10 | 460 | 131 | \$4,111.76 |
| 3132-594 | SM0633 7.5HP575V | | 575 | 131 | \$4,111.76 |
| 3132-555 | SM0633 10HP230V | 15 | 230 | 137 | \$4,598.95 |
| 3132-556 | SM0633 10HP460V | | 460 | 137 | \$4,598.95 |
| 3132-570 | SM0633 10HP575V | 20 | 575 | 137 | \$4,598.95 |
| 3132-557 | SM0633 15HP230V | | 230 | 162 | \$5,284.93 |
| 3132-558 | SM0633 15HP460V | 25 | 460 | 158 | \$5,284.93 |
| 3132-572 | SM0633 15HP575V | | 575 | 162 | \$5,005.00 |
| 3132-559 | SM0633 20HP230V | 30 | 230 | 175 | \$6,483.85 |
| 3132-560 | SM0633 20HP460V | | 460 | 175 | \$6,483.85 |
| 3132-573 | SM0633 20HP575V | 40 | 575 | 175 | \$6,483.85 |
| 3132-561 | SM0633 25HP230V | | 230 | 192 | \$7,742.51 |
| 3132-562 | SM0633 25HP460V | 50 | 460 | 192 | \$7,742.51 |
| 3132-591 | SM0633 25HP575V | | 575 | 192 | \$7,742.51 |
| 3132-563 | SM0633 30HP230V | 60 | 230 | 205 | \$8,708.65 |
| 3132-749 | SM0633 30HP460VHD | | 460 | 205 | Contact Factory |
| 3132-750 | SM0633 30HP575VHD | 40 | 575 | 205 | Contact Factory |
| 3132-751 | SM0633 40HP460VHD | | 460 | 237 | Contact Factory |
| 3132-752 | SM0633 40HP575VHD | 50 | 575 | 237 | Contact Factory |
| 3132-753 | SM0633 50HP460VHD | | 460 | 256 | Contact Factory |
| 3132-754 | SM0633 50HP575VHD | 60 | 575 | 275 | Contact Factory |
| 3132-755 | SM0633 60HP460VHD | | 460 | 312 | Contact Factory |
| 3132-756 | SM0633 60HP575VHD | | 575 | 312 | Contact Factory |



7" Water Well - Three Wire - Three Phase

Cast Iron Ends

| Part No. | Model No. | HP | Volt | Wt. | Price |
|----------|-----------------|----|------|-----|-------------|
| 3132-728 | SM0733 30HP460V | 30 | 460 | 190 | \$10,235.11 |
| 3132-729 | SM0733 40HP460V | 40 | 460 | 228 | \$11,438.15 |
| 3132-730 | SM0733 50HP460V | 50 | 460 | 250 | \$12,231.25 |
| 3132-731 | SM0733 60HP460V | 60 | 460 | 281 | \$13,152.07 |
| 3132-732 | SM0733 75HP460V | 75 | 460 | 305 | \$14,679.56 |

Stainless Steel Ends

| Part No. | Model No. | HP | Volt | Wt. | Price |
|----------|-------------------|----|------|-----|-------------|
| 3132-759 | SM0733 30HP460VSS | 30 | 460 | 190 | \$9,937.00 |
| 3132-760 | SM0733 40HP460VSS | 40 | 460 | 228 | \$11,411.00 |
| 3132-761 | SM0733 50HP460VSS | 50 | 460 | 250 | \$11,875.00 |
| 3132-762 | SM0733 60HP460VSS | 60 | 460 | 281 | \$12,769.00 |
| 3132-763 | SM0733 75HP460VSS | 75 | 460 | 305 | \$14,252.00 |



8" Water Well - Three Wire - Three Phase

Cast Iron Ends

| Part No. | Model No. | HP | Volt | Wt. | Price |
|----------|------------------|-----|------|-----|-------------|
| 3132-716 | SM0833 40HP460V | 40 | 460 | 284 | \$10,352.53 |
| 3132-717 | SM0833 50HP460V | 50 | 460 | 305 | \$12,047.91 |
| 3132-718 | SM0833 60HP460V | 60 | 460 | 336 | \$13,333.35 |
| 3132-719 | SM0833 75HP460V | 75 | 460 | 376 | \$15,030.79 |
| 3132-720 | SM0833 100HP460V | 100 | 460 | 431 | \$19,206.41 |
| 3132-721 | SM0833 125HP460V | 125 | 460 | 469 | \$23,252.25 |
| 3132-722 | SM0833 150HP460V | 150 | 460 | 518 | \$24,128.00 |

Stainless Steel Ends

| Part No. | Model No. | HP | Volt | Wt. | Price |
|----------|--------------------|-----|------|-----|-------------|
| 3132-764 | SM0833 40HP460VSS | 40 | 460 | 284 | \$10,051.00 |
| 3132-765 | SM0833 50HP460VSS | 50 | 460 | 305 | \$11,697.00 |
| 3132-766 | SM0833 60HP460VSS | 60 | 460 | 336 | \$12,945.00 |
| 3132-767 | SM0833 75HP460VSS | 75 | 460 | 376 | \$14,593.00 |
| 3132-768 | SM0833 100HP460VSS | 100 | 460 | 431 | \$18,647.00 |
| 3132-769 | SM0833 125HP460VSS | 125 | 460 | 469 | \$22,575.00 |
| 3132-770 | SM0833 150HP460VSS | 150 | 460 | 518 | \$24,128.00 |

10" Water Well - Three Wire - Three Phase

| Part No. | Model No. | HP | Volt | Wt. | Price |
|----------|------------------|-----|------|-----|-------------|
| 3132-723 | SM1033 125HP460V | 125 | 460 | 626 | \$33,399.81 |
| 3132-724 | SM1033 150HP460V | 150 | 460 | 686 | \$39,687.96 |
| 3132-725 | SM1033 175HP460V | 175 | 460 | 745 | \$44,490.85 |
| 3132-726 | SM1033 200HP460V | 200 | 460 | 816 | \$46,771.27 |
| 3132-727 | SM1033 250HP460V | 250 | 460 | 893 | \$47,541.00 |

Baker Control Boxes



Deluxe Single Phase Control Boxes

- For use with 3-wire, single phase submersible motors 7 1/2 hp - 15 hp.
- Includes Magnetic Line Contactor, Capacitor Start and Capacitor Run.

| Part No. | Model No. | HP | Volt | Wt. | Price |
|----------|-------------------|-------|------|-----|------------|
| 6619-001 | SC0613 7.5HP230VD | 7 1/2 | 230 | 13 | \$1,830.00 |
| 6619-002 | SC0613 10HP230VD | 10 | 230 | 14 | \$2,757.31 |
| 6619-003 | SC0613 15HP230VD | 15 | 230 | 16 | \$4,947.09 |

6", 7", 8", & 10" Baker Control Boxes



Starter Kits with 230V/460V/575V

IEC Starter Kits for three phase motors

Each kit includes Nema1 enclosure, contactor, and overload assembled with the correct voltage coil needed

| Part No. | HP | Volt | Wt. | Price |
|----------|-------|------|-----|------------|
| 3131-309 | 5 | 230 | 5 | \$1,390.50 |
| 3131-310 | 7 1/2 | 230 | 6 | \$1,390.50 |
| 3131-311 | 10 | 230 | 9 | \$2,156.82 |
| 3131-312 | 15 | 230 | 9 | \$2,156.82 |
| 3131-313 | 20 | 230 | 20 | \$3,310.42 |
| 3131-314 | 25 | 230 | 20 | \$3,310.42 |
| 3131-315 | 30 | 230 | 20 | \$3,310.42 |

| Part No. | HP | Volt | Wt. | Price |
|----------|-------|------|-----|------------|
| 3131-322 | 5 | 460 | 5 | \$1,145.36 |
| 3131-323 | 7 1/2 | 460 | 5 | \$1,187.59 |
| 3131-324 | 10 | 460 | 5 | \$1,430.67 |
| 3131-325 | 15 | 460 | 5 | \$1,916.83 |
| 3131-326 | 20 | 460 | 9 | \$2,156.82 |
| 3131-327 | 25 | 460 | 9 | \$2,156.82 |
| 3131-328 | 30 | 460 | 9 | \$2,156.82 |
| 3131-329 | 40 | 460 | 9 | \$2,361.79 |
| 3131-330 | 50 | 460 | 20 | \$3,329.99 |
| 3131-331 | 60 | 460 | 20 | \$3,329.99 |
| 3131-332 | 75 | 460 | 20 | \$3,329.99 |

| Part No. | HP | Volt | Wt. | Price |
|----------|---------|------|-----|------------|
| 3131-335 | 5 | 575 | 10 | \$1,196.86 |
| 3131-336 | 7 1/2 | 575 | 10 | \$1,196.86 |
| 3131-337 | 10 | 575 | 10 | \$1,203.04 |
| 3131-338 | 15 | 575 | 10 | \$1,623.28 |
| 3131-339 | 20 | 575 | 10 | \$1,623.28 |
| 3131-340 | 25 & 30 | 575 | 10 | \$2,832.50 |
| 3131-341 | 40 | 575 | 10 | \$3,060.13 |
| 3131-342 | 50 | 575 | 10 | \$3,060.13 |

Pump Tanks



| | | | | | | |
|---------------------|---|--|---|--|---|---|
| 16 | 21 | P | V | 4 | F | |
| Series 16 | Gallons 2, 5, 16, 21, 32, 34, 42, 53, 62, 81, 86, 119 | Base P = Plastic M = Metal - = No Base | Position V = Vertical H = Horizontal | Connection Size 2 = 1/2" 3 = 3/4" 4 = 1" 5 = 1 1/4" | Connection M = Male F = Female | Expansion H = Hydronic T = Thermal |

Diaphragm Tanks

| Part Number | Model Number | Volume Gallons | Weight (LBS.) | CTN QTY | Price |
|-------------------|--------------|----------------|---------------|---------|------------|
| INLINE | | | | | |
| 6127-388 | 16002-V3M | 2 | 5.1 | 1 | \$114.33 |
| 6127-389 | 16005-V3M | 5 | 8.2 | 1 | \$146.26 |
| 6127-390 | 16006-V3M | 6 | 8.2 | 1 | \$180.25 |
| HORIZONTAL | | | | | |
| 6127-391 | 16006PH4M | 5 | 9.7 | 1 | \$182.31 |
| 6127-392 | 16010PH4M | 10 | 16.4 | 1 | \$228.66 |
| 6127-393 | 16016PH4M | 16 | 24.5 | 1 | \$362.56 |
| 6127-394 | 16021PH4M | 21 | 32.5 | 1 | \$482.04 |
| 6127-395 | 16026PH4M | 26 | 33.1 | 1 | \$631.39 |
| VERTICAL | | | | | |
| 6127-396 | 16016PV4F | 16 | 24.3 | 1 | \$433.63 |
| 6127-397 | 16021PV4F | 21 | 32.2 | 1 | \$573.71 |
| 6127-398 | 16026PV4F | 26 | 33.5 | 1 | \$739.54 |
| 6127-399 | 16032PV4F | 32 | 50.1 | 1 | \$1,026.91 |
| 6127-400 | 16034PV5F | 34 | 54.1 | 1 | \$1,111.37 |
| 6127-401 | 16042PV5F | 42 | 61.3 | 1 | \$1,376.08 |
| 6127-402 | 16053PV5F | 53 | 68.6 | 1 | \$1,430.67 |
| 6127-403 | 16062PV5F | 62 | 83.2 | 1 | \$1,700.53 |
| 6127-404 | 16081PV5F | 81 | 103.9 | 1 | \$1,886.96 |
| 6127-405 | 16086MV5F | 86 | 106.9 | 1 | \$2,526.59 |
| 6127-406 | 16119MV5F | 119 | 135.6 | 1 | \$2,899.45 |



Hydronic Expansion Tanks

| Part Number | Model Number | Volume Gallons | Weight (LBS.) | CTN QTY | Price |
|-----------------|--------------|----------------|---------------|---------|----------|
| HYDRONIC | | | | | |
| 6127-407 | 16002-V2MH | 2 | 5 | 1 | \$115.00 |
| 6127-408 | 16005-V2MH | 5 | 8.2 | 1 | \$182.00 |



Thermal Expansion Tanks

| Part Number | Model Number | Volume Gallons | Weight (LBS.) | CTN QTY | Price |
|--------------------------|--------------|----------------|---------------|---------|----------|
| THERMAL EXPANSION | | | | | |
| 6127-413 | 16002-V3MT | 2 | 5.1 | 1 | \$74.00 |
| 6127-414 | 16005-V3MT | 5 | 8.4 | 1 | \$125.00 |

Jet Pumps



8100 Series Shallow Well Jet Pumps - Nema J Motor - High Capacity

| Part No. | Model No. | HP | Volts | Impeller | Wt. | Price |
|----------|-----------|-----|----------------|----------|-----|------------|
| 6156-101 | 8150 | 1/2 | 115/230 | plastic | 44 | \$1,349.30 |
| 6156-100 | 8151 | 1/2 | 115/230 | brass | 46 | \$1,472.90 |
| 6157-106 | 8170 | 3/4 | 230/115 | plastic | 47 | \$1,490.41 |
| 6157-100 | 8171 | 3/4 | 230/115 | brass | 50 | \$1,735.55 |
| 6158-106 | 8110 | 1 | 230/115 | plastic | 51 | \$1,596.50 |
| 6158-100 | 8111 | 1 | 230/115 | brass | 52 | \$1,831.34 |

8100HP Series Shallow Well Jet Pumps - Nema J Motor- High Pressure

| Part No. | Model No. | HP | Volts | Impeller | Wt. | Price |
|----------|-----------|-----|----------------|----------|-----|------------|
| 6156-115 | 8150HP | 1/2 | 115/230 | plastic | 45 | \$1,349.30 |
| 6156-114 | 8151HP | 1/2 | 115/230 | brass | 47 | \$1,472.90 |
| 6157-107 | 8170HP | 3/4 | 230/115 | plastic | 48 | \$1,490.41 |
| 6157-105 | 8171HP | 3/4 | 230/115 | brass | 49 | \$1,735.55 |
| 6158-107 | 8110HP | 1 | 230/115 | plastic | 51 | \$1,598.56 |
| 6158-105 | 8111HP | 1 | 230/115 | brass | 53 | \$1,831.34 |



8300 E-Series Shallow Well Jet Pumps

| Part No. | Model No. | HP | Volts | Impeller | Wt. | Price |
|----------|-----------|-------|----------------|----------|-----|------------|
| 6156-125 | 8350 | 1/2 | 115/230 | plastic | 57 | \$1,026.91 |
| 6156-143 | 8350HP | 1/2 | 115/230 | plastic | 59 | \$1,026.91 |
| 6156-126 | 8370 | 3/4 | 230/115 | plastic | 60 | \$1,262.78 |
| 6156-127 | 8310 | 1 | 230/115 | plastic | 68 | \$1,312.22 |
| 6156-128 | 8315 | 1 1/2 | 230/115 | plastic | 73 | \$1,482.17 |

*8350HP High Pressure



8500 Series Shallow Well Jet Pumps - Square Flange - High Capacity

| Part No. | Model No. | HP | Volts | Impeller | Wt. | Price |
|----------|-----------|-----|----------------|----------|-----|------------|
| 6164-001 | 8550 | 1/2 | 115/230 | plastic | 42 | \$1,185.53 |
| 6164-020 | 8551 | 1/2 | 115/230 | brass | 43 | \$1,372.99 |
| 6164-002 | 8570 | 3/4 | 230/115 | plastic | 43 | \$1,290.59 |
| 6164-023 | 8571 | 3/4 | 230/115 | brass | 45 | \$1,512.04 |
| 6164-003 | 8510 | 1 | 230/115 | plastic | 45 | \$1,415.22 |
| 6164-006 | 8511 | 1 | 230/115 | brass | 47 | \$1,660.36 |

8500HP Series Shallow Well Jet Pumps - Square Flange- High Pressure

| Part No. | Model No. | HP | Volts | Impeller | Wt. | Price |
|----------|-----------|-----|----------------|----------|-----|------------|
| 6164-008 | 8550HP | 1/2 | 115/230 | plastic | 40 | \$1,185.53 |
| 6164-021 | 8551HP | 1/2 | 115/230 | brass | 40 | \$1,372.99 |
| 6164-013 | 8570HP | 3/4 | 230/115 | plastic | 42 | \$1,290.59 |
| 6164-024 | 8571HP | 3/4 | 230/115 | brass | 43 | \$1,512.04 |
| 6164-015 | 8510HP | 1 | 230/115 | plastic | 45 | \$1,415.22 |
| 6164-017 | 8511HP | 1 | 230/115 | brass | 46 | \$1,660.36 |

*Factory Voltage Setting listed first in bold type.



8200 Series Convertible Jet Pumps - Nema J Motor

| Part No. | Model No. | HP | Volts | Impeller | Wt. | Price |
|----------|-----------|-----|----------------|----------|-----|------------|
| 6161-101 | 8250 | 1/2 | 115/230 | plastic | 42 | \$1,323.55 |
| 6161-100 | 8251 | 1/2 | 115/230 | brass | 42 | \$1,433.76 |
| 6162-105 | 8270 | 3/4 | 230/115 | plastic | 44 | \$1,466.72 |
| 6162-100 | 8271 | 3/4 | 230/115 | brass | 45 | \$1,710.83 |
| 6163-105 | 8210 | 1 | 230/115 | plastic | 48 | \$1,569.72 |
| 6163-100 | 8211 | 1 | 230/115 | brass | 49 | \$1,764.39 |



8600 Series Convertible Jet Pumps - Square Flange Motor

| Part No. | Model No. | HP | Volts | Impeller | Wt. | Price |
|----------|-----------|-----|----------------|----------|-----|------------|
| 6165-001 | 8650 | 1/2 | 115/230 | plastic | 37 | \$1,145.36 |
| 6165-013 | 8651 | 1/2 | 115/230 | brass | 40 | \$1,324.58 |
| 6165-002 | 8670 | 3/4 | 230/115 | plastic | 39 | \$1,287.50 |
| 6165-015 | 8671 | 3/4 | 230/115 | brass | 41 | \$1,507.92 |
| 6165-003 | 8610 | 1 | 230/115 | plastic | 39 | \$1,415.22 |
| 6165-010 | 8611 | 1 | 230/115 | brass | 42 | \$1,660.36 |



8000 Series Convertible Jet Pumps

| Part No. | Model No. | HP | Volts | Impeller | Wt. | Price |
|----------|-----------|-------|----------------|----------|-----|------------|
| 6156-152 | 8050 | 1/2 | 115/230 | plastic | 54 | \$1,095.92 |
| 6156-153 | 8070 | 3/4 | 230/115 | plastic | 57 | \$1,325.61 |
| 6156-154 | 8010 | 1 | 230/115 | plastic | 63 | \$1,365.78 |
| 6156-155 | 8015 | 1 1/2 | 230/115 | plastic | 70 | \$1,512.04 |

Multi-Stage Jet Pumps



1500 Series - Nema C Motor

| Part No. | Model No. | HP | Volts | Impeller | Wt. | Price |
|----------|-----------|-----|----------------|----------|-----|------------|
| 6321-100 | 1575 | 3/4 | 230/115 | brass | 64 | \$3,311.45 |
| 6321-101 | 1575P | 3/4 | 230/115 | plastic | 62 | \$2,836.62 |
| 6322-100 | 1510 | 1 | 230/115 | brass | 63 | \$3,668.86 |
| 6322-101 | 1510P | 1 | 230/115 | plastic | 65 | \$3,013.78 |

1500SW Series - Nema C Motor

(SW = No regulating valve)

| Part No. | Model No. | HP | Volts | Impeller | Wt. | Price |
|----------|-----------|-------|----------------|----------|-----|------------|
| 6324-100 | 1510SW | 1 | 230/115 | brass | 65 | \$3,309.39 |
| 6324-101 | 1510SWP | 1 | 230/115 | plastic | 64 | \$2,824.26 |
| 6325-100 | 1515SW | 1 1/2 | 230/115 | brass | 68 | \$3,435.05 |
| 6325-101 | 1515SWP | 1 1/2 | 230/115 | plastic | 65 | \$2,942.71 |

*Factory Voltage Setting listed first in bold type.



Ejector Packages

8000 Ejector Packages



Single Stage - Shallow Well

Jet Pumps - High Capacity

| Part No. | Model No. | HP | Wt. | Ctn Qty | Price |
|----------|-----------|-------|-----|---------|----------|
| 6156-156 | 8050JP | 1/2 | 10 | 1 | \$142.00 |
| 6156-179 | 8050HPJP | 1/2 | 10 | 1 | \$146.26 |
| 6156-157 | 8070JP | 3/4 | 10 | 1 | \$146.26 |
| 6156-158 | 8010JP | 1 | 10 | 1 | \$146.26 |
| 6156-159 | 8015JP | 1 1/2 | 10 | 1 | \$146.26 |

Single Stage - Deep Well 4" Two Pipe

Jet Pumps

| Part No. | Model No. | HP | Depth to Water (Ft.) | Wt. | Ctn Qty | Price |
|----------|-----------|-------|----------------------|-----|---------|----------|
| 6156-173 | 8050D4JP | 1/2 | 30/90' | 3 | 1 | \$320.33 |
| 6156-174 | 8070D4JP | 3/4 | 30/110' | 3 | 1 | \$320.33 |
| 6156-175 | 8010D4JP | 1 | 30/110' | 3 | 1 | \$320.33 |
| 6156-176 | 8015D4JP | 1 1/2 | 30/150' | 3 | 1 | \$666.00 |

To order less foot valve, add L to model number.

Single Stage - Deep Well 2" Single Pipe

Jet Pumps

| Part No. | Model No. | HP | Depth to Water (Ft.) | Wt. | Ctn Qty | Price |
|----------|-----------|-----|----------------------|-----|---------|----------|
| 6156-169 | 8050D2JP | 1/2 | 30/80' | 3 | 1 | \$400.00 |
| 6156-170 | 8070D2JP | 3/4 | 30/90' | 3 | 1 | \$400.00 |
| 6156-171 | 8010D2JP | 1 | 30/100' | 3 | 1 | \$400.00 |

To order less foot valve, add L to model number.

8200/8600 Ejector Packages



Single Stage - Shallow Well

Jet Pumps - High Capacity

| Part No. | Model No. | HP | Wt. | Ctn Qty | Price |
|----------|-----------|-----|-----|---------|----------|
| 6423-101 | 651JP | 1/2 | 5 | 1 | \$221.45 |
| 6423-102 | 652JP | 3/4 | 5 | 1 | \$221.45 |
| 6423-103 | 653JP | 1 | 5 | 1 | \$221.45 |

Jet Pumps - High Pressure

| Part No. | Model No. | HP | Wt. | Ctn Qty | Price |
|----------|-----------|-----|-----|---------|----------|
| 6423-105 | 655JP | 1/2 | 5 | 1 | \$215.00 |
| 6423-106 | 656JP | 3/4 | 5 | 1 | \$215.00 |
| 6423-107 | 657JP | 1 | 5 | 1 | \$215.00 |

*1/3 HP 8600 Series ONLY

Single Stage - Deep Well

Jet Pumps - 4" Two Pipe

| Part No. | Model No. | HP | Depth to Water (Ft.) | Wt. | Ctn Qty | Price |
|----------|-----------|---------|----------------------|-----|---------|----------|
| 5999-008 | 7508JP | 1/2 | 30/50' | 4 | 1 | \$320.33 |
| 5999-007 | 7509JP | 1/2 | 40/80' | 4 | 1 | \$320.33 |
| 5999-000 | 7901JP | 3/4 & 1 | 30/50' | 4 | 1 | \$320.33 |
| 5999-001 | 7902JP | 1 | 50/80' | 4 | 1 | \$320.33 |
| 5999-047 | 7903JP | 1 | 80/110' | 3 | 1 | \$320.33 |
| 5999-002 | 7906JP | 3/4 | 50/80" | 4 | 1 | \$320.33 |
| 5999-003 | 7907JP | 3/4 | 80/100" | 3 | 1 | \$320.33 |

To order less foot valve, add L to model number.

Jet Pumps - 2" Single Pipe

| Part No. | Model No. | HP | Depth to Water (Ft.) | Wt. | Ctn Qty | Price |
|----------|-----------|---------|----------------------|-----|---------|----------|
| 5999-056 | 7735JP | 1/2 | 30/50' | 3 | 1 | \$412.00 |
| 5999-057 | 7736JP | 1/2 | 40/70' | 3 | 1 | \$412.00 |
| 5999-071 | 7808JP | 3/4 & 1 | 30/50' | 3 | 1 | \$412.00 |
| 5999-062 | 7809JP | 1 | 50/80' | 3 | 1 | \$412.00 |
| 5999-063 | 7810JP | 1 | 80/110' | 4 | 1 | \$412.00 |
| 5999-064 | 7812JP | 3/4 | 50/80" | 3 | 1 | \$412.00 |
| 5999-065 | 7813JP | 3/4 | 80/100" | 4 | 1 | \$412.00 |

To order less foot valve, add L to model number.

Deep Well Jet Kits

| Part No. | Model No. | HP | Well Casing | Depth to Water (Ft.) | Wt. | Ctn Qty | Price |
|----------|-----------|----|-------------|----------------------|-----|---------|----------|
| 5999-115 | 7508/9JP | | 4" | 30-80' | 3 | 1 | \$335.00 |
| 5999-116 | 7735/6JP | | 2" | 30-70' | 3 | 1 | \$419.00 |
| 5999-117 | 7906/7JP | | 4" | 50-110' | 3 | 1 | \$335.00 |
| 5999-118 | 7812/3JP | | 2" | 50-110' | 3 | 1 | \$419.00 |
| 5999-120 | 7809/10JP | | 2" | 50-120' | 3 | 1 | \$419.00 |

To order less foot valve, add L to model number.



Single Pipe 2" Well Casing
Two Pipe 4" Well Casing

Ejector Packages

1500 Ejector Packages



Multi Stage - Shallow Well

1500 Series

| Part No. | Model No. | For Model | Wt. | Ctn Qty | Price |
|----------|-----------|-----------|-----|---------|----------|
| 6423-108 | 659JP | 1575 | 5 | 1 | \$221.45 |
| 6423-109 | 658JP | 1510 | 5 | 1 | \$221.45 |
| 6423-102 | 652JP | 1515 | 5 | 1 | \$221.45 |



Multi Stage - Deep Well

Jet Pumps - 4" Two Pipe

| Part No. | Model No. | For Model | Depth to Water (Ft.) | Wt. | Ctn Qty | Price |
|----------|-----------|-----------|----------------------|-----|---------|----------|
| 5999-014 | 7109MP | 1575 | 30/70' | 4 | 1 | \$425.39 |
| 5999-096 | 7110MP | 1575 | 60/110' | 3 | 1 | \$425.39 |
| 5999-025 | 7111MP | 1575 | 90/150' | 4 | 1 | \$425.39 |
| 5999-005 | 7112MP | 1510 | 30/80' | 3 | 1 | \$425.39 |
| 5999-006 | 7113MP | 1510 | 60/120' | 3 | 1 | \$425.39 |
| 5999-026 | 7114MP | 1510 | 100/160' | 3 | 1 | \$425.39 |

To order less foot valve, add L to model number.



Jet Pumps - 2" Single Pipe

| Part No. | Model No. | For Model | Depth to Water (Ft.) | Wt. | Ctn Qty | Price |
|----------|-----------|-----------|----------------------|-----|---------|----------|
| 5999-015 | 7125MP | 1575 | 30/70' | 3 | 1 | \$489.00 |
| 5999-072 | 7126MP | 1575 | 60/110' | 3 | 1 | \$503.67 |
| 5999-016 | 7127MP | 1575 | 90/150' | 3 | 1 | \$503.67 |
| 5999-017 | 7128MP | 1510 | 30/80' | 3 | 1 | \$503.67 |
| 5999-018 | 7129MP | 1510 | 60/120' | 3 | 1 | \$503.67 |
| 5999-019 | 7130MP | 1510 | 100/160' | 3 | 1 | \$503.67 |

To order less foot valve, add L to model number.

Casing, Adapters, and Flanges

All tapped for 1 1/4" suction pipe. Gaskets, bolts and washers included.



101 Casing Adapter

2" for all 8200/8600 & 1500 Series

| Part No. | Wt. | Ctn Qty | Price |
|----------|-----|---------|----------|
| 6450-103 | 9 | 1 | \$289.43 |

8000D2CA Casing Adapter

Deep Well Packer System Casing Adapter
1/2, 3/4, & 1 HP

| Part No. | Wt. | Ctn Qty | Price |
|----------|----------|---------|----------|
| 6156-210 | 8000D2CA | 8 | \$189.52 |

8000D2PCV Pressure Control Valve

1/2, 3/4, & 1 HP

| Part No. | Wt. | Ctn Qty | Price |
|----------|-----------|---------|----------|
| 6156-212 | 8000D2PCV | 4 | \$258.53 |

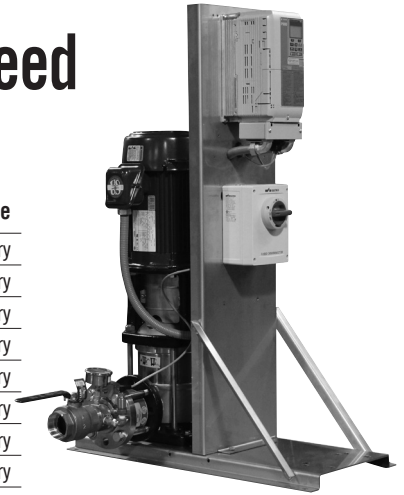
8000D2FV Packer System Foot Valve

1/2, 3/4, & 1 HP

| Part No. | Wt. | Ctn Qty | Price |
|----------|------------|---------|----------|
| 6156-214 | 8000D-P2FV | 2 | \$216.30 |

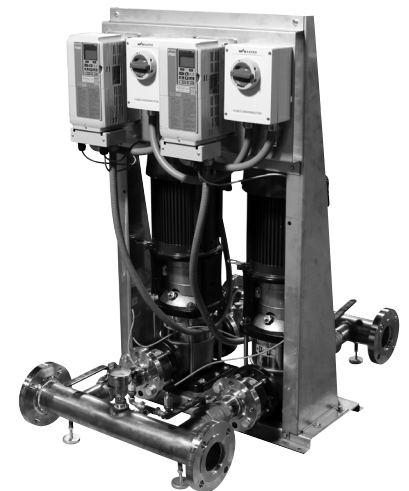
DuraMAC™ - Vertical Multistage Variable Speed Simplex Booster System (IQ1000)

| Model | Description | Pump Boost | Voltage | HP | Price |
|---------------|--------------------------|------------|--------------------------|-------|-----------------|
| 17062V080Y-1 | 62 PSI 230V VFD Booster | 62 PSI | 208 - 230 - Single Phase | 3 | Contact Factory |
| 17062V080Y-3 | 62 PSI 230V VFD Booster | 62 PSI | 208 - 230 - Three Phase | 3 | Contact Factory |
| 17084V080Y-1 | 84 PSI 230V VFD Booster | 84 PSI | 208 - 230 - Single Phase | 5 | Contact Factory |
| 17084V080Y-3 | 84 PSI 230V VFD Booster | 84 PSI | 208 - 230 - Three Phase | 5 | Contact Factory |
| 17104V080Y-1 | 104 PSI 230V VFD Booster | 104 PSI | 208 - 230 - Single Phase | 5 | Contact Factory |
| 17104V080Y-3 | 104 PSI 230V VFD Booster | 104 PSI | 208 - 230 - Three Phase | 5 | Contact Factory |
| 17150V080Y-3 | 150 PSI 230V VFD Booster | 150 PSI | 208 - 230 - Three Phase | 7 1/2 | Contact Factory |
| 17142V120Y-3 | 142 PSI 230V VFD Booster | 142 PSI | 208 - 230 - Three Phase | 10 | Contact Factory |
| 17056V120Y-1 | 56 PSI 230V VFD Booster | 56 PSI | 208 - 230 - Single Phase | 5 | Contact Factory |
| 17060V140Y-3 | 60 PSI 230V VFD Booster | 60 PSI | 208 - 230 - Three Phase | 5 | Contact Factory |
| 17088V140Y-3 | 88 PSI 230V VFD Booster | 88 PSI | 208 - 230 - Three Phase | 7 1/2 | Contact Factory |
| 17062V080Y-34 | 62 PSI 460V VFD Booster | 62 PSI | 460 - Three Phase | 3 | Contact Factory |
| 17084V080Y-34 | 84 PSI 460V VFD Booster | 84 PSI | 460 - Three Phase | 5 | Contact Factory |
| 17104V080Y-34 | 104 PSI 460V VFD Booster | 104 PSI | 460 - Three Phase | 5 | Contact Factory |
| 17150V080Y-34 | 150 PSI 460V VFD Booster | 150 PSI | 460 - Three Phase | 7 1/2 | Contact Factory |
| 17142V120Y-34 | 142 PSI 460V VFD Booster | 142 PSI | 460 - Three Phase | 10 | Contact Factory |
| 17060V140Y-34 | 60 PSI 460V VFD Booster | 60 PSI | 460 - Three Phase | 5 | Contact Factory |
| 17088V140Y-34 | 88 PSI 460V VFD Booster | 88 PSI | 460 - Three Phase | 7 1/2 | Contact Factory |



DuraMAC™ - Vertical Multistage Variable Speed Duplex Booster System (IQ1000)

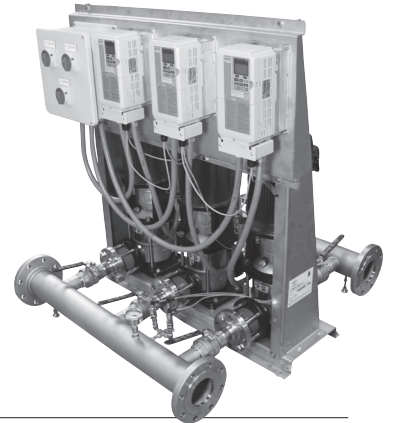
| Model | Description | Pump Boost | Voltage | HP | Price |
|---------------|--------------------------|------------|--------------------------|-------|-----------------|
| 17062V160Y-1 | 62 PSI 230V VFD Booster | 62 PSI | 208 - 230 - Single Phase | 3 | Contact Factory |
| 17062V160Y-3 | 62 PSI 230V VFD Booster | 62 PSI | 208 - 230 - Three Phase | 3 | Contact Factory |
| 17084V160Y-1 | 84 PSI 230V VFD Booster | 84 PSI | 208 - 230 - Single Phase | 5 | Contact Factory |
| 17084V160Y-3 | 84 PSI 230V VFD Booster | 84 PSI | 208 - 230 - Three Phase | 5 | Contact Factory |
| 17104V160Y-1 | 104 PSI 230V VFD Booster | 104 PSI | 208 - 230 - Single Phase | 5 | Contact Factory |
| 17104V160Y-3 | 104 PSI 230V VFD Booster | 104 PSI | 208 - 230 - Three Phase | 5 | Contact Factory |
| 17150V160Y-3 | 150 PSI 230V VFD Booster | 150 PSI | 208 - 230 - Three Phase | 7 1/2 | Contact Factory |
| 17142V240Y-3 | 142 PSI 230V VFD Booster | 142 PSI | 208 - 230 - Three Phase | 10 | Contact Factory |
| 17056V240Y-1 | 56 PSI 230V VFD Booster | 56 PSI | 208 - 230 - Single Phase | 5 | Contact Factory |
| 17060V280Y-3 | 60 PSI 230V VFD Booster | 60 PSI | 208 - 230 - Three Phase | 5 | Contact Factory |
| 17088V280Y-3 | 88 PSI 230V VFD Booster | 88 PSI | 208 - 230 - Three Phase | 7 1/2 | Contact Factory |
| 17084V160Y-34 | 84 PSI 460V VFD Booster | 84 PSI | 460 - Three Phase | 5 | Contact Factory |
| 17104V160Y-34 | 104 PSI 460V VFD Booster | 104 PSI | 460 - Three Phase | 5 | Contact Factory |
| 17150V160Y-34 | 150 PSI 460V VFD Booster | 150 PSI | 460 - Three Phase | 7 1/2 | Contact Factory |
| 17142V240Y-34 | 142 PSI 460V VFD Booster | 142 PSI | 460 - Three Phase | 10 | Contact Factory |
| 17060V280Y-34 | 60 PSI 460V VFD Booster | 60 PSI | 460 - Three Phase | 5 | Contact Factory |
| 17088V280Y-34 | 88 PSI 460V VFD Booster | 88 PSI | 460 - Three Phase | 7 1/2 | Contact Factory |



DuraMAC™ Booster Pumps

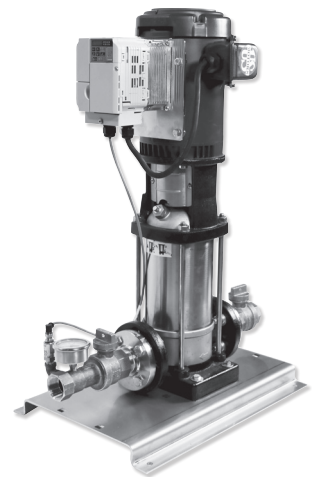
DuraMAC™ - Vertical Multistage Variable Speed Triplex Booster System (IQ1000)

| Model | Description | Pump Boost | Voltage | HP | Price |
|--------------|--------------------------|------------|-------------------------|-------|-----------------|
| 17062V240Y-3 | 62 PSI 230V VFD Booster | 62 PSI | 208 - 230 - Three Phase | 3 | Contact Factory |
| 17084V240Y-3 | 84 PSI 230V VFD Booster | 84 PSI | 208 - 230 - Three Phase | 5 | Contact Factory |
| 17104V240Y-3 | 104 PSI 230V VFD Booster | 104 PSI | 208 - 230 - Three Phase | 5 | Contact Factory |
| 17150V240Y-3 | 150 PSI 230V VFD Booster | 150 PSI | 208 - 230 - Three Phase | 7 1/2 | Contact Factory |
| 17142V360Y-3 | 142 PSI 230V VFD Booster | 142 PSI | 208 - 230 - Three Phase | 10 | Contact Factory |
| 17060V420Y-3 | 60 PSI 230V VFD Booster | 60 PSI | 208 - 230 - Three Phase | 5 | Contact Factory |
| 17088V420Y-3 | 88 PSI 230V VFD Booster | 88 PSI | 208 - 230 - Three Phase | 7 1/2 | Contact Factory |



DuraMAC™ - Vertical Multistage Variable Speed Simplex Booster System (Micro)

| Model | Description | Pump Boost | Voltage | GPM | HP | Price |
|--------------|--------------------------|------------|-------------------|-----|-------|-----------------|
| 17103V020Y-1 | 103 PSI 230V VFD Booster | 103 PSI | 230V Single Phase | 20 | 1 1/2 | Contact Factory |
| 17103V020Y-3 | 103 PSI 230V VFD Booster | 103 PSI | 230V Three Phase | 20 | 1 1/2 | Contact Factory |
| 17140V020Y-1 | 140 PSI 230V VFD Booster | 140 PSI | 230V Single Phase | 20 | 2 | Contact Factory |
| 17140V020Y-3 | 140 PSI 230V VFD Booster | 140 PSI | 230V Three Phase | 20 | 2 | Contact Factory |
| 17066V040Y-1 | 66 PSI 230V VFD Booster | 66 PSI | 230V Single Phase | 40 | 2 | Contact Factory |
| 17066V040Y-3 | 66 PSI 230V VFD Booster | 66 PSI | 230V Three Phase | 40 | 2 | Contact Factory |
| 17110V040Y-1 | 110 PSI 230V VFD Booster | 110 PSI | 230V Single Phase | 40 | 3 | Contact Factory |
| 17110V040Y-3 | 110 PSI 230V VFD Booster | 110 PSI | 230V Three Phase | 40 | 3 | Contact Factory |
| 17122V040Y-1 | 122 PSI 230V VFD Booster | 122 PSI | 230V Single Phase | 40 | 3 | Contact Factory |
| 17122V040Y-3 | 122 PSI 230V VFD Booster | 122 PSI | 230V Three Phase | 40 | 3 | Contact Factory |



DuraMAC™ - Vertical Multistage Variable Speed Duplex Booster System (Micro)

| Model | Description | Pump Boost | Voltage | GPM | HP | Price |
|--------------|--------------------------|------------|-------------------|-----|-------|-----------------|
| 17103V040Y-1 | 103 PSI 230V VFD Booster | 103 PSI | 230V Single Phase | 40 | 1 1/2 | Contact Factory |
| 17103V040Y-3 | 103 PSI 230V VFD Booster | 103 PSI | 230V Three Phase | 40 | 1 1/2 | Contact Factory |
| 17140V040Y-1 | 140 PSI 230V VFD Booster | 140 PSI | 230V Single Phase | 40 | 2 | Contact Factory |
| 17140V040Y-3 | 140 PSI 230V VFD Booster | 140 PSI | 230V Three Phase | 40 | 2 | Contact Factory |
| 17066V080Y-1 | 66 PSI 230V VFD Booster | 66 PSI | 230V Single Phase | 80 | 2 | Contact Factory |
| 17066V080Y-3 | 66 PSI 230V VFD Booster | 66 PSI | 230V Three Phase | 80 | 2 | Contact Factory |
| 17110V080Y-1 | 110 PSI 230V VFD Booster | 110 PSI | 230V Single Phase | 80 | 3 | Contact Factory |
| 17110V080Y-3 | 110 PSI 230V VFD Booster | 110 PSI | 230V Three Phase | 80 | 3 | Contact Factory |
| 17122V080Y-1 | 122 PSI 230V VFD Booster | 122 PSI | 230V Single Phase | 80 | 3 | Contact Factory |
| 17122V080Y-3 | 122 PSI 230V VFD Booster | 122 PSI | 230V Three Phase | 80 | 3 | Contact Factory |



DuraMAC™

Water Pressure Booster System



E-Series No-Lead or Stainless Steel Booster Pump

E-Series Booster Pumps

| Part No. | Model No. | Pump Boost | Voltage | Wt. | Ctn Qty | Price |
|----------|----------------|------------|-------------|-----|---------|------------|
| 6010-101 | 18035R020PC1 | 35 PSI | 120 - 60 Hz | 27 | 1 | \$2,011.59 |
| 6010-102 | 18052R020PC1 | 52 PSI | 120 - 60 Hz | 31 | 1 | \$2,229.95 |
| 6010-110 | 18035R020PC1SS | 35 PSI | 120 - 60 Hz | 27 | 1 | \$2,262.91 |
| 6010-111 | 18052R020PC1SS | 52 PSI | 120 - 60 Hz | 31 | 1 | \$2,476.12 |

Residential Boosters

| Part No. | Model No. | Pump Boost | Voltage | Wt. | Ctn Qty | Price |
|----------|--------------|------------|-------------|-----|---------|------------|
| 6010-006 | 17035R020PC1 | 35 PSI | 120 - 60 Hz | 32 | 1 | \$2,880.91 |
| 6010-007 | 17052R020PC1 | 52 PSI | 120 - 60 Hz | 34 | 1 | \$3,236.26 |
| 6010-008 | 17070R020PC2 | 70 PSI | 230 - 60 Hz | 38 | 1 | \$3,853.23 |

Light Commercial Boosters

| Part No. | Model No. | Pump Boost | Stages | Wt. | Ctn Qty | Price |
|----------|--------------|------------|-------------|-----|---------|------------|
| 6010-014 | 17040C035PC2 | 40 PSI | 230 - 60 Hz | 38 | 1 | \$3,741.99 |
| 6010-015 | 17062C035PC2 | 62 PSI | 230 - 60 Hz | 40 | 1 | \$3,944.90 |
| 6010-016 | 17078C035PC2 | 78 PSI | 230 - 60 Hz | 42 | 1 | \$4,159.14 |



Residential

Light Commercial

Commercial Boosters



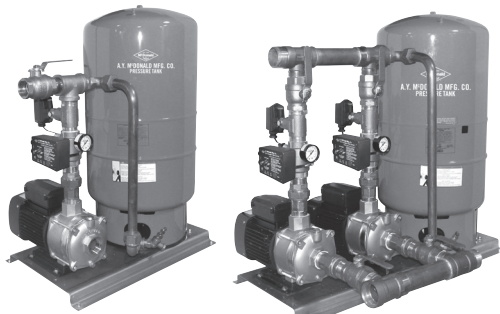
Dual-Mode Modular

Dual-Mode Modular

| Part No. | Model No. | Pump Boost | Voltage | Wt. | Ctn Qty | Price |
|----------|----------------|------------|-------------|-----|---------|------------|
| 6011-005 | 17044C070PC2-M | 44 PSI | 230 - 60 Hz | 56 | 1 | \$5,841.13 |
| 6011-006 | 17060C070PC2-M | 60 PSI | 230 - 60 Hz | 56 | 1 | \$6,204.72 |

Dual-Mode Simplex

| Part No. | Model No. | Pump Boost | Voltage | Wt. | Ctn Qty | Price |
|----------|----------------|------------|-------------|-----|---------|-------------|
| 6011-001 | 17044C070PC2-S | 44 PSI | 230 - 60 Hz | 168 | 1 | \$10,088.85 |
| 6011-003 | 17060C070PC2-S | 60 PSI | 230 - 60 Hz | 168 | 1 | \$11,752.30 |



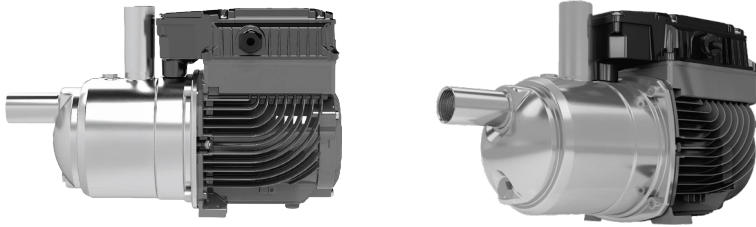
Dual-Mode Simplex

Dual-Mode Duplex

Dual-Mode Duplex

| Part No. | Model No. | Pump Boost | Stages | Wt. | Ctn Qty | Price |
|----------|----------------|------------|-------------|-----|---------|-------------|
| 6011-002 | 17044C120PC2-D | 44 PSI | 230 - 60 Hz | 252 | 1 | \$21,077.92 |
| 6011-004 | 17060C120PC2-D | 60 PSI | 230 - 60 Hz | 252 | 1 | \$23,753.86 |

VS Booster



VS Booster

| | |
|------------|--------------|
| Part No. | 6010-034 |
| Model No. | 17080V037C-2 |
| HP | 2 |
| List Price | \$3,597.00 |

VS Booster

| Part No. | Description | Model No. | Voltage | HP | Price |
|----------|--|--------------|---------|-------|------------|
| 6010-033 | 17080V022C-1 , VS RESIDENTIAL BOOSTER 1HP 0.65kW 120V | 17080V022C-1 | 120 | 1 | \$2,124.89 |
| 6903-059 | 27100PHBFC SPR BSTR PUMP 1HP 20GPM 1PH TEFC | 27100PHBFC | | 1 | \$2,595.60 |
| 6903-062 | 27150MHBZ SPR BSTR PUMP 1 1/2HP 25GPM 3PH | 27150MHBZ | | 1 1/2 | \$2,651.22 |
| 6903-064 | 27150KHBZ SPR BSTR PUMP 1 1/2HP 10GPM 3PH | 27150KHBZ | | 1 1/2 | \$2,653.28 |
| 6903-066 | 27050LHBY SPR BSTR PUMP 1/2HP 15GPM 3PH 460V | 27050LHBY | 460 | 1/2 | \$2,227.89 |
| 6903-067 | 27050VHBZ SPR BSTR PUMP 1/2HP 7GPM 3PH | 27050VHBZ | | 1/2 | \$2,074.42 |
| 6903-068 | 27075KHBZ BOOSTER PUMP 3/4HP 10GPM 3PH | 27075KHBZ | | 3/4 | \$2,038.37 |
| 6903-069 | 27150PHBZ SPR BSTR PUMP 1 1/2HP 20GPM 3PH | 27150PHBZ | | 1 1/2 | \$2,884.00 |
| 6903-070 | 27100PHBZ SPR BSTR PUMP 1HP 20GPM 3PH | 27100PHBZ | | 1 | \$2,469.94 |
| 6903-071 | 27050KHBZ SPR BSTR PUMP 1/2HP 10GPM 3PH | 27050KHBZ | | 1/2 | \$1,877.69 |
| 6903-072 | 27075JHBFC SPR BSTR PUMP 3/4HP 5GPM 1PH TEFC | 27075JHBFC | | 3/4 | \$2,595.60 |
| 6903-073 | 27200KHBZ SPR BSTR PUMP 2HP 10 GPM 3PH | 27200KHBZ | | 2 | \$3,316.60 |
| 6903-074 | 27100KHBZ SPR BSTR PUMP 1HP 10GPM 3PH | 27100KHBZ | | 1 | \$2,271.15 |
| 6903-075 | 27150KHBY SPR BSTR PUMP 1 1/2HP 10GPM 3PH | 27150KHBY | | 1 1/2 | \$2,653.28 |
| 6903-076 | 27200PHBZ SPR BSTR PUMP 2HP 20GPM 3PH | 27200PHBZ | | 2 | \$3,508.18 |
| 6903-078 | 27050KHBY SPR BSTR PUMP 1/2HP 10GPM 3PH 460V | 27050KHBY | 460 | 1/2 | \$1,877.69 |

Centrifugal Pumps - 27000 Super Booster

27000 Superbooster



J - 5 GPM

| Part No. | Model No. | HP | Volts | Wt. | Ctn Qty | Price |
|----------|-----------|-----|---------|-----|---------|------------|
| 6903-012 | 27050JHB | 1/2 | 115/230 | 38 | 1 | \$2,333.98 |
| 6903-013 | 27075JHB | 3/4 | 230/115 | 45 | 1 | \$2,595.60 |
| 6903-014 | 27100JHB | 1 | 230/115 | 46 | 1 | \$2,959.19 |

V - 7 GPM

| Part No. | Model No. | HP | Volts | Wt. | Ctn Qty | Price |
|----------|-----------|-----|---------|-----|---------|------------|
| 6903-015 | 27050VHB | 1/2 | 115/230 | 35 | 1 | \$2,074.42 |
| 6903-016 | 27075VHB | 3/4 | 230/115 | 40 | 1 | \$2,225.83 |
| 6903-017 | 27100VHB | 1 | 230/115 | 43 | 1 | \$2,568.82 |

K - 10 GPM

| Part No. | Model No. | HP | Volts | Wt. | Ctn Qty | Price |
|----------|-----------|-------|---------|-----|---------|------------|
| 6903-018 | 27050KHB | 1/2 | 115/230 | 35 | 1 | \$1,877.69 |
| 6903-011 | 27075KHB | 3/4 | 230/115 | 38 | 1 | \$2,038.37 |
| 6903-019 | 27100KHB | 1 | 230/115 | 41 | 1 | \$2,271.15 |
| 6903-020 | 27150KHB | 1 1/2 | 230/115 | 53 | 1 | \$2,653.28 |
| 6903-021 | 27200KHB | 2 | 230 | 53 | 1 | \$3,316.60 |

L - 15 GPM

| Part No. | Model No. | HP | Volts | Wt. | Ctn Qty | Price |
|----------|-----------|-------|---------|-----|---------|------------|
| 6903-042 | 27050LHB | 1/2 | 115/230 | 34 | 1 | \$2,227.89 |
| 6903-044 | 27075LHB | 3/4 | 230/115 | 35 | 1 | \$2,335.01 |
| 6903-046 | 27100LHB | 1 | 230/115 | 41 | 1 | \$2,541.01 |
| 6903-048 | 27150LHB | 1 1/2 | 230/115 | 52 | 1 | \$3,072.49 |
| 6903-050 | 27200LHB | 2 | 230 | 52 | 1 | \$3,340.29 |

P - 20 GPM

| Part No. | Model No. | HP | Volts | Wt. | Ctn Qty | Price |
|----------|-----------|-------|---------|-----|---------|------------|
| 6903-022 | 27075PHB | 3/4 | 230/115 | 39 | 1 | \$2,274.24 |
| 6903-023 | 27100PHB | 1 | 230/115 | 40 | 1 | \$2,469.94 |
| 6903-024 | 27150PHB | 1 1/2 | 230/115 | 52 | 1 | \$2,884.00 |
| 6903-025 | 27200PHB | 2 | 230 | 51 | 1 | \$3,508.18 |

M - 25 GPM

| Part No. | Model No. | HP | Volts | Wt. | Ctn Qty | Price |
|----------|-----------|-------|---------|-----|---------|------------|
| 6903-026 | 27100MHB | 1 | 230/115 | 37 | 1 | \$2,271.15 |
| 6903-027 | 27150MHB | 1 1/2 | 230/115 | 49 | 1 | \$2,651.22 |
| 6903-028 | 27200MHB | 2 | 230 | 52 | 1 | \$3,508.18 |

*Factory setting in bold

27000 Series Pump Ends Only

J - 5 GPM

| Part No. | Model No. | HP | Wt. | Ctn Qty | Price |
|----------|------------|-----|-----|---------|------------|
| 6903-063 | 27050JHBPE | 1/2 | 18 | 1 | \$1,415.22 |
| 6903-077 | 27075JHBPE | 3/4 | 21 | 1 | \$1,530.58 |
| 6903-058 | 27100JHBPE | 1 | 18 | 1 | \$1,773.66 |

V - 7 GPM

| Part No. | Model No. | HP | Wt. | Ctn Qty | Price |
|----------|------------|-----|-----|---------|------------|
| 6903-065 | 27050VHBPE | 1/2 | 13 | 1 | \$1,263.81 |
| 6903-034 | 27075VHBPE | 3/4 | 16 | 1 | \$1,360.63 |
| 6903-029 | 27100VHBPE | 1 | 16 | 1 | \$1,546.03 |

K - 10 GPM

| Part No. | Model No. | HP | Wt. | Ctn Qty | Price |
|----------|------------|-------|-----|---------|------------|
| 6903-037 | 27050KHBPE | 1/2 | 12 | 1 | \$1,128.88 |
| 6903-038 | 27075KHBPE | 3/4 | 14 | 1 | \$1,225.70 |
| 6903-033 | 27100KHBPE | 1 | 16 | 1 | \$1,364.75 |
| 6903-035 | 27150KHBPE | 1 1/2 | 18 | 1 | \$1,594.44 |
| 6903-036 | 27200KHBPE | 2 | 17 | 1 | \$1,992.02 |

L - 15 GPM

| Part No. | Model No. | HP | Wt. | Ctn Qty | Price |
|----------|------------|-------|-----|---------|------------|
| 6903-043 | 27050LHBPE | 1/2 | 12 | 1 | \$1,536.76 |
| 6903-045 | 27075LHBPE | 3/4 | 14 | 1 | \$1,559.42 |
| 6903-047 | 27100LHBPE | 1 | 15 | 1 | \$1,631.52 |
| 6903-049 | 27150LHBPE | 1 1/2 | 17 | 1 | \$1,841.64 |
| 6903-051 | 27200LHBPE | 2 | 16 | 1 | \$1,907.56 |

P - 20 GPM

| Part No. | Model No. | HP | Wt. | Ctn Qty | Price |
|----------|------------|-------|-----|---------|------------|
| 6903-052 | 27075PHBPE | 3/4 | 12 | 1 | \$1,369.90 |
| 6903-053 | 27100PHBPE | 1 | 15 | 1 | \$1,495.56 |
| 6903-040 | 27150PHBPE | 1 1/2 | 16 | 1 | \$1,734.52 |
| 6903-032 | 27200PHBPE | 2 | 20 | 1 | \$2,109.44 |

M - 25 GPM

| Part No. | Model No. | HP | Wt. | Ctn Qty | Price |
|----------|------------|-------|-----|---------|------------|
| 6903-030 | 27100MHBPE | 1 | 10 | 1 | \$1,594.44 |
| 6903-054 | 27150MHBPE | 1 1/2 | 12 | 1 | \$1,594.44 |
| 6903-031 | 27200MHBPE | 2 | 14 | 1 | \$1,960.09 |

Superbooster Repair Gage

| Part No. | Model No. | HP | Wt. | Ctn Qty | Price |
|----------|-----------|----|-----|---------|---------|
| 6903-041 | 27000KIT | | 0.3 | 1 | \$44.00 |

Centrifugal Pumps



Non-Potable
Use Only



92000 Series - Workhorse Single Phase

| Part No. | Model No. | HP | Voltage & Phase | Wt. | Price |
|----------|-----------|-------|-----------------|-----|------------|
| 6712-000 | 92030 | 1/3 | 115 / 230 / 1 | 32 | \$1,117.55 |
| 6712-001 | 92050 | 1/2 | 115 / 230 / 1 | 31 | \$1,182.44 |
| 6712-002 | 92070 | 3/4 | 230 / 115 / 1 | 35 | \$1,283.38 |
| 6712-003 | 92100 | 1 | 230 / 115 / 1 | 37 | \$1,413.16 |
| 6712-004 | 92150 | 1 1/2 | 230 / 115 / 1 | 41 | \$1,560.45 |
| 6712-005 | 92200 | 2 | 230 / 1 | 43 | \$2,015.71 |
| 6712-006 | 92250 | 2 1/2 | 230 / 1 | 43 | \$2,427.71 |
| 6712-007 | 92300 | 3 | 230 / 1 | 54 | \$2,900.48 |

93000 Series - Workhorse Three Phase

| Part No. | Model No. | HP | Voltage & Phase | Wt. | Price |
|----------|-----------|-------|-----------------|-----|------------|
| 6712-010 | 93050 | 1/2 | 230 / 3 | 32 | \$1,220.55 |
| 6712-011 | 93070 | 3/4 | 230 / 3 | 34 | \$1,330.76 |
| 6712-012 | 93100 | 1 | 230 / 3 | 37 | \$1,414.19 |
| 6712-013 | 93150 | 1 1/2 | 230 / 3 | 41 | \$1,697.44 |
| 6712-014 | 93200 | 2 | 230 / 3 | 47 | \$2,319.56 |
| 6712-008 | 93300 | 3 | 230 / 3 | 56 | \$3,108.54 |



84000 Series - Self-Priming

| Part No. | Model No. | HP | Voltage & Phase | Wt. | Price |
|----------|-----------|----|-----------------|-----|------------|
| 6180-104 | 84300 | 3 | 208 / 230 / 1 | 136 | \$5,099.53 |
| 6180-108 | 84300-3 | 3 | 208 / 230 / 3 | 110 | \$4,586.59 |
| 6180-107 | 84500 | 5 | 208 / 230 / 1 | 146 | \$6,124.38 |
| 6180-109 | 84500-3 | 5 | 208 / 230 / 3 | 140 | \$5,663.97 |



1500XSW Series - Multi-Stage

| Part No. | Model No. | HP | Voltage & Phase | Wt. | Price |
|----------|-----------|-------|-----------------|-----|------------|
| 6326-100 | 1510XSW | 1 | 115 / 230 / 1 | 62 | \$3,109.57 |
| 6326-102 | 1510XSW3 | 1 | 230 / 460 / 3 | 67 | \$3,109.57 |
| 6327-100 | 1515XSW | 1 1/2 | 115 / 230 / 1 | 65 | \$3,238.32 |
| 6327-102 | 1515XSW3 | 1 1/2 | 230 / 460 / 3 | 68 | \$3,238.32 |



8600SW Series Convertible Centrifugal Pumps

| Part No. | Model No. | HP | Voltage & Phase | Wt. | Price |
|----------|-----------|-----|-----------------|-----|------------|
| 6165-006 | 8650SW | 1/2 | 115 / 230 / 1 | 36 | \$1,080.47 |
| 6165-007 | 8670SW | 3/4 | 230 / 115 / 1 | 38 | \$1,172.14 |
| 6165-008 | 8610SW | 1 | 230 / 115 / 1 | 41 | \$1,282.35 |



E-Series - 89000 Series Self-Priming Sprinkler Pumps

| Part No. | Model No. | HP | Voltage & Phase | Wt. | Price |
|----------|-----------|-------|-----------------|-----|------------|
| 6156-134 | 89100 | 1 | 115 / 230 / 1 | 68 | \$1,274.11 |
| 6156-135 | 89150 | 1 1/2 | 115 / 230 / 1 | 70 | \$1,374.02 |
| 6156-136 | 89200 | 2 | 230 / 1 | 72 | \$1,858.12 |

| Part No. | Description | Model No. | HP | Price |
|----------|---|-----------|-----|------------|
| 6712-016 | 92031 ES CENTRI PUMP 1/3HP BRNZE 1PH | 92031 | 1/3 | \$1,308.10 |
| 6712-017 | 92051 ES CENTRI PUMP 1/2HP BRNZE 1PH | 92051 | 1/2 | \$1,364.75 |
| 6712-025 | 93051 ES CENTRI PUMP1/2HP BRNZE 3PH | 93051 | 1/2 | \$1,413.16 |

Pumps shown on this page do not include pressure switches.

Sump, Sewage, Effluent & Grinder Pumps



DuraMAC™ Sump Pumps



5025PTSP



5025PVSP



5033PVSP



5030CTSP



5030CVSP



5033CVSP



5050CVSP

| Part No. | Model No. | HP | Volts | Phase | Construction | Wt. | Price |
|----------|---------------------------|------|-------|-------|---------------|-----|----------|
| 6190-146 | 5025PTSP | 1/4 | 120 | 1 | Thermoplastic | 9 | \$346.08 |
| 6190-154 | 5025PVSP | 1/4 | 120 | 1 | Thermoplastic | 9 | \$363.59 |
| 6190-147 | 5033PVSP | 1/3 | 120 | 1 | Thermoplastic | 10 | \$439.81 |
| 6190-158 | 5030CTSP | 3/10 | 120 | 1 | Cast Iron | 19 | \$463.50 |
| 6190-148 | 5030CVSP | 3/10 | 120 | 1 | Cast Iron | 19 | \$510.88 |
| 6190-162 | 5030CUSP (NO SWITCH) | 3/10 | 120 | 1 | Cast Iron | 18 | \$485.13 |
| 6190-160 | 5030CUSP25 (NO SWITCH) | 3/10 | 120 | 1 | Cast Iron | 19 | \$557.23 |

| Part No. | Model No. | HP | Volts | Phase | Construction | Wt. | Price |
|----------|---------------------------|-----|-------|-------|--------------|-----|----------|
| 6190-149 | 5033CVSP | 1/3 | 120 | 1 | Cast Iron | 25 | \$576.80 |
| 6190-163 | 5033CUSP (NO SWITCH) | 1/3 | 120 | 1 | Cast Iron | 24 | \$560.32 |
| 6190-161 | 5033CUSP25 (NO SWITCH) | 1/3 | 120 | 1 | Cast Iron | 25 | \$698.34 |
| 6190-150 | 5050CVSP | 1/2 | 120 | 1 | Cast Iron | 24 | \$668.47 |
| 6190-168 | 5050CUSP25 (NO SWITCH) | 1/2 | 120 | 1 | Cast Iron | 27 | \$762.20 |

DuraMAC™ Utility Pump



5020PUUP

| Part No. | Model No. | HP | Volts | Phase | Construction | Wt. | Price |
|----------|-----------|-----|-------|-------|---------------|-----|----------|
| 6190-145 | 5020PUUP | 1/5 | 120 | 1 | Thermoplastic | 7 | \$283.00 |

DuraMAC™ EZ Sump Kit



5033CVSPEZ

| Part No. | Model No. | HP | Volts | Phase | Construction | Wt. | Price |
|----------|------------|-----|-------|-------|--------------|-----|----------|
| 6190-153 | 5033CVSPEZ | 1/3 | 120 | 1 | Cast Iron | 28 | \$643.00 |



DuraMAC™ Battery Back-Up

5000PVSPBU

| Part No. | Model No. | Volts | Phase | Construction | Wt. | Price |
|----------|------------|--------|-------|---------------|------|------------|
| 6190-170 | 5000PVSPBU | 12V DC | 1 | Thermoplastic | 13.5 | \$1,019.70 |

DuraMAC™ Sink / Drain System



5030CVSPK

| Part No. | Model No. | HP | Volts | Phase | Construction | Wt. | Price |
|----------|-----------|------|-------|-------|--------------|-----|----------|
| 6190-152 | 5030CVSPK | 3/10 | 120 | 1 | Cast Iron | 28 | \$943.00 |

DuraMAC™ Pedestal Pumps

5033PVDP

| Part No. | Model No. | HP | Construction | Wt. | Price |
|----------|-----------|-----|---------------|-----|----------|
| 6196-000 | 5033PVDP | 1/3 | Thermoplastic | 16 | \$441.00 |

5050CVDP

| Part No. | Model No. | HP | Construction | Wt. | Price |
|----------|-----------|-----|--------------|-----|----------|
| 6196-001 | 5050CVDP | 1/2 | Cast Iron | 28 | \$675.00 |

DuraMAC™ Crawl Space



5030CVSPCSK

| Part No. | Model No. | HP | Volts | Phase | Construction | Wt. | Price |
|----------|-------------|----|-------|-------|--------------|-----|------------|
| 6190-171 | 5030CVSPCSK | | 120 | 1 | Cast Iron | 34 | \$1,245.27 |

DuraMAC™ Pump Basin Package

Clear Water Sump Pump
1 1/2" Check Valve, Discharge Pipe &
18x24 basin



5025PTSPCWB

| Part No. | Model No. | HP | Volts | Phase | Construction | Wt. | Price |
|----------|-------------|-----|-------|-------|---------------|-----|----------|
| 6190-172 | 5025PTSPCWB | 1/4 | 120 | 1 | Thermoplastic | 29 | \$828.00 |

Sump, Sewage, Effluent & Grinder Pumps



DuraMAC™ Sump Pumps

| Part No. | Model No. | HP | Description | Price |
|----------|------------|----|--------------------------------------|----------|
| 6190-186 | 5030CTSP25 | 10 | 5030CTSP25 CI SUMP PUMP 3/10HP 25 FT | \$665.38 |
| 6190-187 | 5033CTSP | | 5033CTSP CI SUMP PUMP | \$519.12 |



Sump, Sewage, Effluent & Grinder Pumps

DuraMAC™ Sewage / High Volume Pumps



| Part No. | Model No. | HP | Volts | Phase | Construction | Wt. | Price |
|----------|-------------------------|-----|-------|-------|--------------|-----|------------|
| 6192-114 | 5050CTSJ | 1/2 | 120 | 1 | Cast Iron | 26 | \$888.00 |
| 6192-118 | 5050CTSJ25 | 1/2 | 120 | 1 | Cast Iron | 28 | \$960.00 |
| 6192-119 | 5050CUSJ (NO SWITCH) | 1/2 | 120 | 1 | Cast Iron | 24 | \$832.00 |
| 6192-116 | 5050CVSJ | 1/2 | 120 | 1 | Cast Iron | 27 | \$992.00 |
| 6192-115 | 5050CTSJPAC | 1/2 | 120 | 1 | Cast Iron | 54 | \$1,429.00 |

| Part No. | Model No. | HP | Volts | Phase | Construction | Wt. | Price |
|----------|----------------|-----|-------|-------|--------------|-----|------------|
| 6192-122 | 5050CTSJPACSDA | 1/2 | 120 | 1 | Cast Iron | 65 | \$2,667.00 |
| 6192-130 | 5050CTSJPACDA1 | 1/2 | 120 | 1 | Cast Iron | 62 | \$2,005.00 |
| 6192-121 | 5050CTSJPAC24 | 1/2 | 120 | 1 | Cast Iron | 62 | \$2,444.00 |

1/2 HP High Volume Sewage Pump

| Part No. | Model No. | HP | Volts | Phase | Construction | Wt. | Price |
|----------|------------|-----|-------|-------|----------------|-----|------------|
| 6192-128 | 5050CTSJ15 | 1/2 | 120 | 1 | Cast Iron / SS | 26 | \$1,280.00 |
| 6192-129 | 5050CVSJ15 | 1/2 | 120 | 1 | Cast Iron / SS | 25 | \$1,365.00 |

DuraMAC™ Effluent / High Head Pumps



| Part No. | Model No. | HP | Volts | Phase | Construction | Wt. | Price |
|----------|-------------------------|-----|-------|-------|--------------|-----|----------|
| 6191-114 | 5033CUEF (NO SWITCH) | 1/3 | 120 | 1 | Cast Iron | 23 | \$676.00 |
| 6191-115 | 5050CUEF (NO SWITCH) | 1/2 | 120 | 1 | Cast Iron | 23 | \$756.00 |
| 6191-113 | 5050CTEF | 1/2 | 120 | 1 | Cast Iron | 24 | \$756.00 |
| 6191-117 | 5050CTEF25 | 1/2 | 120 | 1 | Cast Iron | 26 | \$914.00 |
| 6191-118 | 5050CVEF | 1/2 | 120 | 1 | Cast Iron | 24 | \$860.00 |

High Head Effluent Pump

| Part No. | Model No. | HP | Volts | Phase | Construction | Wt. | Price |
|----------|----------------------------|------|-------|-------|----------------|-----|------------|
| 6191-125 | 5040CTEFH25 | 4/10 | 120 | 1 | Cast Iron / SS | 26 | \$1,086.00 |
| 6191-126 | 5050CUEFH25 (NO SWITCH) | 1/2 | 120 | 1 | Cast Iron / SS | 29 | \$1,398.00 |
| 6191-127 | 5050CTEFH25 | 1/2 | 120 | 1 | Cast Iron / SS | 31 | \$1,501.00 |

DuraMAC™ Split Lid Sewage



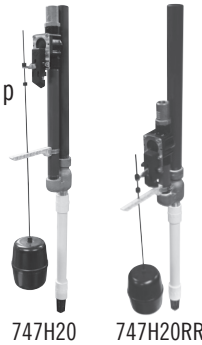
| Part No. | Model No. | HP | Volts | Phase | Construction | Wt. | Price |
|----------|---------------|-----|-------|-------|--------------|-----|------------|
| 6192-120 | 5050CTSJPACSL | 1/2 | 120 | 1 | Cast Iron | 58 | \$1,620.00 |

Sump, Sewage, Effluent & Grinder Pumps



747H20

Emergency Water Powered Back Up Sump Pump



| Part No. | Model No. | Description | Wt. | Price |
|----------|-------------|-----------------|-----|-------------|
| 6225-000 | 747H20 | Guardian | 10 | *\$766.00 |
| 6225-006 | 747H20-0001 | Guardian w/ RPZ | 16 | *\$1,136.00 |

| Part No. | Model No. | Description | Wt. | Price |
|----------|---------------|----------------------|-----|-------------|
| 6225-009 | 747H20RR | Radon Ready | 10 | *\$766.00 |
| 6225-011 | 747H20A | w/ Tank Alert Alarm | 14 | *\$894.00 |
| 6225-012 | 747H20RRA | Radon Ready w/ Alarm | 13 | *\$894.00 |
| 6225-010 | 747H20RR-0001 | Radon Rady w/RPZ | 16 | *\$1,136.00 |

*Pricing based on Guardian Qty discounts. (Contact Factory)

Thermoplastic High Head Effluent Pumps

High Head Effluent Pumps



| Model | Flow | HP | Voltage | Part No. | 10' Lead | | 10' Lead | | 25' Lead | | 50' Lead | | 100' Lead | |
|-----------|------|-------|---------|----------|------------|----------|------------|----------|------------|----------|------------|----------|------------|-------|
| | | | | | Part No. | X996* | Part No. | X993* | Part No. | X995* | Part No. | X994* | Part No. | X994* |
| 22050K2AJ | 10 | 1/2 | 115 | 6634-150 | \$1,987.00 | 6634-153 | \$1,987.00 | 6634-151 | \$2,281.00 | 6634-152 | \$2,373.00 | 6634-268 | \$2,614.00 | |
| 22050K2J | 10 | 1/2 | 230 | 6634-301 | \$1,987.00 | 6634-155 | \$1,987.00 | 6634-286 | \$2,281.00 | 6634-283 | \$2,373.00 | 6634-302 | \$2,616.00 | |
| 22075K2J | 10 | 3/4 | 230 | 6634-303 | \$2,269.00 | 6634-304 | \$2,269.00 | 6634-305 | \$2,569.00 | 6634-306 | \$2,652.00 | 6634-307 | \$2,842.00 | |
| 22100K2J | 10 | 1 | 230 | 6634-308 | \$2,532.00 | 6634-168 | \$2,532.00 | 6634-166 | \$2,830.00 | 6634-167 | \$2,920.00 | 6634-309 | \$3,105.00 | |
| 22150K2J | 10 | 1 1/2 | 230 | 6634-310 | \$3,215.00 | 6634-173 | \$3,557.00 | 6634-311 | \$3,517.00 | 6634-312 | \$3,686.00 | 6634-313 | \$3,781.00 | |
| 22050P2AJ | 20 | 1/2 | 115 | 6634-183 | \$2,011.00 | 6634-186 | \$2,011.00 | 6634-184 | \$2,308.00 | 6634-185 | \$2,400.00 | 6634-281 | \$2,641.00 | |
| 22050P2J | 20 | 1/2 | 230 | 6634-314 | \$2,011.00 | 6634-188 | \$2,011.00 | 6634-187 | \$2,308.00 | 6634-275 | \$2,400.00 | 6634-267 | \$2,641.00 | |
| 22075P2J | 20 | 3/4 | 230 | 6634-315 | \$2,091.00 | 6634-271 | \$2,264.00 | 6634-228 | \$2,546.00 | 6634-316 | \$2,648.00 | 6634-317 | \$2,839.00 | |
| 22100P2J | 20 | 1 | 230 | 6634-318 | \$2,426.00 | 6634-278 | \$2,426.00 | 6634-273 | \$2,567.00 | 6634-272 | \$2,814.00 | 6634-319 | \$2,994.00 | |
| 22150P2J | 20 | 1 1/2 | 230 | 6634-320 | \$2,988.00 | 6634-321 | \$2,988.00 | 6634-322 | \$3,292.00 | 6634-237 | \$3,560.00 | 6634-323 | \$3,666.00 | |
| 22050E2AJ | 30 | 1/2 | 115 | 6634-257 | \$2,073.00 | 6634-280 | \$2,073.00 | 6634-324 | \$2,380.00 | 6634-325 | \$2,460.00 | 6634-326 | \$2,648.00 | |
| 22050E2J | 30 | 1/2 | 230 | 6634-327 | \$2,074.00 | 6634-328 | \$2,074.00 | 6634-329 | \$2,380.00 | 6634-330 | \$2,460.00 | 6634-331 | \$2,648.00 | |
| 22075E2J | 30 | 3/4 | 230 | 6634-261 | \$2,357.00 | 6634-332 | \$2,357.00 | 6634-333 | \$2,546.00 | 6634-334 | \$2,742.00 | 6634-335 | \$2,930.00 | |
| 22100E2J | 30 | 1 | 230 | 6634-263 | \$2,629.00 | 6634-276 | \$2,629.00 | 6634-279 | \$2,902.00 | 6634-270 | \$3,022.00 | 6634-266 | \$3,235.00 | |
| 22150E2J | 30 | 1 1/2 | 230 | 6634-265 | \$3,703.00 | 6634-277 | \$3,703.00 | 6634-291 | \$4,006.00 | 6634-274 | \$4,046.00 | 6634-336 | \$4,275.00 | |

*Less check valve, cable guard, cable guard screws, with hole drilled into center of discharge

Pump Ends

| Part No. | Model No. | Flowrate, gal / min | WT | List Price |
|----------|-----------|---------------------|----|------------|
| 6634-147 | 22050KAJ | 10 | 5 | \$378.00 |
| 6634-292 | 22075KJ | 10 | 6 | \$532.00 |
| 6634-293 | 22100KJ | 10 | 7 | \$674.00 |
| 6634-294 | 22150KJ | 10 | 9 | \$1,046.00 |
| 6634-182 | 22050PAJ | 20 | 5 | \$562.00 |
| 6634-295 | 22075PJ | 20 | 6 | \$542.00 |
| 6634-296 | 22100PJ | 20 | 7 | \$685.00 |
| 6634-297 | 22150PJ | 20 | 8 | \$733.00 |
| 6634-258 | 22050EJ | 30 | 4 | \$776.00 |
| 6634-260 | 22075EJ | 30 | 5 | \$878.00 |
| 6634-262 | 22100EJ | 30 | 6 | \$979.00 |
| 6634-264 | 22150EJ | 30 | 6 | \$1,064.00 |

Sump, Sewage, Effluent & Grinder Pumps

Effluent Pumps

404011EF



| Part No. | Model No. | Switch | Cord | Voltage | HP | Phase | WT. | List Price |
|----------|-----------|--------|------|---------|-------|-------|-----|------------|
| 6191-000 | 404011EF | | 20 | 115 | 4/10 | 1 | 29 | \$1,049.57 |
| 6191-001 | 404011EFA | Tether | 20 | 115 | 4/10 | 1 | 31 | \$1,221.58 |
| 6191-012 | 404012EF | | 20 | 230 | 4/10 | 1 | 37 | \$1,444.06 |
| 6191-013 | 404012EFA | Tether | 20 | 230 | 4/10 | 1 | 38 | \$1,799.41 |
| 6191-002 | 405011EF | | 20 | 115 | 1/2 | 1 | 36 | \$1,139.18 |
| 6191-003 | 405011EFA | Tether | 20 | 115 | 1/2 | 1 | 38 | \$1,306.04 |
| 6191-004 | 405012EF | | 20 | 230 | 1/2 | 1 | 36 | \$1,221.58 |
| 6191-005 | 405012EFA | Tether | 20 | 230 | 1/2 | 1 | 38 | \$1,541.91 |
| 6191-014 | 405011EFS | | 20 | 115 | 1/2 | 1 | 74 | \$3,059.10 |
| 6191-015 | 405012EFS | | 20 | 230 | 1/2 | 1 | 69 | \$3,143.56 |
| 6191-016 | 410012EFS | | 20 | 230 | 1 | 1 | 77 | \$3,260.98 |
| 6191-017 | 415012EFS | | 20 | 230 | 1 1/2 | 1 | 77 | \$3,343.38 |
| 6191-018 | 420012EFS | | 20 | 230 | 2 | 1 | 77 | \$3,503.03 |

| Part No. | Description | Model No. | Volt | HP | Price |
|----------|---|-----------|------|-----|------------|
| 6634-269 | 22050V2J X993 PL EFF PUMP 7GPM 1/2HP 230V 25 | 22050V2J | 230 | 1/2 | \$2,290.72 |
| 6634-337 | 22050E2AJ X992 PL EFF PUMP 30GPM 1/2HP 115V 10 LOWRIDGE | 22050E2AJ | 115 | 1/2 | \$1,940.52 |
| 6634-338 | 22075L2J X993 PL EFF PUMP 15GPM 3/4HP 230V 25 | 22075L2J | 230 | 3/4 | \$2,748.04 |
| 6634-339 | 22050J2AJ X993 PL EFF PUMP 5GPM 1/2HP 115V 25 | 22050J2AJ | 115 | 1/2 | \$2,795.42 |
| 6634-340 | 22050E2AJ X991 PL EFF PUMP 30GPM 1/2HP 115V 10 | 22050E2AJ | 115 | 1/2 | \$2,135.19 |

Grinder Pumps

110911GRP



| Part No. | Model No. | Switch | Cord | Voltage | HP | Phase | WT. | List Price |
|----------|------------|--------|------|---------|----|-------|-----|------------|
| 6194-001 | 110911GRP | | 20 | 115 | 1 | 1 | 78 | \$1,221.58 |
| 6194-002 | 110911GRPA | Tether | 20 | 115 | 1 | 1 | 81 | \$1,139.18 |
| 6194-011 | 110912GRP | | 20 | 230 | 1 | 1 | 81 | \$3,656.50 |
| 6194-003 | 120212GRP | | 20 | 230 | 2 | 1 | 76 | \$1,306.04 |
| 6194-012 | 120912GRP | | 30 | 230 | 2 | 1 | 53 | \$1,444.06 |

*Control Panel Required

Dewatering Pump



Mini Mac Transfer Pump Kits

| Part No. | Model No. | Description | Wt. | Price |
|----------|-----------|-------------------------------|-----|----------|
| 6195-010 | 300611TPK | Mini Mac - Transfer Pump Kits | 6 | \$444.00 |



303022SP Handymac

| Part No. | Model No. | Description | Wt. | Price |
|----------|-----------|-----------------------------|-----|------------|
| 6195-000 | 303022SP | Dewatering Pump DC - 1/3 HP | 34 | \$5,384.84 |

Sewage Pumps

405011SJ



| Part No. | Model No. | Switch | Cord | Voltage | HP | Phase | WT. | List Price |
|----------|------------|----------|------|---------|-------|-------|-----|------------|
| 6192-032 | 405011SJ | | 20 | 115 | 1/2 | 1 | 35 | \$1,133.00 |
| 6192-033 | 405011SJA | Tether | 20 | 115 | 1/2 | 1 | 37 | \$1,299.86 |
| 6192-020 | 405011SJV | Vertical | 10 | 115 | 1/2 | 1 | 40 | \$1,202.01 |
| 6192-034 | 405012SJ | | 20 | 230 | 1/2 | 1 | 35 | \$1,262.78 |
| 6192-035 | 405012SJA | Tether | 20 | 230 | 1/2 | 1 | 37 | \$1,565.60 |
| 6192-021 | 405011SJX | | 20 | 115 | 1/2 | 1 | 79 | \$3,020.99 |
| 6192-022 | 405012SJX | | 20 | 230 | 1/2 | 1 | 77 | \$2,896.00 |
| 6192-023 | 410012SJX | | 20 | 230 | 1 | 1 | 82 | \$3,383.55 |
| 6192-024 | 415012SJX | | 20 | 230 | 1 1/2 | 1 | 84 | \$3,462.86 |
| 6192-025 | 420012SJX | | 20 | 230 | 2 | 1 | 85 | \$3,462.86 |
| 6192-026 | 420012SJXH | | 20 | 230 | 2 | 1 | 85 | \$3,584.40 |

| Part No. | Model No. | Description | HP | Volt | Price |
|-----------|--------------|---|-----|------|------------|
| 6192-127 | 17080V022C-1 | 5050CUSJ15 SEWAGE PUMP 1/2HP 115V 1PH | 1/2 | 115 | \$1,112.40 |
| *6192-132 | 27100PHBFC | 5050CVSJPACCH SEWAGE PACKAGE 1/2HP 115V 1PH | 1/2 | 115 | \$1,564.57 |
| 6192-133 | 27150MHBZ | 5050CTSJDH25 SEWAGE PUMP HIGH VOLUME 1/2HP 115V 1PH | 1/2 | 115 | \$1,364.75 |
| 6192-134 | 27150KHBZ | 5050CVSJPACDA1 SEWAGE PKG 1/2HP 115V 1PH ALARM | 1/2 | 115 | \$2,065.15 |



Pump Accessories

4"

Submersible Leads

| Part No. | # Wire | Length | Wt. | Price |
|----------|--|--------|------|----------|
| 3132-544 | 2 Wire with Ground 67" - 2 Screw | 5 1/2' | <1 | \$71.00 |
| 3132-545 | 3 Wire with Ground 67" - 2 Screw | 5 1/2' | <1 | \$79.00 |
| 3132-546 | Standard Leads 3 Wire with Ground 106" - 2 Screw | 13' | <1 | \$92.00 |
| 3132-713 | 2 Wire - Individual Strands | 25' | 10 | \$255.00 |
| 3132-714 | 2 Wire - Individual Strands | 50' | 3.55 | \$424.00 |
| 3132-715 | 2 Wire - Individual Strands | 100' | 30 | \$836.00 |
| 3132-745 | 2 Wire with Ground 67" - Jam Nut | | <1 | \$63.00 |
| 3132-746 | 3 Wire with Ground 67" - Jam Nut | | 1 | \$70.00 |

Effluents Leads

| Part No. | # Wire | Length | Wt. | Price |
|----------|---------------------------------|--------|-----|----------|
| 3132-538 | 2 Wire SJ00W Jacketed - 2 Screw | 10' | 1 | \$99.00 |
| 3132-539 | 2 Wire SJ00W Jacketed - 2 Screw | 25' | 2 | \$255.00 |
| 3132-540 | 2 Wire SJ00W Jacketed - 2 Screw | 50' | 5 | \$401.00 |
| 3132-541 | 2 Wire SJ00W Jacketed - 2 Screw | 100' | 9 | \$595.00 |

6" Submersible Leads

| Part No. | # Wire | Length | Wt. | Price |
|----------|-----------------------------------|--------|-----|----------|
| 3132-012 | 3 Wire with Ground 156" - 2 Screw | 5 1/2' | <1 | \$365.00 |

Silicon Bronze Foot Valves

Perforated stainless steel strainer - Spring loaded
400 PSI working pressure

400SB

FNPT x FNPT - No tappings

| Part No. | Size | Wt. | Price |
|----------|------|-----|---------|
| 6814-001 | 1" | 1 | \$90.00 |



Pump Accessories

Switches Individually boxed, captive nut on NEMA 1 switch cover, pressure switch pipe connection 1/4" female NPT, adjustment instructions are inside top cover, each turn of the adjustment screw = 2 PSI

Switches with "P" include pulsation plug to dampen surges to the switch

Pressure Switches with Pulsation Plug on Inlet

| Part No. | Size | Setting | Wt. | Price |
|----------|------|---------|-----|---------|
| 3129-027 | 1/4" | 30-50 | 1 | \$40.00 |



Pump Accessories

Motor Adapter

- 4" pump end to 6" motor Stainless Steel
- Bolts included

| Part No. | Wt. | Price |
|----------|-----|----------|
| 6180-326 | 6 | \$754.99 |



- 6" pump end to 8" motor Stainless Steel
- works with 6" pump ends up to 300 GPM

| Part No. | Wt. | Price |
|----------|-----|----------|
| 6180-518 | 8 | \$980.56 |

Discharge Adapter

- 5" x 6" discharge adapter

| Part No. | Wt. | Price |
|----------|-----|----------|
| 6180-114 | 7 | \$478.00 |



Universal Mounting Bracket

| Part No. | Model Number | Weight (LBS.) | CTN QTY | Price |
|----------|--------------|---------------|---------|---------|
| 6127-365 | 16000BRKT | 2 | 1 | \$56.00 |



Mechanical Pump Float Switches

Pumpmaster®

Mechanically activated, wide angle switch for direct control of pumps up to 1/2 HP at 120V and 1 HP at 230V.



| Part No. | Description | Wt. | Price |
|----------|---|-----|----------|
| 6190-012 | 10' cord with piggyback plug 120V pump down, with pipe clamp. | 2 | \$174.00 |
| 6190-013 | 15' cord with piggyback plug 120V pump down, with pipe clamp. | 2 | \$186.00 |
| 6190-014 | 15' cord with piggyback plug 230V pump down, with pipe clamp. | 2 | \$192.00 |
| 6190-027 | 15' cord with piggyback plug 120V pump up, with pipe clamp. | 2 | \$186.00 |

Verticalmaster®

Mechanically activated, switch designed for direct control of pumps up to 1/2 HP at 120V and 1 HP at 230V.



| Part No. | Description | Wt. | Price |
|----------|--|-----|----------|
| 6190-020 | 15' cord with piggyback plug 120V pump down, with mounting bracket and hose clamp. | 2 | \$206.00 |

Pump Accessories

DuraMAC™ Sump / Sewage / Effluent Accessories



| Part No. | Model No. | Description | Wt. | Price |
|----------|-----------|----------------|-----|---------|
| 6190-151 | 5000BLK | Mounting Block | 1.0 | \$81.00 |



Vertical



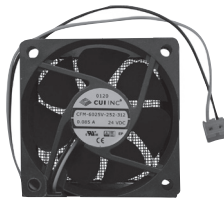
Tethered

| Part No. | Model No. | Switch | Cord Length | Wt. | Price |
|----------|------------|----------------|----------------|-----|----------|
| 6190-166 | 5000-V--10 | Vertical Float | 10' piggy back | 2 | \$192.00 |
| 6190-167 | 5000-V--25 | Vertical Float | 25' piggy back | 2 | \$239.00 |
| 6190-164 | 5000-T--10 | Tethered Float | 10' piggy back | 1 | \$145.00 |
| 6190-165 | 5000-T--25 | Tethered Float | 25' piggy back | 1 | \$174.00 |

| Part No. | Description | Model No. | Price |
|----------|--|--------------|----------|
| 5999-024 | 7504JP JET FTG PKG ALLEN-NL | 17080V022C-1 | \$371.83 |
| 5999-030 | 7505JP JET FTG PKG ALLEN-NL | 27100PHBFC | \$367.71 |
| 5999-900 | BARB CONN -1/4PLX1/4NPT - NL | 27150MHBZ | \$7.40 |
| 6011-014 | 15000CV13 CHECK VALVE 1 1/2 FNPT x FNPT | 27150KHBZ | \$244.11 |
| 6011-531 | CHECK VALVE 1 1/2" WITH 1/4 TAP | 27050LHBY | \$195.70 |
| 6012-608 | FUSE TYPE CC 30 AMP | 27050VHBZ | \$60.77 |
| 6012-689 | BASIC BALL VALVE 1-1/4" WITH CHECK VALVE MNPT X FNPT | 27075KHBZ | \$327.54 |
| 6155-355 | ELBOW CONN - FAST&TITE - 1/4 TUBE X 1/4 NPT | 27150PHBZ | \$8.25 |
| 6155-356 | CONN - FAST&TITE - 1/4 TUBE X 1/8 NPT | 27100PHBZ | \$7.10 |
| 6225-008 | 747FLT GUARDIAN FLOAT ONLY | 27050KHBZ | \$40.17 |
| 6621-750 | CHECK VALVE-SUB ASSY- SUB PUMP | 27075JHBFC | \$5.17 |

Pump Repair Parts

AutoDRIVE Repair Parts



6619-026



6619-027



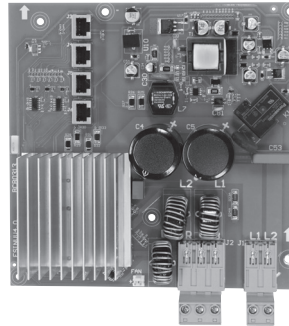
6619-030



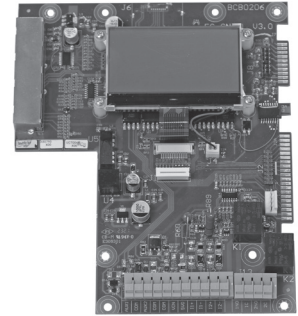
6619-028



6619-029



6619-032, 6619-033,
6619-034, 6619-035



6619-036

| Part No. | Description | Wt. | Price |
|----------|------------------------------------|-----|----------|
| 6619-026 | SDREPFK FAN KIT | 1.0 | \$227.63 |
| 6619-027 | SDREPE ENCLOSURE FRONT COVER | 4.0 | \$637.57 |
| 6619-028 | SDREPT TRANSDUCER W/10' WIRE | 1.0 | \$460.41 |
| 6619-029 | SDREPPSW PRESSURE SWITCH WITH WIRE | 1.0 | \$139.05 |
| 6619-030 | SDREPKP KEYPAD | 1.0 | \$43.26 |

| Part No. | Description | Wt. | Price |
|----------|---|-----|------------|
| 6619-032 | SDREP1 2HP INVERTER BOARD | 4.0 | \$931.12 |
| 6619-033 | SDREPB3 2HP INVERTER BOARD | 4.0 | \$1,047.51 |
| 6619-034 | SDREPB3 3HP INVERTER BOARD | 4.0 | \$1,285.44 |
| 6619-035 | SDREPB3 5HP INVERTER BOARD | 4.0 | \$1,562.51 |
| 6619-036 | SDREPCB CONTROL BOARD - 2HP - 3HP - 5HP | 2.0 | \$645.81 |

Motor Control Components

Control Box Components

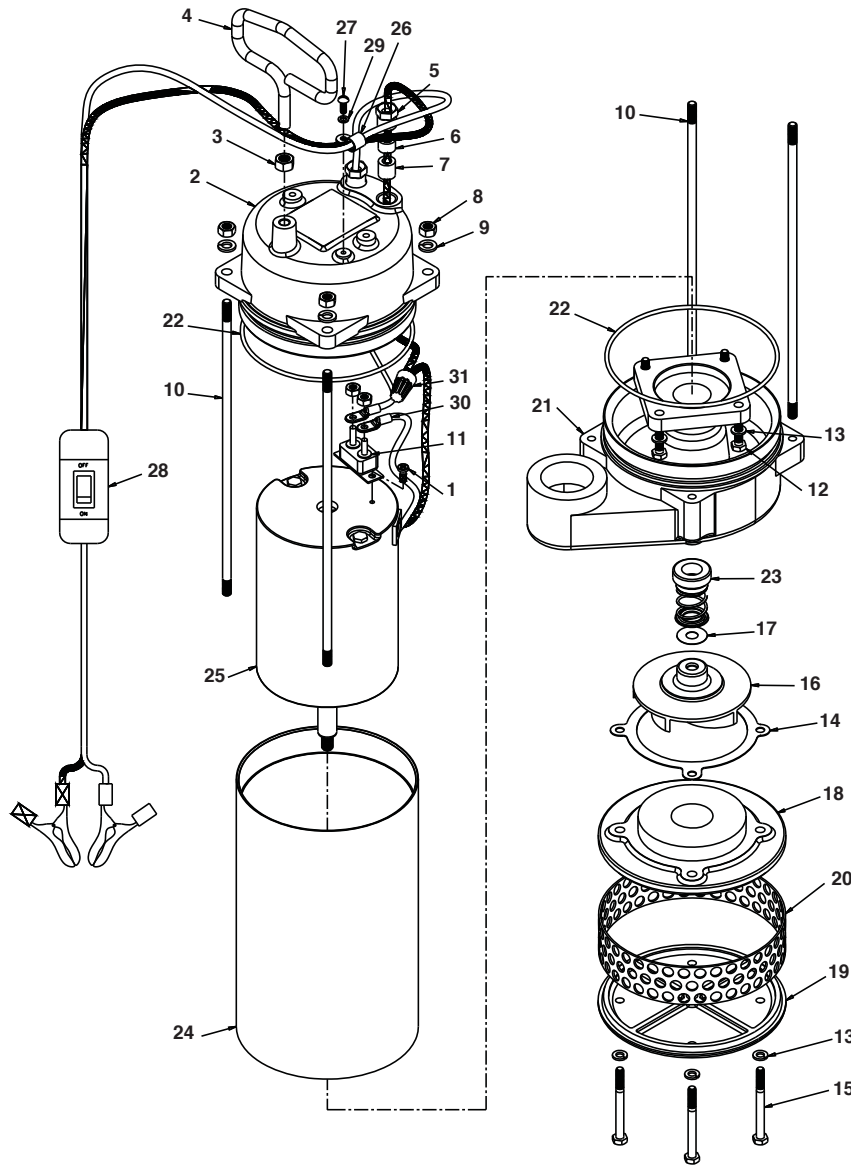
| HP | Volts | Starting Cap. | | Cap & OL Kit | | Relay Kit | | Overload Kit | |
|-----|-------|---------------|----------|--------------|----------|-----------|----------|--------------|----------|
| | | Part # | List | Part # | List | Part # | List | Part # | List |
| 1/2 | 115 | 3132-648 | \$144.20 | 3132-660 | \$113.30 | 3132-652 | \$165.00 | 3132-656 | \$138.02 |
| 1/2 | 230 | 3132-649 | \$114.33 | 3132-661 | \$103.00 | 3132-653 | \$238.96 | 3132-657 | \$138.02 |
| 3/4 | 230 | 3132-650 | \$116.39 | 3132-662 | \$116.39 | 3132-654 | \$216.30 | 3132-658 | \$138.02 |
| 1 | 230 | 3132-651 | \$92.70 | 3132-663 | \$114.33 | 3132-655 | \$238.96 | 3132-659 | \$212.18 |

| HP | Volts | Starting Cap. | | Run Cap. | | Start O.L. | | Run O.L. | | Control Relay | | Contactor | |
|-----------|-------|---------------|----------|----------|----------|------------|----------|----------|----------|---------------|----------|-----------|------------|
| | | Part # | List | Part # | List | Part # | List | Part # | List | Part # | List | Part # | List |
| 1 1/2 | 230 | 3132-664 | \$92.70 | 3132-672 | \$87.55 | 3132-680 | \$69.01 | 3132-688 | \$77.25 | 3132-696 | \$166.86 | 3132-704 | \$259.56 |
| 2 | 230 | 3132-666 | \$92.70 | 3132-674 | \$87.55 | 3132-682 | \$43.26 | 3132-690 | \$77.25 | 3132-698 | \$166.86 | 3132-706 | \$300.76 |
| 3 | 230 | 3132-668 | \$92.70 | 3132-676 | \$139.05 | 3132-684 | \$44.29 | 3132-692 | \$67.98 | 3132-700 | \$166.86 | 3132-708 | \$300.76 |
| 5 | 230 | 3132-670 | \$245.14 | 3132-678 | \$113.30 | 3132-686 | \$44.29 | 3132-694 | \$177.16 | 3132-702 | \$270.89 | 3132-710 | \$417.15 |
| 1 1/2 DLX | 230 | 3132-665 | \$92.70 | 3132-673 | \$87.55 | 3132-681 | \$69.01 | 3132-689 | \$77.25 | 3132-697 | \$166.86 | 3132-705 | \$259.56 |
| 2 DLX | 230 | 3132-667 | \$92.70 | 3132-675 | \$87.55 | 3132-683 | \$43.26 | 3132-691 | \$77.25 | 3132-699 | \$166.86 | 3132-707 | \$300.76 |
| 3 DLX | 230 | 3132-669 | \$92.70 | 3132-677 | \$139.05 | 3132-685 | \$44.29 | 3132-693 | \$67.98 | 3132-701 | \$166.86 | 3132-709 | \$300.76 |
| 5 DLX | 230 | 3132-671 | \$245.14 | 3132-679 | \$113.30 | 3132-687 | \$44.29 | 3132-695 | \$177.16 | 3132-703 | \$270.89 | 3132-711 | \$417.15 |
| 7 1/2 DLX | 230 | 3132-630 | \$253.38 | 3132-633 | \$144.20 | 3132-636 | \$45.32 | 3132-639 | \$92.70 | 3132-642 | \$228.66 | 3132-645 | \$1,023.82 |
| 10 DLX | 230 | 3132-631 | \$253.38 | 3132-634 | \$176.13 | 3132-637 | \$112.27 | 3132-640 | \$113.30 | 3132-643 | \$228.66 | 3132-646 | \$1,023.82 |
| 15 DLX | 230 | 3132-632 | \$253.38 | 3132-635 | \$144.20 | 3132-638 | \$112.27 | 3132-641 | \$135.96 | 3132-644 | \$222.48 | 3132-647 | \$1,566.63 |

Pump Repair Parts



303022SP Repair Parts

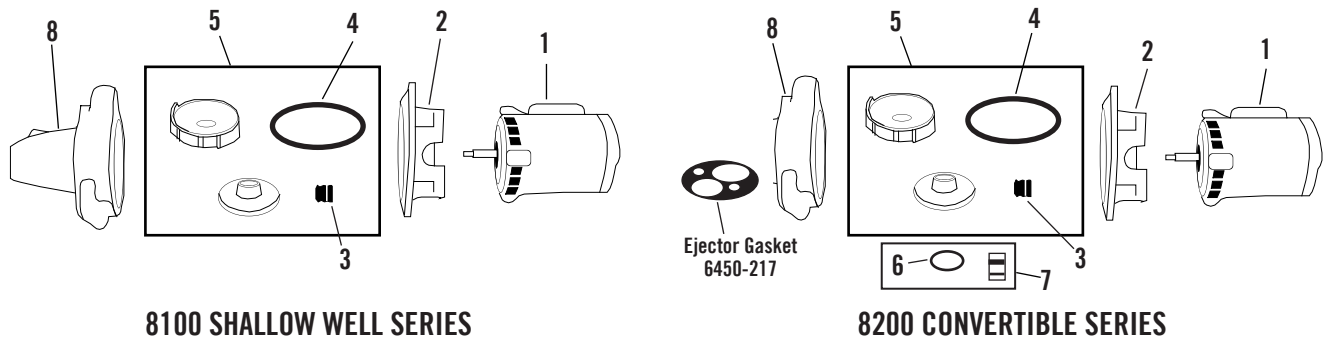


| Part # | Plate # | Vender Part# | Ref # | Description | Price |
|----------|------------|--------------|-------|--------------------|----------|
| 6195-258 | 303022STSC | \$8.11 | 1 | Self-tapping screw | \$8.11 |
| 6195-259 | 303022MTCV | \$236.90 | 2 | Motor cover | \$236.90 |
| 6195-260 | 303022HNUT | \$8.28 | 3 | Hex nut | \$8.28 |
| 6195-261 | 303022HNDL | \$67.98 | 4 | Handle | \$67.98 |
| 6195-262 | 303022GLNT | \$23.69 | 5 | Gland nut | \$23.69 |
| 6195-263 | 303022GLSP | \$17.51 | 6 | Gland spacer | \$17.51 |
| 6195-264 | 303022SLRG | \$14.42 | 7 | Sealing ring | \$14.42 |
| 6195-265 | 303022HXNT | \$8.28 | 8 | Hex nut | \$8.28 |
| 6195-266 | 303022LKWS | \$8.28 | 9 | Lock washer | \$8.28 |
| 6195-267 | 303022STUD | \$39.14 | 10 | ***Stud | \$39.14 |
| 6195-268 | 303022CRBK | \$67.98 | 11 | Circuit breaker | \$67.98 |
| 6195-269 | 303022HHCS | \$8.28 | 12 | Hex head capscrew | \$8.28 |
| 6195-270 | 303022LWSR | \$11.33 | 13 | Lock washer | \$11.33 |
| 6195-271 | 303022CSGS | \$14.42 | 14 | Casing gasket | \$14.42 |
| 6195-272 | 303022HCSR | \$8.28 | 15 | Hex head capscrew | \$8.28 |
| 6195-176 | 303022MPLR | \$468.65 | 16 | Impeller | \$468.65 |
| 6195-179 | 303022SHIM | \$23.69 | 17 | Shim | \$23.69 |

| Part # | Plate # | Vender Part# | Ref # | Description | Price |
|----------|------------|--------------|-------|----------------------|------------|
| 6195-273 | 303022SCTC | \$387.28 | 18 | Suction cover | \$387.28 |
| 6195-274 | 303022STRN | \$342.99 | 19 | Strainer Plate | \$342.99 |
| 6195-177 | 303022SCRN | \$71.07 | 20 | Strainer screen | \$71.07 |
| 6195-276 | 303022RING | \$8.19 | 22 | O-ring | \$8.19 |
| 6195-178 | 303022SEAL | \$335.78 | 23 | Seal | \$335.78 |
| 6195-283 | 303022SSKT | \$609.76 | 24 | Shell & stud kit *** | \$609.76 |
| 6195-277 | 303022MTR | \$4,002.58 | 25 | Motor | \$4,002.58 |
| 6195-279 | 303022MCSC | \$11.33 | 27 | Machine screw | \$11.33 |
| 6195-280 | 303022PWRC | \$775.59 | 28 | Power cable assembly | \$775.59 |
| 6195-281 | 303022LCKW | \$7.03 | 29 | Lock washer | \$7.03 |

Pump Repair Parts

8100 / 8200 Repair Parts



8100 SHALLOW WELL SERIES

8200 CONVERTIBLE SERIES

| HP | (1) Motor | | (5) Impeller / Diffuser Kit* | | Impeller | | Diffuser | |
|--------------------|-----------|----------|------------------------------|----------|----------|----------|----------|---------|
| | Part # | List | Part # | List | Part # | List | Part # | List |
| 8150, 8150HP, 8250 | 6155-240 | \$748.81 | 6127-326 | \$136.99 | 6155-358 | \$58.71 | 6130-201 | \$33.99 |
| 8151, 8151HP, 8251 | 6155-240 | \$748.81 | 6127-327 | \$367.71 | 6155-330 | \$292.52 | 6130-201 | \$33.99 |
| 8170, 8170HP, 8270 | 6155-241 | \$865.20 | 6127-328 | \$143.17 | 6155-370 | \$64.89 | 6155-223 | \$38.11 |
| 8171, 8171HP, 8271 | 6155-241 | \$865.20 | 6127-329 | \$455.26 | 6155-334 | \$356.38 | 6155-223 | \$38.11 |
| 8110, 8110HP, 8210 | 6155-242 | \$980.56 | 6127-330 | \$143.17 | 6155-369 | \$64.89 | 6155-223 | \$38.11 |
| 8111, 8111HP, 8211 | 6155-242 | \$980.56 | 6127-331 | \$455.26 | 6155-333 | \$356.38 | 6155-223 | \$38.11 |

*Kit includes impeller, diffuser, rotary seal & housing gasket with instructions

| Part # | Description | Price |
|----------|-------------|----------|
| 6156-140 | 2 | \$214.24 |
| 6422-500 | 3 | \$43.26 |
| 6155-224 | 4 | \$4.07 |
| 3138-995 | 4 | \$2.37 |
| 3134-114 | 6 | \$0.36 |
| 6155-238 | 7 | \$11.33 |
| 6155-236 | 8 | \$356.38 |
| 6155-237 | 8 | \$376.98 |

Miscellaneous Parts (Not shown above)

| Part # | Description | Price |
|----------|----------------------------|---------|
| 6127-248 | Pump Foot | \$14.42 |
| 3100-530 | Foot Capscrews | \$0.52 |
| 3100-528 | Adapter Capscrews | \$0.85 |
| 5999-903 | Diffuser Screws | \$1.83 |
| 3134-133 | Diffuser O-ring | \$0.60 |
| 3110-951 | Regulating Valve Set Screw | \$1.87 |
| 6450-217 | Ejector Gasket | \$15.45 |

Shallow Well Venturi - Nozzle - O-ring Assemblies

| HP | Models | Part # | Price |
|-----|---------------------------------------|----------|---------|
| 1/2 | 8150-8151, 651JP, 8550, 8551 | 6155-204 | \$23.69 |
| 3/4 | 8170-8171, 652JP, 8570, 8571 | 6155-212 | \$23.69 |
| 1 | 8110-8111, 653JP, 8510, 8511 | 6155-213 | \$23.69 |
| 1/2 | 8150HP, 8151HP, 655JP, 8550HP, 8551HP | 6155-205 | \$23.69 |
| 3/4 | 8170HP, 8171HP, 656JP, 8570HP, 8571HP | 6155-211 | \$23.69 |
| 1 | 8110HP, 8111HP, 657JP, 8510HP, 8511HP | 6155-214 | \$33.99 |
| | Nozzle/venturi o-ring for assemblies | 3134-120 | \$0.46 |

Deep Well Kits - Jet Package

| Models | Venturi | | Nozzle | |
|----------------|----------|---------|----------|---------|
| | Part # | Price | Part # | Price |
| 7502JP, 7733JP | 6413-203 | \$38.11 | 6128-201 | \$8.14 |
| 7503JP, 7734JP | 6413-204 | \$38.11 | 6128-201 | \$8.14 |
| 7508JP, 7735JP | 6414-207 | \$38.11 | 6128-201 | \$8.14 |
| 7509JP, 7736JP | 6414-208 | \$41.20 | 6128-201 | \$8.14 |
| 7901JP, 7808JP | 6413-250 | \$45.32 | 6413-246 | \$14.42 |
| 7902JP, 7809JP | 6413-249 | \$45.32 | 6413-246 | \$14.42 |
| 7903JP, 7810JP | 6413-248 | \$45.32 | 6413-246 | \$14.42 |
| 7906JP, 7812JP | 6413-253 | \$45.32 | 6413-246 | \$14.42 |
| 7907JP, 7813JP | 6413-254 | \$45.32 | 6413-246 | \$14.42 |

Pump Repair Parts

8000 Repair Parts



| Model No. | Casing | Price | Imp/Dif Kit | Price | Seal Kit | Price | Motor Adaptor | Price |
|-----------|----------|----------|-------------|----------|----------|----------|---------------|----------|
| 8050 | 6156-166 | \$260.59 | 6156-160 | \$114.33 | 6156-164 | \$46.35 | 6156-177 | \$315.18 |
| 8070 | 6156-166 | \$260.59 | 6156-161 | \$114.33 | 6156-164 | \$46.35 | 6156-177 | \$315.18 |
| 8010 | 6156-166 | \$260.59 | 6156-162 | \$114.33 | 6156-165 | \$114.33 | 6156-177 | \$315.18 |
| 8015 | 6156-166 | \$260.59 | 6156-162 | \$114.33 | 6156-165 | \$114.33 | 6156-177 | \$315.18 |

*Imp/Dif Kit includes - impeller, diffuser, rotary seal, housing o-ring, seal ring, and diffuser screws

*Seal Kit includes - rotary seal, housing o-ring and seal ring

Shallow Well Kits Single Stage

| Nozzle & Venturi | | |
|------------------|----------|---------|
| Models | Part # | Price |
| 8050NV | 6156-204 | \$16.48 |
| 8050HPNV | 6156-205 | \$16.48 |
| 8070NV | 6156-206 | \$16.48 |
| 8010NV | 6156-207 | \$16.48 |
| 8015NV | 6156-208 | \$16.48 |

Deep Well Kits - Single Pipe Single Stage 2" Two Pipe

| Nozzle & Venturi | | |
|------------------|----------|---------|
| Models | Part # | Price |
| 8050D2NV | 6156-181 | \$40.17 |
| 8070D2NV | 6156-182 | \$40.17 |
| 8010D2NV | 6156-183 | \$40.17 |

Deep Well Kits - Two Pipe Single Stage 4" Two Pipe

| Nozzle & Venturi | | |
|------------------|----------|---------|
| Models | Part # | Price |
| 8050D4NV | 6156-185 | \$40.17 |
| 8070D4NV | 6156-186 | \$40.17 |
| 8010D4NV | 6156-187 | \$40.17 |
| 8015D4NV | 6156-188 | \$40.17 |



8300 Repair Parts



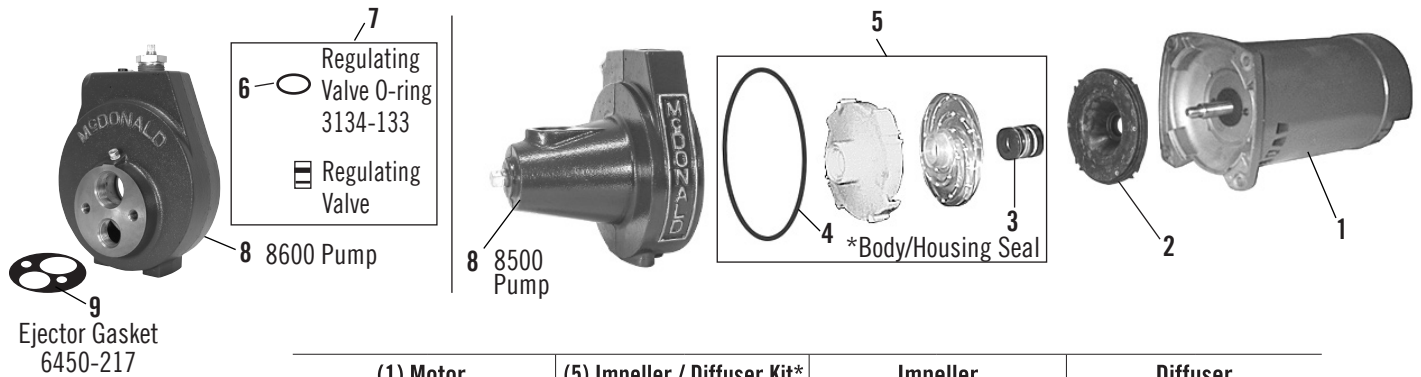
| Model No. | Casing | Price | Imp/Dif Kit | Price | Seal Kit | Price | Venturi Kit | Price | Motor Adaptor | Price |
|-----------|----------|----------|-------------|----------|----------|---------|-------------|---------|---------------|----------|
| 8350 | 6156-145 | \$335.78 | 6156-129 | \$123.60 | 6156-133 | \$53.56 | 6156-147 | \$18.54 | 6156-167 | \$315.18 |
| 8350HP | 6156-145 | \$335.78 | 6156-129 | \$123.60 | 6156-133 | \$53.56 | 6156-151 | \$18.54 | 6156-167 | \$315.18 |
| 8370 | 6156-145 | \$335.78 | 6156-130 | \$123.60 | 6156-133 | \$53.56 | 6156-148 | \$18.54 | 6156-167 | \$315.18 |
| 8310 | 6156-145 | \$335.78 | 6156-131 | \$123.60 | 6156-141 | \$49.44 | 6156-149 | \$18.54 | 6156-167 | \$315.18 |
| 8315 | 6156-145 | \$335.78 | 6156-132 | \$123.60 | 6156-141 | \$49.44 | 6156-150 | \$18.54 | 6156-167 | \$315.18 |

*Imp/Dif Kit includes - impeller, diffuser, rotary seal, housing o-ring, seal ring, and diffuser screws

*Seal Kit includes - rotary seal, housing o-ring and seal ring

Pump Repair Parts

8500 / 8600 Repair Parts



| HP | (1) Motor | | (5) Impeller / Diffuser Kit* | | Impeller | | Diffuser | |
|--------------------|-----------|----------|------------------------------|----------|----------|----------|----------|---------|
| | Part # | Price | Part # | Price | Part # | Price | Part # | Price |
| 8550, 8550HP, 8650 | 6164-200 | \$505.73 | 6127-326 | \$136.99 | 6155-358 | \$58.71 | 6130-201 | \$33.99 |
| 8551, 8551HP, 8651 | 6164-200 | \$505.73 | 6127-327 | \$367.71 | 6155-330 | \$292.52 | 6130-201 | \$33.99 |
| 8570, 8570HP, 8670 | 6164-201 | \$601.52 | 6127-328 | \$143.17 | 6155-370 | \$64.89 | 6155-223 | \$38.11 |
| 8571, 8571HP, 8671 | 6164-201 | \$601.52 | 6127-329 | \$455.26 | 6155-334 | \$356.38 | 6155-223 | \$38.11 |
| 8510, 8510HP, 8610 | 6164-202 | \$673.62 | 6127-330 | \$143.17 | 6155-369 | \$64.89 | 6155-223 | \$38.11 |
| 8511, 8511HP, 8611 | 6164-202 | \$673.62 | 6127-331 | \$455.26 | 6155-333 | \$356.38 | 6155-223 | \$38.11 |

*Kit includes impeller, diffuser, rotary seal & housing gasket with instructions

| Part # | Ref # | Description | Price |
|----------|-------|-------------|----------|
| 6155-284 | 2 | \$82.40 | \$82.40 |
| 6422-500 | 3 | \$43.26 | \$43.26 |
| 3138-995 | 4 | \$2.37 | \$2.37 |
| 6155-224 | 4 | \$4.07 | \$4.07 |
| 3134-114 | 6 | \$0.36 | \$0.36 |
| 6155-238 | 7 | \$11.33 | \$11.33 |
| 6155-236 | 8 | \$356.38 | \$356.38 |
| 6155-237 | 8 | \$376.98 | \$376.98 |
| 6450-217 | 9 | \$15.45 | \$15.45 |

Miscellaneous Parts (Not shown above)

| Part # | Description | Price |
|----------|------------------------------|---------|
| 3119-112 | 101-2 Casing Adapter Washers | \$0.36 |
| 3100-527 | 1/2-13x1" Capscrew | \$2.15 |
| 3100-303 | 3/8-16 x 1 3/4 Sq Hd. Bolt | \$1.50 |
| 6450-214 | 2" Rubber Packing | \$23.69 |
| 6450-215 | 2" Gland | \$69.01 |
| 6450-261 | Casing Adapter Gasket | \$8.28 |
| 6127-248 | Pump Foot | \$14.42 |
| 3100-530 | Foot Capscrews | \$0.52 |
| 3100-565 | Body Capscrews | \$1.16 |
| 5999-903 | Brass diffuser screws | \$1.83 |
| 3110-951 | Regulating Valve Set screw | \$1.87 |
| 3134-133 | Diffuser O-Ring | \$0.60 |

Reference page 51 for Shallow Well Venturi - Nozzle - O-Ring Assemblies & Deep Well Kits - Jet Packages

Nema J Motor



| Part No. | HP | Volts | RPM | Wt. | Price |
|----------|-----|-----------------|------|-----|----------|
| 6155-240 | 1/2 | \$748.81 | 3500 | 16 | \$727.00 |
| 6155-241 | 3/4 | \$865.20 | 3500 | 19 | \$840.00 |
| 6155-242 | 1 | \$980.56 | 3500 | 22 | \$952.00 |

Square Flange Motor



| Part No. | HP | Volts | RPM | Wt. | Price |
|----------|-----|-----------------|------|-----|----------|
| 6164-200 | 1/2 | \$505.73 | 3500 | 19 | \$491.00 |
| 6164-201 | 3/4 | \$601.52 | 3500 | 21 | \$584.00 |
| 6164-202 | 1 | \$673.62 | 3500 | 24 | \$654.00 |

Nema C Motor



| Part No. | HP | Volts | RPM | Wt. | Price |
|----------|-------|-----------------|------|-----|----------|
| 6127-154 | 3/4 | \$659.20 | 3500 | 19 | \$640.00 |
| 6127-160 | 1 | \$765.29 | 3500 | 22 | \$743.00 |
| 6127-156 | 1 1/2 | \$849.75 | 3500 | 26 | \$825.00 |

*Factory Voltage Setting listed first in bold type.

Pump Repair Parts

1000 / 1500 Repair Parts

| Description | 3/4 HP 1075 & 1575 | | 1 HP 1010 & 1510 | | 3/4 HP 1075SW & 1575SW | | 1 HP 1010SW & 1510SW | | 1 1/2 HP 1015SW & 1515SW | |
|---------------------|-----------------------|----------|---------------------|----------|---------------------------|----------|-------------------------|----------|-----------------------------|----------|
| | Part # | Price | Part # | Price | Part # | Price | Part # | Price | Part # | Price |
| 1 Motor | 6127-154 | \$659.20 | 6127-160 | \$765.29 | 6127-154 | \$659.20 | 6127-160 | \$765.29 | 6127-156 | \$849.75 |
| *2 Brass Impeller | 6316-209 | \$396.55 | 6316-208 | \$379.04 | | | 6316-209 | \$396.55 | 6316-208 | \$379.04 |
| *2 Plastic Impeller | 6316-251 | \$65.92 | 6316-250 | \$73.13 | 6316-252 | \$64.00 | 6316-251 | \$65.92 | 6316-250 | \$73.13 |

*Impeller prices per each

| Part # | Ref # | Description | Price |
|----------|-------|-------------|----------|
| 3100-545 | 3 | \$1.15 | \$1.15 |
| 6316-228 | 4 | \$14.42 | \$14.42 |
| 6316-213 | 5 | \$8.28 | \$8.28 |
| 3104-131 | 6 | \$2.16 | \$2.16 |
| 3126-103 | 7 | \$1.72 | \$1.72 |
| 6316-227 | 8 | \$279.13 | \$279.13 |
| 6316-216 | 9 | \$207.03 | \$207.03 |
| 3121-509 | 10 | \$5.91 | \$5.91 |
| 6316-235 | 11 | \$770.44 | \$770.44 |
| 6127-248 | 12 | \$14.42 | \$14.42 |

*Kits include gaskets

| Part # | Ref # | Description | Price |
|----------|-------|-------------|----------|
| 6127-336 | 13 | \$59.74 | \$59.74 |
| 3126-126 | 14 | 1/4 Plug | \$1.39 |
| 6316-217 | 15 | \$169.95 | \$169.95 |
| 3100-530 | 16 | \$0.52 | \$0.52 |
| 6422-103 | 17 | \$87.55 | \$87.55 |
| 6127-334 | 18 | \$250.29 | \$250.29 |
| 6316-241 | 19 | \$426.42 | \$426.42 |
| 3100-529 | 20 | \$0.66 | \$0.66 |
| 6152-207 | 21 | \$3.55 | \$3.55 |

Shallow Well Jet Package

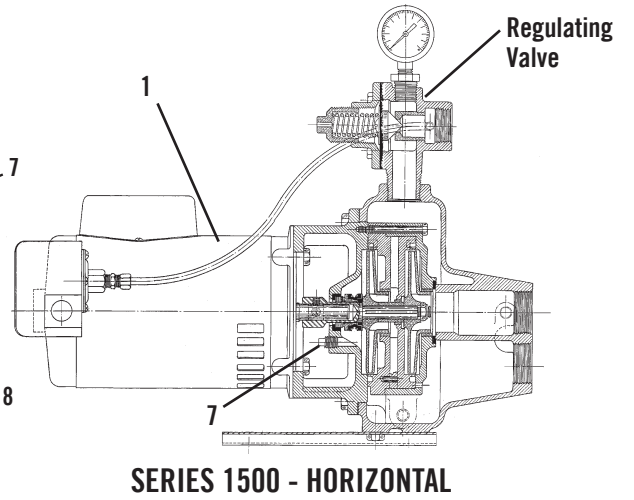
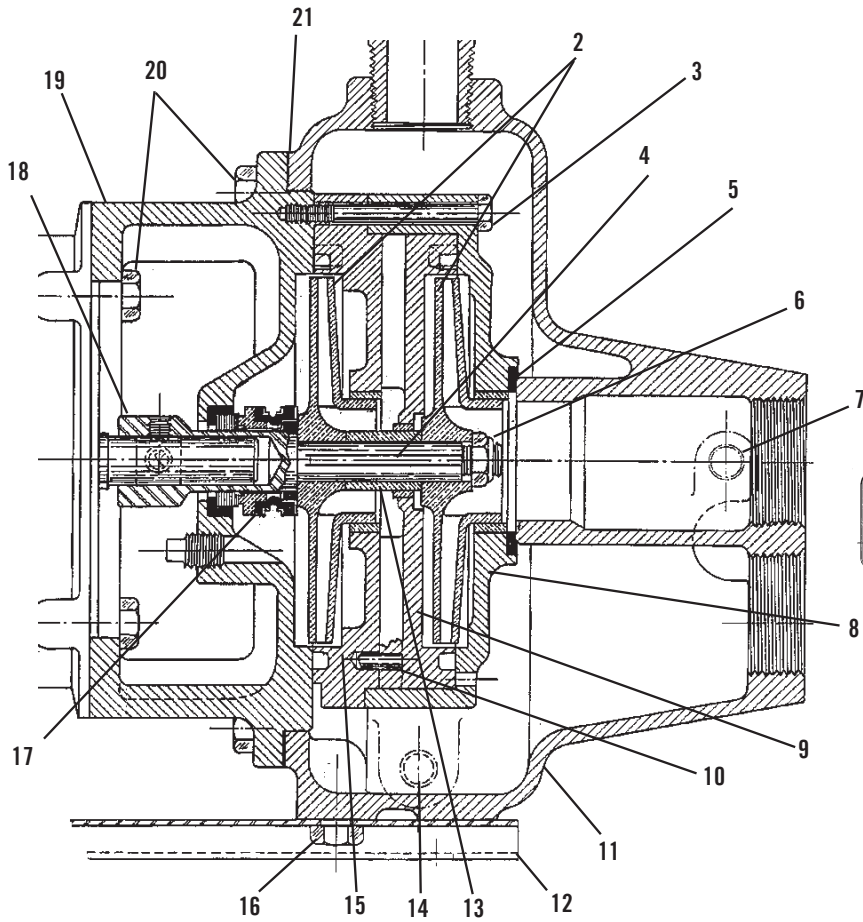
| Venturi Assembly | | | |
|------------------|-------|----------|---------|
| For Models | HP | Part # | Price |
| 659JP | 3/4 | 6155-314 | \$41.20 |
| 658JP | 1 | 6155-316 | \$11.33 |
| 652JP | 1 1/2 | 6155-212 | \$23.69 |

Deep Well Jet Package (2003 & Newer)

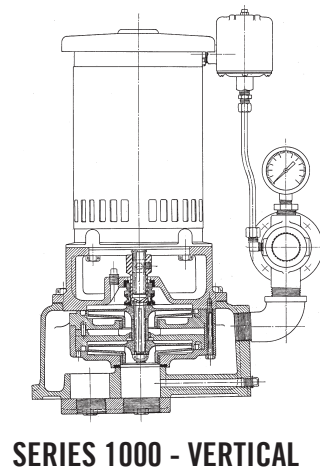
| For Models | Venturi | | Nozzle | |
|-----------------|----------|---------|----------|----------|
| | Part # | Price | Part # | Price |
| 7109MP & 7125MP | 6414-207 | \$38.11 | 5999-911 | \$100.94 |
| 7110MP & 7126MP | 6413-203 | \$38.11 | 6128-201 | \$8.14 |
| 7111MP & 7127MP | 6421-217 | \$38.11 | 5999-911 | \$100.94 |
| 7112MP & 7128MP | 6421-219 | \$38.11 | 5999-913 | \$100.94 |
| 7113MP & 7129MP | 6414-208 | \$41.20 | 5999-912 | \$100.94 |
| 7114MP & 7130MP | 6414-208 | \$41.20 | 5999-911 | \$100.94 |

Pump Repair Parts

1500 Repair Parts



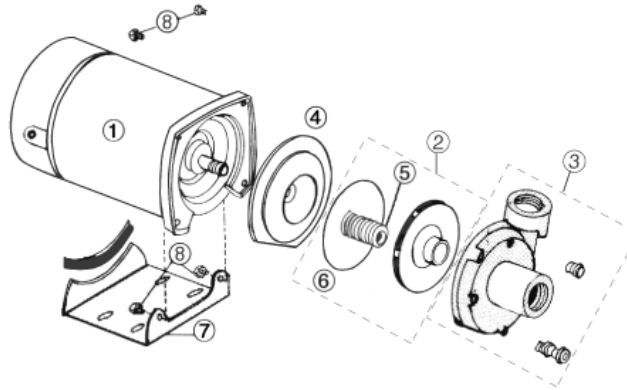
1000 Series Repair Parts



+For 1000 series, sold separately.

Pump Repair Parts

92000 / 93000 Series Repair Parts



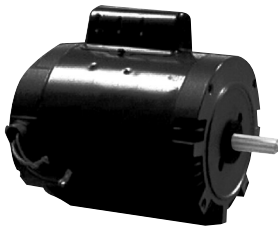
Pipe plugs & pet cock (drain) are included with volute assemblies.

| Pump Model | 1 Repair Motor | | | 2 Impeller / Seal Kit | | | 3 Volute Assembly | | |
|------------|----------------|----------|------------|-----------------------|----------|----------|-------------------|----------|----------|
| | Model # | Part # | Price | Model # | Part # | Price | Model # | Part # | Price |
| 92030 | 92050RM | 6712-258 | \$849.75 | 92050RK | 6712-046 | \$201.88 | 92100RV | 6712-262 | \$696.28 |
| | | | | | | | 92100RV | 6712-262 | \$696.28 |
| 92050 | 92050RM | 6712-258 | \$849.75 | 92050RK | 6712-046 | \$201.88 | 92100RV | 6712-262 | \$696.28 |
| | | | | | | | 92100RV | 6712-262 | \$696.28 |
| 92070 | 92070RM | 6712-257 | \$964.08 | 92070RK | 6712-045 | \$216.30 | 92100RV | 6712-262 | \$696.28 |
| 92100 | 92100RM | 6712-256 | \$1,119.61 | 92100RK | 6712-044 | \$220.42 | 92100RV | 6712-262 | \$696.28 |
| 92150 | 92150RM | 6712-255 | \$1,305.01 | 92150RK | 6712-043 | \$226.60 | 92100RV | 6712-262 | \$696.28 |
| 92200 | 92200RM | 6712-254 | \$1,722.16 | 92200RK | 6712-042 | \$252.35 | 92200RV | 6712-261 | \$788.98 |
| 92250 | 92250RM | 6712-253 | \$1,830.31 | 92250RK | 6712-041 | \$262.65 | 92300RV | 6712-260 | \$841.51 |
| 92300 | 92300RM | 6712-252 | \$2,084.72 | 92300RK | 6712-040 | \$281.19 | 92300RV | 6712-260 | \$841.51 |

| Model # | Part # | Ref # | Description | Price |
|---------|----------|-------|-----------------------|----------|
| 92000SP | 6712-250 | 4 | Seal Plate | \$220.42 |
| 92000RS | 6712-268 | 5 | Rotary seal | \$71.07 |
| 92000RO | 6712-267 | 6 | O-ring for seal plate | \$8.28 |
| 92000MB | 6712-251 | 7 | Mounting base | \$62.83 |
| --- | 3100-565 | 8 | Hex cap screws | \$1.16 |

Superbooster Motors

NEMA C (Keyed shaft) Motor | Single Phase, Open Drip Proof (ODP) | Capacitor Start



Nema C Motor

Two Compartments Products | E-Z Access

| Part No. | HP | Volts | Wt. | Price |
|----------|-------|----------|-----|----------|
| 6903-280 | 1/2 | \$600.49 | 19 | \$583.00 |
| 6903-281 | 3/4 | \$645.81 | 23 | \$627.00 |
| 6903-282 | 1 | \$753.96 | 24 | \$732.00 |
| 6903-283 | 1 1/2 | \$870.35 | 31 | \$845.00 |
| 6903-284 | 2 | \$976.44 | 31 | \$948.00 |

*Service Factor Amps. may vary with motor manufacturer - refer to label on motor

(1) Length not including shaft

(2) Contact factory for three phase and/or TEFC motors

Repair Gauge Kit

Use for alignment when assembling motor and pump end back together.

| Part No. | Model No. | Price |
|----------|-----------|---------|
| 6903-041 | 27000KIT | \$45.32 |

Pump Repair Parts

84000 Series Repair Parts

- For use with pumps manufactured currently

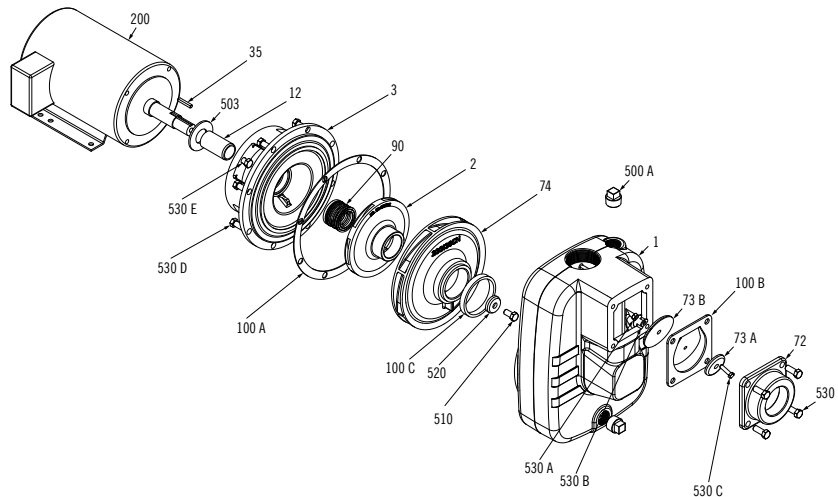


| REF# | A.Y. Part | Model # | Description | Price |
|------|-----------|----------|--------------------------|------------|
| #1 | 6180-528 | 84300SK | Suction Kit 3HP - 2" | \$478.95 |
| #1 | 6180-529 | 84500SK | Suction Kit 5HP - 2 1/2" | \$496.46 |
| #2 | 6180-526 | 84000FVA | Flapper Valve Assembly | \$123.60 |
| #3 | 6180-522 | 84315HK | Housing Kit 1.5" | \$1,269.99 |
| #3 | 6180-523 | 84525HK | Housing Kit 2.5" | \$1,303.98 |
| #3 | 6180-524 | 84503HK | Housing Kit 3" | \$1,363.72 |
| #7 | 6180-525 | 84001SS | Seal Sleeve | \$203.94 |
| #8 | 6180-521 | 84000SA | Seal Assembly | \$164.80 |

| REF# | A.Y. Part | Model # | Description | Price |
|----------|-----------|-----------|------------------------------------|------------|
| #4, 7, 9 | 6180-532 | 84001GSKT | Gasket Kit 3HP & 5HP | \$94.76 |
| #6, 7, 9 | 6180-530 | 84300IMP | Impeller Kit w/Seal & Sleeve - 3HP | \$1,180.38 |
| #6, 7, 9 | 6180-531 | 84500IMP | Impeller Kit w/Seal & Sleeve - 5HP | \$1,356.51 |
| #7, 10 | 6180-527 | 84000MAK | Motor Adapter Kit | \$833.27 |

84000 Series Repair Parts - Contact Factory

- For use with pumps manufactured from 1984 - August 2020



| REF# | A.Y. Part | Model # | Description |
|------|-----------|----------|--------------------------|
| #2 | 6180-311 | 84300IMP | Impeller 3 HP |
| #2 | 6180-312 | 84500IMP | Impeller 5 HP |
| #12 | 6180-320 | 84000SS | Shaft Sleeve 3 & 5 HP |
| #72 | 6180-315 | 84000CV | Check Valve Kit 3 & 5 HP |
| #74 | 6180-322 | 84000D | Diffuser Kit 3 & 5 HP |
| #90 | 6180-319 | 84000SL | Shaft Seal 3 & 5 HP |
| #503 | 6180-313 | 84000SLG | Slinger Kit 3 & 5 HP |

| REF# | A.Y. Part | Model # | Description |
|-------|-----------|-----------|------------------------------------|
| #520 | 6180-318 | 84500WSH | Impeller Washer 5 HP |
| #520 | 6180-309 | 84300WSH | Impeller Washer 3 HP |
| #100A | 6180-323 | 84000GSKT | Gasket Kit 3 & 5 HP |
| #100B | 6180-314 | 84000VG | Flapper Valve Gasket 3 & 5 HP |
| #100C | 6180-324 | 84000DR | Diffuser Ring 3 & 5 HP |
| #73A | 6180-316 | 84000TW | Top Weight 3 & 5 HP |
| #73B | 6180-317 | 84000BW | Bottom Weight Check Valve 3 & 5 HP |

For items not listed, contact factory.

Pump Repair Parts



89000 Series Repair Parts Self Priming Sprinkler Pumps Repair Parts



| Model No. | Casing | Price | Imp/Dif Kit | Price | Seal Kit | Price | Adapter | Price |
|-----------|----------|----------|-------------|----------|----------|---------|----------|----------|
| 89100 | 6156-146 | \$364.62 | 6156-137 | \$140.08 | 6156-142 | \$65.92 | 6156-168 | \$315.18 |
| 89150 | 6156-146 | \$364.62 | 6156-138 | \$140.08 | 6156-142 | \$65.92 | 6156-168 | \$315.18 |
| 89200 | 6156-146 | \$364.62 | 6156-139 | \$140.08 | 6156-142 | \$65.92 | 6156-168 | \$315.18 |

*Imp/Dif Kit includes - impeller, diffuser, rotary seal, housing o-ring, seal ring, and diffuser screws

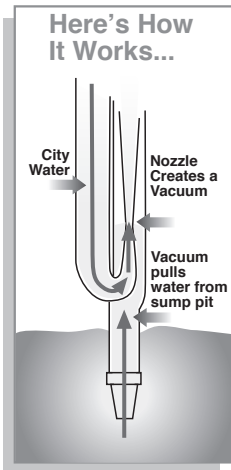
*Seal Kit includes - rotary seal, housing o-ring and seal ring

Guardian Repair Parts



Emergency Back Up Sump Pump

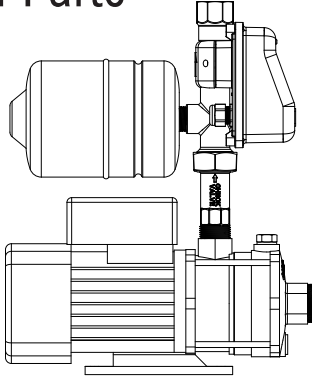
The Guardian consists of all components outlined



| Model # | Part # | Description | Price |
|-----------|----------|---|----------|
| 747H20FL2 | 6225-017 | Float Package (New Style) - Float, Float Rod, four rubber grommet stoppers, standoff, and hose clamp | \$49.44 |
| 747H20MT | 6225-004 | Mounting Package - Galvanized Nipple 1/4 x 5 - Mounting Bracket 1/4 FNPT Zinc Flange - Elbow 1/4 90° Galvanized Iron - Split Ring Hanger 1 1/4 OD-Zinc | \$64.89 |
| 747H20SC | 6225-003 | Suction Kit - Suction Tube - 1 PVC - Inlet Strainer - Adaptor PVC x FNPT 1 SCH 40 - Hose Clamp | \$35.02 |
| 747H20SV2 | 6225-016 | Switch Valve Replacement (New Style) - To replace the mechanically activated diaphragm valve with attached float mechanism *Repair parts/pieces are not sold separately for this valve. | \$445.99 |
| | 5040-007 | Basic Guardian Single Check | \$64.89 |
| | 6225-525 | Jet Package Kit - Jet Body and Venturi Nozzle Assembly | \$112.27 |
| | 6155-316 | Venturi/Nozzle Assembly | \$11.33 |

Pump Repair Parts

DuraMAC™ Booster Pumps Repair Parts



20 GPM | E-Series Residential

18035R020PC1 / 18035R020PC1SS*

| Part No. | Description | Price |
|----------|---|------------|
| 6010-003 | 17035R020P-1 Pump 120V Pump +35 20 GPM 1/2 HP 120V | \$1,398.74 |
| 6010-103 | Control box with cross | \$1,004.25 |
| 6127-382 | 1/2 Gallon Diaphragm Tank | \$117.42 |
| 6010-112 | Control Box w/Stainless Steel Cross* 120V | \$1,209.22 |
| 6010-104 | Control box | \$712.76 |

18052R020PC1 / 18052R020PC1SS*

| Part No. | Description | Price |
|----------|---|------------|
| 6010-004 | 17052R020P-1 Pump 120V Pump +52 20 GPM 3/4 HP 120V | \$1,501.74 |
| 6010-103 | Control box with cross | \$1,004.25 |
| 6127-382 | 1/2 Gallon Diaphragm Tank | \$117.42 |
| 6010-112 | Control Box w/Stainless Steel Cross* 120V | \$1,209.22 |
| 6010-104 | Control box | \$712.76 |

*SS = Stainless Steel

20 GPM | Residential

17035R020PC1

| Part No. | Description | Price |
|------------|--|------------|
| 6010-003 | 17035R020P-1 Pump 120V, Pump & Motor Assembly Pump +35 20 GPM 1/2 HP 120V | \$1,398.74 |
| 6010-001 | Control Box 120V with Tee | \$1,537.79 |
| 6010-009 | Control Box 120V (Black box) | \$982.62 |
| 6010-026 | Transducer TDL32K 150 PSI 5V | \$328.57 |
| 6127-388** | Two Gallon Diaphragm Tank | \$111.00 |
| 6010-027 | Check Valve 1" MNPT x 1" MNPT | \$104.03 |
| 6010-554 | Seal Kit - (Stage gasket & rotary seal) | \$83.43 |
| 6010-032 | 15000T Booster Tee Assembly | \$540.75 |
| 6010-028 | Pressure Gauge 0 - 100 2" Dry | \$40.17 |

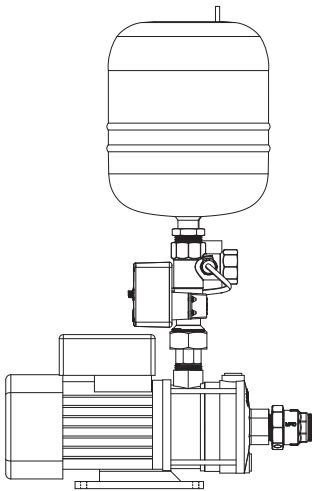
17052R020PC1

| Part No. | Description | Price |
|------------|--|------------|
| 6010-004 | 17052R020P-1 Pump 120V, Pump & Motor Assembly Pump +52 20 GPM 3/4 HP 120V | \$1,501.74 |
| 6010-001 | Control Box 120V with Tee | \$1,537.79 |
| 6010-009 | Control Box 120V (Black box) | \$982.62 |
| 6010-026 | Transducer TDL32K 150 PSI 5V | \$328.57 |
| 6127-388** | Two Gallon Diaphragm Tank | \$111.00 |
| 6010-027 | Check Valve 1" MNPT x 1" MNPT | \$104.03 |
| 6010-554 | Seal Kit - (Stage gasket & rotary seal) | \$83.43 |
| 6010-032 | 15000T Booster Tee Assembly | \$540.75 |
| 6010-028 | Pressure Gauge 0 - 100 2" Dry | \$40.17 |

17070R020PC2

| Part No. | Description | Price |
|------------|--|------------|
| 6010-005 | 17070R020P-2 Pump 230V, Pump & Motor Assembly Pump +70 20 GPM 1 HP 230V | \$1,650.06 |
| 6010-002 | Control Box 230V with Tee | \$2,139.31 |
| 6010-010 | Control Box 230V (Black box) | \$1,418.31 |
| 6010-026 | Transducer TDL32K 150 PSI 5V | \$328.57 |
| 6127-388** | Two Gallon Diaphragm Tank | \$111.00 |
| 6010-027 | Check Valve 1" MNPT x 1" MNPT | \$104.03 |
| 6010-554 | Seal Kit - (Stage gasket & rotary seal) | \$83.43 |
| 6010-032 | 15000T Booster Tee Assembly | \$540.75 |
| 6010-028 | Pressure Gauge 0 - 100 2" Dry | \$40.17 |

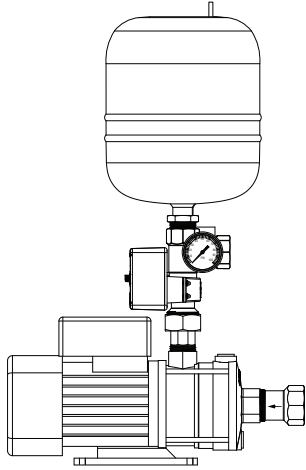
** Tank Multiplier Applies



Pump Repair Parts

DuraMAC™ Booster Pumps

Repair Parts



35 GPM | Light Commercial

17040C035PC2

| Part No. | Description | Price |
|----------|---|------------|
| 6010-011 | 17040C035P-2 Pump 230V, Pump & Motor Assembly Pump +40 35 GPM 1 HP 230V | \$1,537.79 |
| 6010-002 | Control Box 230V with Tee | \$2,139.31 |
| 6010-010 | Control Box 230V (Black box) | \$1,418.31 |
| 6010-026 | Transducer TDL32K 150 PSI 5V | \$328.57 |
| 6127-388 | Two Gallon Diaphragm Tank | \$114.33 |
| 6010-029 | Check 1 1/4" MNPT x 1 1/4" FNPT | \$116.39 |
| 6010-554 | Seal Kit - (Stage gasket & rotary seal) | \$83.43 |
| 6010-032 | 15000T Booster Tee Assembly | \$540.75 |
| 6010-028 | Pressure Gauge 0 - 100 2" Dry | \$40.17 |

17062R035PC2

| Part No. | Description | Price |
|----------|---|------------|
| 6010-012 | 17062C035P-2 Pump 230V, Pump & Motor Assembly Pump +62 35 GPM 1 HP 230V | \$1,655.21 |
| 6010-002 | Control Box 230V with Tee | \$2,139.31 |
| 6010-010 | Control Box 230V (Black box) | \$1,418.31 |
| 6010-026 | Transducer TDL32K 150 PSI 5V | \$328.57 |
| 6127-388 | Two Gallon Diaphragm Tank | \$114.33 |
| 6010-029 | Check 1 1/4" MNPT x 1 1/4" FNPT | \$116.39 |
| 6010-554 | Seal Kit - (Stage gasket & rotary seal) | \$83.43 |
| 6010-032 | 15000T Booster Tee Assembly | \$540.75 |
| 6010-028 | Pressure Gauge 0 - 100 2" Dry | \$40.17 |

17078R035PC2

| Part No. | Description | Price |
|----------|---|------------|
| 6010-013 | 17078C035P-2 Pump 230V, Pump & Motor Assembly Pump +78 35 GPM 1 1/2 HP 230V | \$1,894.17 |
| 6010-002 | Control Box 230V with Tee | \$2,139.31 |
| 6010-010 | Control Box 230V (Black box) | \$1,418.31 |
| 6010-026 | Transducer TDL32K 150 PSI 5V | \$328.57 |
| 6127-388 | Two Gallon Diaphragm Tank | \$114.33 |
| 6010-029 | Check 1 1/4" MNPT x 1 1/4" FNPT | \$116.39 |
| 6010-554 | Seal Kit - (Stage gasket & rotary seal) | \$83.43 |
| 6010-032 | 15000T Booster Tee Assembly | \$540.75 |
| 6010-028 | Pressure Gauge 0 - 100 2" Dry | \$40.17 |

70 GPM | Commercial

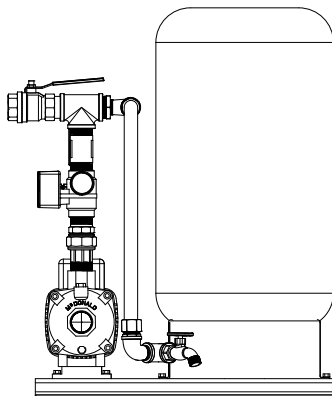
Modular, Simplex, Duplex

17044C070PC2-M | 17044C070PC2-S | 17044C120PC2-D

| Part No. | Description | Price |
|------------|---|-----------------|
| 6010-017 | 17044C070P-2 Pump 230V, Pump & Motor Assembly Pump +44 70 GPM 2 HP 230V | \$2,586.33 |
| 6010-026 | Transducer TDL32K 150 PSI 5V | \$328.57 |
| 6011-009 | Dual-Mode Control Repair (Black Box) | \$1,106.22 |
| 6011-012 | Paddle Switch | \$903.31 |
| 6127-397** | 16021PV4F - Pressure Tank | \$557.00 |
| 6011-011 | Pressure Gauge 0 - 100 2 1/2" Liquid filled | \$94.76 |
| 6010-555 | Seal Kit - (Stage gasket & rotary seal) | \$100.94 |
| 5424-401 | Ball Valve 1/4" MNPT x 1/4" FNPT (Test Cock) | Contact Factory |

17060C070PC2-M | 17060C070PC2-S | 17060C120PC2-D

| Part No. | Description | Price |
|------------|---|-----------------|
| 6010-018 | 17060C070P-2 Pump 230V, Pump & Motor Assembly Pump +60 70 GPM 2 HP 230V | \$2,604.87 |
| 6010-026 | Transducer TDL32K 150 PSI 5V | \$328.57 |
| 6011-009 | Dual-Mode Control Repair (Black Box) | \$1,106.22 |
| 6011-012 | Paddle Switch | \$903.31 |
| 6127-397** | 16021PV4F - Pressure Tank | \$557.00 |
| 6011-011 | Pressure Gauge 0 - 100 2 1/2" Liquid filled | \$94.76 |
| 6010-555 | Seal Kit - (Stage gasket & rotary seal) | \$100.94 |
| 5424-401 | Ball Valve 1/4" MNPT x 1/4" FNPT (Test Cock) | Contact Factory |



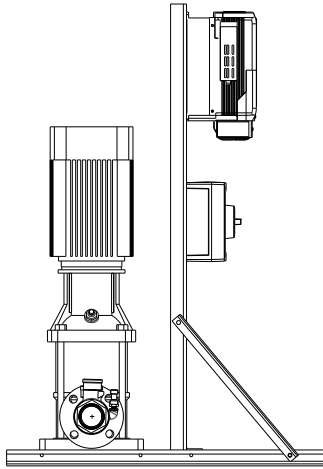
Dual-Mode - Simplex

** Tank Multiplier Applies

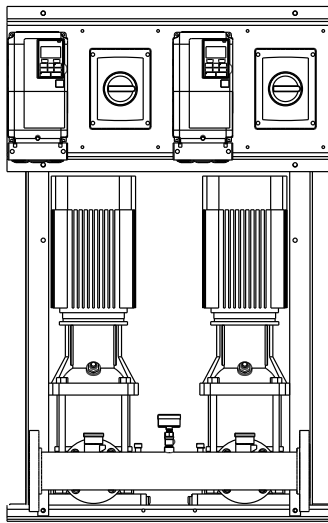
Pump Repair Parts

DuraMAC™ Booster Pumps (IQ1000)

Repair Parts - Vertical Multistage Variable Speed Booster Systems (VSB)



Simplex



Duplex

3 HP - 10 HP Simplex / Duplex / Triplex

| Part No. | Description | Price |
|----------|---|-----------------|
| 6012-106 | Transducer 4-20mA 150 PSI | \$390.37 |
| 6012-107 | Transducer 4-20mA 200 PSI | \$390.37 |
| 6012-108 | Transducer 4-20mA 15 PSI | \$250.29 |
| 6012-531 | Transducer Cable M12 - 9 ft. long | \$156.56 |
| 6012-533 | Wafer Check Valve - 2" soft seat | \$730.27 |
| 6012-453 | Flange Kit Thread 304SS | Contact Factory |
| 6012-109 | Seal Repair Part SiC / Carbon / EPDM | \$383.16 |
| 6012-110 | Seal Repair Part (SiC / SiC / EPDM) - Sandy Water | \$406.85 |
| 6012-654 | Pressure Gauge 200 PSI Liquid filled | \$94.76 |
| 6011-537 | Pressure Gauge 100 PSI Liquid filled | \$94.76 |

IQ 1000

| | | |
|----------|---|-------------------------------|
| 6012-575 | Yaskawa Drive 3 HP 3 Phase 230V | \$7,302.70 |
| 6012-576 | Yaskawa Drive 3 HP 1 Phase 230V Yaskawa Drive 5 HP 3 Phase 230V | \$8,564.45 Contact Factory |
| 6012-577 | Yaskawa Drive 7 1/2 HP 3 Phase 230V | \$8,949.67 |
| 6012-578 | Yaskawa Drive 5 HP 1 Phase 230V Yaskawa Drive 10 HP 3 Phase 230V | \$9,333.86 Contact Factory |
| 6012-579 | Yaskawa Drive 5 HP 3 Phase 460V | \$8,052.54 |
| 6012-580 | Yaskawa Drive 7 1/2 HP 3 Phase 460V | \$9,259.70 |
| 6012-581 | Yaskawa Drive 10 HP 3 Phase 460V | \$8,986.75 |
| 6012-590 | Disconnect - Altech 30 Amp | \$1,238.06 |
| 6012-591 | Disconnect - AB 60 Amp | \$2,050.73 |
| 6012-520 | Pump end 17062V080 | \$4,416.64 |
| 6012-521 | Pump end 17084V080 | \$6,701.18 |
| 6012-522 | Pump end 17104V080 | \$4,416.64 |
| 6012-523 | Pump end 17150V080 | \$5,968.85 |
| 6012-524 | Pump end 17142V120 | \$6,502.39 |
| 6012-525 | Pump end 17060V140 | \$4,507.28 |
| 6012-526 | Pump end 17088V140 | \$5,696.93 |
| 6012-528 | Pump end 17056V120 | \$2,742.89 |
| 6012-547 | Motor TEFC - 3 HP Energy Eff 182TC | \$1,949.79 |
| 6012-548 | Motor TEFC - 5 HP Energy Eff 184TC | \$2,394.75 |
| 6012-549 | Motor TEFC - 7 HP Energy Eff 213TC | \$2,956.10 |
| 6012-550 | Motor TEFC - 10 HP Energy Eff 215TC | \$3,413.42 |
| 6012-551 | Motor TEFC - 15 HP Energy Eff 215TC | \$3,977.00 |

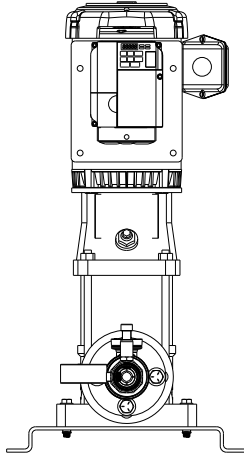
3 HP - 10 HP VSB - Simplex / Duplex Accessories

| Part No. | Description | Price |
|----------|--|----------|
| 6012-102 | Flange Blind 3" 150# 304 SS | \$229.00 |
| 6012-103 | Flange Threaded 3" 150# 304 SS | \$229.00 |
| 6012-104 | Flange Kit Blind 3" 150# 304 SS | \$257.00 |
| 6012-105 | Flange Kit Threaded 3" 150# 304 SS | \$257.00 |

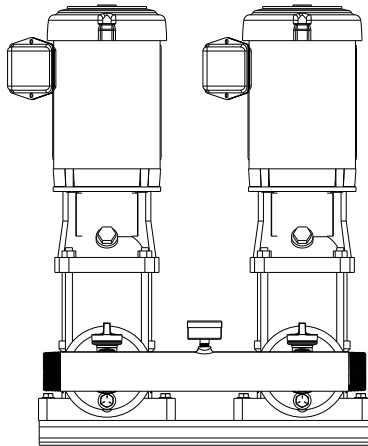
Pump Repair Parts

DuraMAC™ Booster Pumps (MICRO)

Repair Parts - Vertical Multistage Variable Speed Booster Systems (VSB)



Simplex



Duplex

1 1/2 HP - 3 HP Simplex / Duplex

| Part No. | Description | Price |
|----------|---|-----------------|
| 6012-106 | Transducer 4-20mA 150 PSI | \$390.37 |
| 6012-107 | Transducer 4-20mA 200 PSI | \$390.37 |
| 6012-114 | Seal Repair Part SiC / Carbon / EPDM | \$331.66 |
| 6012-115 | Seal Repair Part SiC / SiC / EPDM - Sandy Water | \$331.66 |
| 6012-654 | Pressure Gauge 200 PSI Liquid filled | \$94.76 |
| 6011-537 | Pressure Gauge 100 PSI Liquid filled | \$94.76 |
| 6012-831 | Pressure Gauge CBM 100 PSI Liquid filled | \$98.88 |
| 6012-582 | Yaskawa Drive V1000 1 1/2 HP 1 Phase 230V | \$4,161.20 |
| 6012-583 | Yaskawa Drive V1000 2 HP 1 Phase 230V | \$4,435.18 |
| 6012-584 | Yaskawa Drive V1000 3 HP 1 Phase 230V | Contact Factory |
| 6012-585 | Yaskawa Drive V1000 2 HP 3 Phase 230V | \$3,971.68 |
| 6012-586 | Yaskawa Drive V1000 3 HP 3 Phase 230V | \$4,382.65 |
| 6012-588 | Yaskawa Drive V1000 1 1/2 HP 3 Phase 230V | \$3,623.54 |
| 6012-832 | Yaskawa Digital Operator | Contact Factory |
| 6012-515 | Pump End 17103V020 | \$3,020.99 |
| 6012-516 | Pump End 17140V020 | \$3,496.85 |
| 6012-518 | Pump End 17066V040 | \$2,941.68 |
| 6012-519 | Pump End 17122V040 | \$3,529.81 |
| 6012-587 | Pump End 17110V040 | \$3,277.46 |
| 6012-631 | Motor TEFC - 1 1/2 HP Energy Eff 56C | \$1,031.03 |
| 6012-632 | Motor TEFC - 2 HP Energy Eff 56C | \$1,095.92 |
| 6012-633 | Motor TEFC - 3 HP Energy Eff 56C | \$1,278.23 |

Dewatering Pump Repair parts:

Mini Mac Repair Kit

| Part No. | Model No. | Description | Wt. | Price |
|----------|-----------|-------------|-----|---------|
| 6195-012 | *300622RK | \$59.74 | 1 | \$58.00 |

Factory tooling — Not a sellable product

| Part No. | Description | Price |
|----------|--|-------------|
| 6180-464 | PLTPWS-AY MODEL PLATE - BOX OF 25 KITS | \$209.09 |
| 6180-465 | BUILD TOOLING KIT 6" PUMPS | \$9,137.13 |
| 6180-466 | BUILD TOOLING KIT 8-10" PUMPS | \$8,869.33 |
| 6180-467 | BUILD TOOLING KIT 6-10" PUMPS | \$20,687.55 |
| 6180-471 | FIXTURE FLOOR BASE | \$394.49 |
| 6180-472 | ALLEN WRENCH 14 MM | \$38.11 |
| 6180-473 | JIG 6" PUMP END BY 4" MOTOR | \$290.46 |
| 6180-474 | INTERCONNECTOR 6X4 | \$151.41 |
| 6180-475 | ALLEN WRENCH 6 MM | \$38.11 |
| 6180-476 | JIG 6" PUMP END BY 6" MOTOR | \$290.46 |
| 6180-477 | INTERCONNECTOR 6X6 | \$151.41 |
| 6180-478 | ALLEN WRENCH 8 MM | \$38.11 |
| 6180-479 | JIG 8" PUMP END BY 6" MOTOR | \$782.80 |
| 6180-480 | JIG 8" PUMP END BY 8" MOTOR | \$788.98 |
| 6180-481 | JIG 10" PUMP END BY 10" MOTOR | \$1,491.44 |
| 6180-482 | WRENCH OPEN END 30 MM | \$209.09 |
| 6180-483 | SOCKET ADAPTOR 90 GPM | \$241.02 |
| 6180-484 | SPACER 90 GPM | \$241.02 |
| 6180-485 | TORQUE TESTING NUT 90 GPM | \$341.96 |
| 6180-486 | RATCHET 150 TO 300 GPM 46 MM | \$548.99 |
| 6180-487 | SPACER 150 TO 300 GPM | \$134.93 |
| 6180-488 | TORQUE TESTING NUT 150-300 GPM | \$134.93 |
| 6180-489 | SPANNER SOCKET 230 GPM | \$277.07 |
| 6180-490 | SPANNER SOCKET 300 GPM | \$277.07 |
| 6180-491 | RATCHET 400 TO 500 GPM 52 MM | \$1,088.71 |
| 6180-492 | TORQUE TESTING NUT 400-500 GPM | \$612.85 |
| 6180-493 | SPANNER SOCKET 400 GPM | \$277.07 |
| 6180-494 | SPANNER SOCKET 500 GPM | \$277.07 |
| 6180-495 | RATCHET 650 TO 800 GPM 57 MM | \$2,053.82 |
| 6180-496 | TORQUE TESTING NUT 650-800 GPM | \$817.82 |
| 6180-497 | RATCHET 1100 GPM 78 MM | \$2,053.82 |
| 6180-498 | TORQUE TESTING NUT 1100 GPM | \$817.82 |
| 6180-499 | TORQUE WRENCH 20-110 NM | \$261.62 |
| 6180-500 | TORQUE WRENCH INSERT | \$97.85 |
| 6180-501 | WRENCH INSERT 17 MM TORQUE WRENCH | \$344.02 |
| 6180-502 | SOCKET 17MM | \$432.60 |
| 6180-503 | DEPTH CALIPER 6" PUMP END BY 4" MOTOR | \$680.83 |
| 6180-504 | MOTOR SHAFT TOOL 4" MOTOR | \$680.83 |
| 6180-505 | WRENCH INSERT 19 MM TORQUE WRENCH | \$344.02 |
| 6180-506 | SOCKET 19 MM | \$432.60 |
| 6180-507 | DEPTH CALIPER 6" PUMP END BY 6" MOTOR | \$680.83 |
| 6180-508 | MOTOR SHAFT TOOL 6" MOTOR | \$680.83 |
| 6180-509 | TORQUE WRENCH 60-300 NM | \$817.82 |
| 6180-510 | WRENCH INSERT 24 MM TORQUE WRENCH | \$344.02 |
| 6180-511 | SOCKET 24 MM | \$364.62 |
| 6180-512 | DEPTH CALIPER 8" & 10" PUMP END | \$817.82 |
| 6180-513 | MOTOR SHAFT TOOL 8" & 10" MOTORS | \$817.82 |
| 6180-514 | ALLEN WRENCH 3 MM | \$38.11 |

Internal assembly component

| Part No. | Description | Price |
|----------|--|------------|
| 6180-327 | 90MOD0402 BUILD COMPONENTS 90 GPM 4" MOTOR 2 STG | \$451.14 |
| 6180-328 | 90MOD0404 BUILD COMPONENTS 90 GPM 4" MOTOR 4 STG | \$504.70 |
| 6180-329 | 90MOD0606 BUILD COMPONENTS 90 GPM 6" MOTOR 6 STG | \$307.97 |
| 6180-330 | 90MOD0609 BUILD COMPONENTS 90 GPM 6" MOTOR 9 STG | \$379.04 |
| 6180-331 | 90MOD0613 BUILD COMPONENTS 90 GPM 6" MOTOR 13 STG | \$522.21 |
| 6180-332 | 90MOD0618 BUILD COMPONENTS 90 GPM 6" MOTOR 18 STG | \$648.90 |
| 6180-333 | 90MOD0622L BUILD COMPONENTS 90 GPM 6" MOTOR 22 STG | \$776.62 |
| 6180-334 | 90MOD0626L BUILD COMPONENTS 90 GPM 6" MOTOR 26 STG | \$889.92 |
| 6180-335 | 90STD0403 STANDARD ASSY 4" MOTOR 3" DISCHARGE | \$1021.76 |
| 6180-336 | 90STD0603 STANDARD ASSY 6" MTR 3" DISCHARGE 1 TO 20 STG | \$1275.14 |
| 6180-337 | 90STD0603L STANDARD ASSY 6" MTR 3" DISCHARGE 21 TO 28 STG | \$1275.14 |
| 6180-338 | 90STGBF BOTTOM STAGE 90 GPM | \$345.05 |
| 6180-339 | 90STGMF STANDARD STAGE 90 GPM | \$345.05 |
| 6180-340 | 150MOD0403 BUILD COMPONENTS 150 GPM 4" MOTOR 3 STG | \$501.61 |
| 6180-341 | 150MOD0604 BUILD COMPONENTS 150 GPM 6" MOTOR 4 STG | \$321.36 |
| 6180-342 | 150MOD0605 BUILD COMPONENTS 150 GPM 6" MOTOR 5 STG | \$344.02 |
| 6180-343 | 150MOD0608 BUILD COMPONENTS 150 GPM 6" MOTOR 8 STG | \$527.36 |
| 6180-344 | 150MOD0611 BUILD COMPONENTS 150 GPM 6" MOTOR 11 STG | \$604.61 |
| 6180-345 | 150MOD0614 BUILD COMPONENTS 150 GPM 6" MOTOR 14 STG | \$770.44 |
| 6180-346 | 150MOD0617 BUILD COMPONENTS 150 GPM 6" MOTOR 17 STG | \$953.78 |
| 6180-347 | 150MOD0623L BUILD COMPONENTS 150 GPM 6" MOTOR 23 STG | \$1,202.01 |
| 6180-348 | 150MOD0628L BUILD COMPONENTS 150 GPM 6" MOTOR 28 STG | \$2,166.09 |
| 6180-349 | 150STD0403A STANDARD ASSY 4" MOTOR 3" DISCHARGE | \$1104.16 |
| 6180-350 | 150STD0603 STANDARD ASSY 6" MTR 3" DISCHARGE 1 TO 20 STG | \$1354.45 |
| 6180-351 | 150STD0603L STANDARD ASSY 6" MTR 3" DISCHARGE 21 TO 28 STG | \$1354.45 |
| 6180-352 | 150STGBF BOTTOM STAGE 150 GPM | \$413.03 |
| 6180-353 | 150STGMF STANDARD STAGE 150 GPM | \$413.03 |
| 6180-354 | 230MOD0402 BUILD COMPONENTS 230 GPM 4" MOTOR 2 STG | \$278.10 |
| 6180-355 | 230MOD0603 BUILD COMPONENTS 230 GPM 6" MOTOR 3 STG | \$278.10 |
| 6180-356 | 230MOD0604 BUILD COMPONENTS 230 GPM 6" MOTOR 4 STG | \$344.02 |
| 6180-357 | 230MOD0605 BUILD COMPONENTS 230 GPM 6" MOTOR 5 STG | \$418.18 |
| 6180-358 | 230MOD0607 BUILD COMPONENTS 230 GPM 6" MOTOR 7 STG | \$516.03 |
| 6180-359 | 230MOD0608 BUILD COMPONENTS 230 GPM 6" MOTOR 8 STG | \$544.87 |
| 6180-360 | 230MOD0610 BUILD COMPONENTS 230 GPM 6" MOTOR 10 STG | \$650.96 |
| 6180-361 | 230MOD0613 BUILD COMPONENTS 230 GPM 6" MOTOR 13 STG | \$786.92 |
| 6180-362 | 230MOD0617 BUILD COMPONENTS 230 GPM 6" MOTOR 17 STG | \$1,021.76 |
| 6180-363 | 230MOD0620 BUILD COMPONENTS 230 GPM 6" MOTOR 20 STG | \$1,166.99 |
| 6180-364 | 230STD0603 STANDARD ASSY 6" MTR 3" DISCHARGE | \$1347.24 |
| 6180-365 | 230STD0403B STANDARD ASSY TRIMMED B 4" MTR 3" DISCHARGE | \$1126.82 |
| 6180-366 | 230STD0603B STANDARD ASSY TRIMMED B 6" MTR 3" DISCHARGE | \$1347.24 |
| 6180-367 | 230STD0603C STANDARD ASSY TRIMMED C 6" MTR 3" DISCHARGE | \$1347.24 |
| 6180-368 | 230STGBF BOTTOM STAGE 230 GPM | \$504.7 |
| 6180-369 | 230STGBA BOTTOM STAGE TRIMMED A 230 GPM | \$504.7 |
| 6180-370 | 230STGMB STANDARD STAGE TRIMMED B 230 GPM | \$506.76 |
| 6180-371 | 230STGMF STANDARD STAGE 230 GPM | \$506.76 |
| 6180-372 | 300MOD0401 BUILD COMPONENTS 300 GPM 4" MOTOR 1 STG | \$444.96 |
| 6180-373 | 300MOD0602 BUILD COMPONENTS 300 GPM 6" MOTOR 2 STG | \$280.16 |
| 6180-374 | 300MOD0603 BUILD COMPONENTS 300 GPM 6" MOTOR 3 STG | \$289.43 |
| 6180-375 | 300MOD0604 BUILD COMPONENTS 300 GPM 6" MOTOR 4 STG | \$328.57 |

| Part No. | Description | Price |
|----------|---|------------|
| 6180-376 | 300MOD0606 BUILD COMPONENTS 300 GPM 6" MOTOR 6 STG | \$463.50 |
| 6180-377 | 300MOD0607 BUILD COMPONENTS 300 GPM 6" MOTOR 7 STG | \$516.03 |
| 6180-378 | 300MOD0609 BUILD COMPONENTS 300 GPM 6" MOTOR 9 STG | \$606.67 |
| 6180-379 | 300MOD0611 BUILD COMPONENTS 300 GPM 6" MOTOR 11 STG | \$695.25 |
| 6180-380 | 300MOD0614 BUILD COMPONENTS 300 GPM 6" MOTOR 14 STG | \$831.21 |
| 6180-381 | 300MOD0617 BUILD COMPONENTS 300 GPM 6" MOTOR 17 STG | \$1,021.76 |
| 6180-382 | 300STD0604 STANDARD ASSY 6" MTR 4" DISCHARGE | \$1347.24 |
| 6180-383 | 300STD0604B STANDARD ASSY TRIMMED B 6" MTR 4" DISCHARGE | \$1347.24 |
| 6180-384 | 300STD0604A STANDARD ASSY TRIMMED A 6" MTR 4" DISCHARGE | \$1347.24 |
| 6180-385 | 300STGBF BOTTOM STAGE 300 GPM | \$553.11 |
| 6180-386 | 300STGMF STANDARD STAGE 300 GPM | \$553.11 |
| 6180-387 | 400MOD0601 BUILD COMPONENTS 400 GPM 6" MOTOR 1 STG | \$326.51 |
| 6180-388 | 400MOD0602 BUILD COMPONENTS 400 GPM 6" MOTOR 2 STG | \$344.02 |
| 6180-389 | 400MOD0603 BUILD COMPONENTS 400 GPM 6" MOTOR 3 STG | \$414.06 |
| 6180-390 | 400MOD0604 BUILD COMPONENTS 400 GPM 6" MOTOR 4 STG | \$520.15 |
| 6180-391 | 400MOD0605 BUILD COMPONENTS 400 GPM 6" MOTOR 5STG | \$565.47 |
| 6180-392 | 400MOD0606 BUILD COMPONENTS 400 GPM 6" MOTOR 6 STG | \$619.03 |
| 6180-393 | 400MOD0607 BUILD COMPONENTS 400 GPM 6" MOTOR 7 STG | \$669.50 |
| 6180-394 | 400MOD0810 BUILD COMPONENTS 400 GPM 8" MOTOR 10 STG | \$833.27 |
| 6180-395 | 400MOD0813 BUILD COMPONENTS 400 GPM 8" MOTOR 13 STG | \$999.10 |
| 6180-396 | 400STD0605 STANDARD ASSY 6" MTR 5" DISCHARGE | \$2650.19 |
| 6180-397 | 400STD0605A STANDARD ASSY TRIMMED A 6" MTR 5" DISCHARGE | \$2650.19 |
| 6180-398 | 400STD0605D STANDARD ASSY 6" MTR 5" DISCHARGE | \$2650.19 |
| 6180-399 | 400STD0805 STANDARD ASSY 8" MTR 5" DISCHARGE | \$3338.23 |
| 6180-400 | 400STGTF TOP STAGE 400 GPM | \$688.04 |
| 6180-401 | 400STGTA TOP STAGE TRIMMED A 400 GPM | \$756.02 |
| 6180-402 | 400STGTB TOP STAGE TRIMMED B 400 GPM | \$688.04 |
| 6180-403 | 400STGMF STANDARD STAGE 400 GPM | \$756.02 |
| 6180-404 | 400STGMB STANDARD STAGE TRIMMED B 400 GPM | \$756.02 |
| 6180-405 | 500MOD0601 BUILD COMPONENTS 500 GPM 6" MOTOR 1 STG | \$312.09 |
| 6180-406 | 500MOD0602 BUILD COMPONENTS 500 GPM 6" MOTOR 2 STG | \$317.24 |
| 6180-413 | 500MOD0811 BUILD COMPONENTS 500 GPM 8" MOTOR 11 STG | \$799.28 |
| 6180-414 | 500MOD0813 BUILD COMPONENTS 500 GPM 8" MOTOR 13 STG | \$891.98 |
| 6180-415 | 500STD0605 STANDARD ASSY 6" MTR 5" DISCHARGE | \$2383.42 |
| 6180-416 | 500STD0605A STANDARD ASSY TRIMMED A 6" MTR 5" DISCHARGE | \$2694.48 |
| 6180-417 | 500STD0605D STANDARD ASSY TRIMMED D 6" MTR 5" DISCHARGE | \$2694.48 |
| 6180-418 | 500STD0805 STANDARD ASSY 8" MTR 5" DISCHARGE | \$2518.35 |
| 6180-419 | 500STGTF TOP STAGE 500 GPM | \$627.27 |
| 6180-420 | 500STGTB TOP STAGE TRIMMED B 500 GPM | \$627.27 |
| 6180-421 | 500STGMF STANDARD STAGE 500 GPM | \$627.27 |
| 6180-422 | 500STGMA STANDARD STAGE TRIMMED A 500 GPM | \$627.27 |
| 6180-423 | 500STGMB STANDARD STAGE TRIMMED B 500 GPM | \$627.27 |
| 6180-424 | 650MOD0601 BUILD COMPONENTS 650 GPM 6" MOTOR 1 STG | \$344.02 |
| 6180-425 | 650MOD0602 BUILD COMPONENTS 650 GPM 6" MOTOR 2 STG | \$545.90 |
| 6180-426 | 650MOD0603 BUILD COMPONENTS 650 GPM 6" MOTOR 3 STG | \$678.77 |
| 6180-427 | 650MOD0804 BUILD COMPONENTS 650 GPM 8" MOTOR 4 STG | \$794.13 |
| 6180-428 | 650MOD0805 BUILD COMPONENTS 650 GPM 8" MOTOR 5 STG | \$924.94 |
| 6180-429 | 650MOD0806 BUILD COMPONENTS 650 GPM 8" MOTOR 6 STG | \$1,069.14 |
| 6180-430 | 650MOD0807 BUILD COMPONENTS 650 GPM 8" MOTOR 7 STG | \$1,199.95 |

Internal assembly component

| Part No. | Description | Price |
|----------|---|------------|
| 6180-431 | 650STD0606A STANDARD ASSY TRIMMED A 6" MTR 6" DISCHARGE | \$3989.19 |
| 6180-432 | 650STD0606 STANDARD ASSY 6" MTR 6" DISCHARGE | \$4681.35 |
| 6180-433 | 650STD0806A STANDARD ASSY TRIMMED A 8" MTR 6" DISCHARGE | \$4615.43 |
| 6180-434 | 650STD0806 STANDARD ASSY 8" MTR 6" DISCHARGE | \$5416.77 |
| 6180-435 | 650STGMF STANDARD STAGE 650 GPM | \$913.61 |
| 6180-436 | 650STGMA STANDARD STAGE TRIMMED A 650 GPM | \$937.3 |
| 6180-437 | 800MOD0601 BUILD COMPONENTS 800 GPM 6" MOTOR 1 STG | \$344.02 |
| 6180-438 | 800MOD0602 BUILD COMPONENTS 800 GPM 6" MOTOR 2 STG | \$487.19 |
| 6180-439 | 800MOD0603 BUILD COMPONENTS 800 GPM 6" MOTOR 3 STG | \$609.76 |
| 6180-440 | 800MOD0803 BUILD COMPONENTS 800 GPM 8" MOTOR 3 STG | \$591.22 |
| 6180-441 | 800MOD0804 BUILD COMPONENTS 800 GPM 8" MOTOR 4 STG | \$712.76 |
| 6180-442 | 800MOD0805 BUILD COMPONENTS 800 GPM 8" MOTOR 5 STG | \$829.15 |
| 6180-443 | 800STD0606A STANDARD ASSY TRIMMED A 6" MTR 6" DISCHARGE | \$4615.43 |
| 6180-444 | 800STD0606 STANDARD ASSY 6" MTR 6" DISCHARGE | \$4615.43 |
| 6180-445 | 800STD0806A STANDARD ASSY TRIMMED A 8" MTR 6" DISCHARGE | \$5572.3 |
| 6180-446 | 800STD0806 STANDARD ASSY 8" MTR 6" DISCHARGE | \$5572.3 |
| 6180-447 | 800STGMF STANDARD STAGE 800 GPM | \$1119.61 |
| 6180-448 | 800STGMA STANDARD STAGE TRIMMED A 800 GPM | \$1119.61 |
| 6180-449 | 1100MOD0601 BUILD COMPONENTS 1100 GPM 6" MOTOR 1 STG | \$674.65 |
| 6180-450 | 1100MOD0602 BUILD COMPONENTS 1100 GPM 6" MOTOR 2 STG | \$857.99 |
| 6180-451 | 1100MOD0802 BUILD COMPONENTS 1100 GPM 8" MOTOR 2 STG | \$856.96 |
| 6180-452 | 1100MOD0803 BUILD COMPONENTS 1100 GPM 8" MOTOR 3 STG | \$1,013.52 |
| 6180-453 | 1100MOD0804 BUILD COMPONENTS 1100 GPM 8" MOTOR 4 STG | \$1,191.71 |
| 6180-454 | 1100MOD1005FE BUILD COMPONENTS 1100 GPM 10" MOTOR 5 STG | \$1,479.08 |
| 6180-455 | 1100MOD1007FE BUILD COMPONENTS 1100 GPM 10" MOTOR 7 STG | \$1,805.59 |
| 6180-456 | 1100STD0606A STANDARD ASSY TRIMMED A 6" MTR 6" DISCHARGE | \$5212.83 |
| 6180-457 | 1100STD0606 STANDARD ASSY 6" MTR 6" DISCHARGE | \$5669.12 |
| 6180-458 | 1100STD0806A STANDARD ASSY TRIMMED A 8" MTR 6" DISCHARGE | \$5877.18 |
| 6180-459 | 1100STD0806 STANDARD ASSY 8" MTR 6" DISCHARGE | \$5877.18 |
| 6180-460 | 1100STD1006FE STANDARD ASSY 10" MTR 6" DISCHARGE -FRANKLIN MTR | \$6110.99 |
| 6180-461 | 1100STD1006AFE STANDARD ASSY TRIMMED A 10" MTR 6" DISCHARGE -FRANKLIN MTR | \$6110.99 |
| 6180-462 | 1100STGMF STANDARD STAGE 1100 GPM | \$1079.44 |
| 6180-463 | 1100STGMA STANDARD STAGE TRIMMED A 1100 GPM | \$1079.44 |
| 6180-468 | 90MOD0628L BUILD COMPONENTS 90 GPM 6" MOTOR 28 STG | \$1,114.46 |
| 6180-469 | 300STDB0404 STANDARD ASSY 4" MTR 4" DISCHARGE W/ BTM STG | \$1360.63 |
| 6180-470 | 400MOD0608 BUILD COMPONENTS 400 GPM 6" MOTOR 8 STG | \$1,085.62 |
| 6180-515 | 400MOD0808 BUILD COMPONENTS 400 GPM 8" MOTOR 8 STG | \$886.83 |
| 6180-516 | 500MOD0807 BUILD COMPONENTS 500 GPM 8" MOTOR 7 STG | \$1,036.18 |
| 6180-517 | 650MOD0803 BUILD COMPONENTS 650 GPM 8" MOTOR 3 STG | \$713.79 |
| 6180-519 | 90MOD0406 BUILD COMPONENTS 90 GPM 4" MOTOR 6 STG | \$526.33 |
| 6180-520 | 800MOD0802 BUILD COMPONENTS 800 GPM 8" MOTOR 2 STG | \$486.16 |
| 6180-545 | 150MOD0402 BUILD COMPONENTS 150 GPM 4" MOTOR 2 STG | \$440.84 |
| 6180-546 | 150STGBA BOTTOM STAGE TRIMMED A 150 GPM | \$413.03 |

| Part No. | Description | Price |
|----------|---|-----------|
| 6323-101 | 1575SWP HORZ MULTI-STG 3/4HP PL 1PH | \$2660.49 |
| 6326-101 | 1510XSWP HORZ MULTI-STG L/PS 1HP PL 1PH | \$2668.73 |
| 6327-101 | 1515XSWP HORZ MULTI-STG L/PS 1 1/2HP PL 1PH | \$2990.09 |
| 6327-103 | 1515XSWP3 HORZ MULTI-STG L/PS PL 3PH | \$2990.09 |
| 6331-101 | 1575XSWP HORZ MULTI-STG L/PS 3/4HP PL 1PH | \$2477.15 |

Internal hardware — do not publish

| Part No. | Description | Model No. | Volt | HP | Price |
|----------|---|---|------|-----|-------------|
| 3100-526 | CAPSCREW 1/2-13 X 1 1/4 PLAIN | CAPSCREW 1/2-13 X 1 1/4 PLAIN | | | \$2.04 |
| 3104-124 | NUT JAM 1/2-20UNF STAIN STEEL | NUT JAM 1/2-20UNF STAIN STEEL | | | \$2.04 |
| 3108-101 | JAM NUT - 7/16-20 S.S. | JAM NUT - 7/16-20 S.S. | | | \$1.96 |
| 3108-111 | HEX NUT 5/16-24 NF STN. STL. | HEX NUT 5/16-24 NF STN. STL. | | | \$0.82 |
| 3119-102 | PUMP WASHER STEEL | PUMP WASHER STEEL | | | \$0.36 |
| 3120-110 | LOCKWASHER-5/16 STAINLESS STL | LOCKWASHER-5/16 | | | \$0.41 |
| 3126-123 | PIPE PLUG 1/2 MNPT SQR HEAD ZINC W/ VIBRASEAL | PIPE PLUG 1/2 MNPT SQR HEAD ZINC W/ VIBRASEAL | | | \$1.78 |
| 3126-614 | BUSHING-REDUC-1X1/4NPT-COATED | BUSHING-REDUC-1X1/4NPT-COATED | | | \$17.51 |
| 3126-782 | STREET TEE-1 IN | STREET TEE-1 IN | | | \$58.71 |
| 3129-605 | RTRY SEAL-3/4"PAC-SEAL 3W21-1 | RTRY SEAL-3/4"PAC-SEAL 3W21-1 | | | \$41.20 |
| 3132-010 | SUBMERSIBLE MOTOR SHAFT HEIGHT GAUGE - 4" AND 6" | SUBMERSIBLE MOTOR SHAFT HEIGHT GAUGE - 4" AND 6" | | | \$60.77 |
| 3132-501 | SUB MOTOR 4" 1/2 HP 115V 2W 1PH | SUB MOTOR 4" 1/2 HP 115V 2W 1PH | 115 | 1/2 | \$1.06 |
| 3132-564 | SM0633 30HP460V SUB MOTOR 6" 30 HP 460V 3W 3PH | SM0633 | 460 | 30 | \$8,708.65 |
| 3132-565 | SM0633 40HP460V SUB MOTOR 6" 40 HP 460V 3W 3PH | SM0633 | 460 | 40 | \$10,364.89 |
| 3132-566 | SM0633 50HP460V SUB MOTOR 6" 50 HP 460V 3W 3PH | SM0633 | 460 | 50 | \$12,651.49 |
| 3132-567 | SM0633 60HP460V SUB MOTOR 6" 60 HP 460V 3W 3PH | SM0633 | 460 | 60 | \$15,061.69 |
| 3134-235 | O-RING GAS 70D NITRILE LOW TEMP | O-RING GAS 70D NITRILE LOW TEMP | | | \$2.04 |
| 3134-236 | O-RING GAS 70D NITRILE LOW TEMP | O-RING GAS 70D NITRILE LOW TEMP | | | \$2.04 |

Jet Pumps

| Part No. | Description | HP | Price |
|----------|--|-----|------------|
| 5999-004 | 7903JPL JET PKG 1HP 2 PIPE DW 80/120 FT | 1 | \$332.69 |
| 5999-020 | 7125MPL JET PKG 3/4HP 1 PIPE DW 30/70 FT | 3/4 | \$450.11 |
| 5999-021 | 7127MPL JET PKG 3/4HP 1 PIPE DW 90/150 FT | 3/4 | \$450.11 |
| 5999-022 | 7128MPL JET PKG 1HP 1 PIPE DW 30/80FT | 1 | \$450.11 |
| 5999-023 | 7130MPL JET PKG 1HP 1 PIPE DW 100/150 FT | 1 | \$450.11 |
| 5999-027 | 7109MPL JET PKG 3/4HP 2 PIPE DW 30/70 FT | 3/4 | \$369.77 |
| 5999-028 | 7111MPL JET PKG 3/4HP 2 PIPE DW 90/150 FT | 3/4 | \$369.77 |
| 5999-029 | 7114MPL JET PKG 1HP 2 PIPE DW 100/160 FT | 1 | \$369.77 |
| 5999-031 | 7129MPL JET PKG 1HP 1 PIPE DW 60/120 FT | 1 | \$450.11 |
| 5999-033 | 7113MPL JET PKG 1HP 2 PIPE DW 60/120 FT | 1 | \$368.74 |
| 5999-035 | 7112MPL JET PKG 1HP 2 PIPE DW 30/80 FT | 1 | \$368.74 |
| 5999-041 | 7509JPL JET PKG 1/2HP 2 PIPE DW 40/80 FT | 1/2 | \$300.76 |
| 5999-042 | 7502JP JET PKG 1/3HP 2 PIPE DW 30/50 FT | 1/3 | \$320.33 |
| 5999-043 | 7503JP JET PKG 1/3HP 2 PIPE DW 40/70 FT | 1/3 | \$320.33 |
| 5999-044 | 7502JPL JET PKG 1/3HP 2 PIPE DW 30/50 FT | 1/3 | \$289.43 |
| 5999-045 | 7503JPL JET PKG 1/3HP 2 PIPE DW 40/70 FT | 1/3 | \$289.43 |
| 5999-046 | 7508JPL JET PKG 1/2HP 2 PIPE DW 30/50 FT | 1/2 | \$289.43 |
| 5999-048 | 7901JPL JET PKG 3/4&1HP 2 PIPE DW 30/50 FT | 1 | \$289.43 |
| 5999-049 | 7902JPL JET PKG 1HP 2 PIPE DW 50/80 FT | 1 | \$289.43 |
| 5999-050 | 7906JPL JET PKG 3/4HP 2 PIPE DW 50/80 FT | 3/4 | \$289.43 |
| 5999-051 | 7907JPL JET PKG 3/4HP 2 PIPE DW 80/100 FT | 3/4 | \$289.43 |
| 5999-054 | 7733JP JET PKG 1/3HP 1 PIPE DW 30/50 FT | 1/3 | \$412.00 |
| 5999-055 | 7734JP JET PKG 1/3HP 1 PIPE DW 40/70 FT | 1/3 | \$412.00 |
| 5999-058 | 7733JPL JET PKG 1/3HP 1 PIPE DW 30/50 FT | 1/3 | \$361.53 |
| 5999-059 | 7734JPL JET PKG 1/3HP 1 PIPE DW 40/70 FT | 1/3 | \$361.53 |
| 5999-060 | 7735JPL JET PKG 1/2HP 1 PIPE DW 30/50 FT | 1/2 | \$361.53 |
| 5999-061 | 7736JPL JET PKG 1/2HP 1 PIPE DW 40/70 FT | 1/2 | \$361.53 |
| 5999-066 | 7808JPL JET PKG 3/4&1HP 1 PIPE DW 30/50 FT | 1 | \$357.41 |
| 5999-067 | 7809JPL JET PKG 1HP 1 PIPE DW 50/80 FT | 1 | \$357.41 |
| 5999-068 | 7810JPL JET PKG 1HP 1 PIPE DW 80/120 FT | 1 | \$357.41 |
| 5999-069 | 7812JPL JET PKG 3/4HP 1 PIPE DW50/80 FT | 3/4 | \$357.41 |
| 5999-070 | 7813JPL JET PKG 3/4HP 1 PIPE DW 80/100 FT | 3/4 | \$357.41 |
| 5999-073 | 7126MPL JET PKG 3/4HP 1 PIPE DW 60/110 FT | 3/4 | \$454.23 |
| 5999-119 | 7902/3JP JET PACKAGE 1HP 2 PIPE DW 50/120 FT | 1 | \$345.05 |
| 6164-000 | 8530 SQ SW JET PUMP 1/3HP NORYL | 1/3 | \$8.28 |
| 6165-011 | 8611SW CONV JET PUMP 1 HP BRASS | 1 | \$1,530.58 |
| 6165-014 | 8651SW SQ CONV JET PUMP 1/2HP BRASS | 1/2 | \$1,194.80 |
| 6423-104 | 654JP JET PKG 1/3HP H PRESURE SW | 1/3 | \$221.45 |

Parts lookup / Service catalog

| Part No. | Model No. | Description | Volt | HP | Price |
|----------|-------------------|---|------|-----|------------|
| 6012-400 | 17REPVFD-2311S | 17REPVFD-2311S VFD REP DRIVE iQ1000 3HP 1PH 230V SIMPLEX | 230 | 3 | \$8,564.45 |
| 6012-401 | 17REPVFD-2511S | 17REPVFD-2511S VFD REP DRIVE iQ1000 5HP 1PH 230V SIMPLEX | 230 | 5 | \$9,333.86 |
| 6012-402 | 17REPVFD-2331S | 17REPVFD-2331S VFD REP DRIVE iQ1000 3HP 3PH 230V SIMPLEX | 230 | 3 | \$7,302.70 |
| 6012-403 | 17REPVFD-2531S | 17REPVFD-2531S VFD REP DRIVE iQ1000 5HP 3PH 230V SIMPLEX | 230 | 5 | \$8,564.45 |
| 6012-404 | 17REPVFD-27.531S | 17REPVFD-27.531S VFD REP DRIVE iQ1000 7.5HP 3PH 230V SIMPLEX | 230 | 7.5 | \$8,949.67 |
| 6012-405 | 17REPVFD-27.531H | 17REPVFD-27.531H VFD REP DRIVE iQ1000 7.5HP 3PH 230V SIMPLEX HIGH PRESSURE | 230 | 7.5 | \$8,949.67 |
| 6012-406 | 17REPVFD-21031S | 17REPVFD-21031S VFD REP DRIVE iQ1000 10HP 3PH 230V SIMPLEX | 230 | 10 | \$9,333.86 |
| 6012-407 | 17REPVFD-4331S | 17REPVFD-4331S VFD REP DRIVE iQ1000 3HP 3PH 460V SIMPLEX | 460 | 3 | \$8,052.54 |
| 6012-408 | 17REPVFD-4531S | 17REPVFD-4531S VFD REP DRIVE iQ1000 5HP 3PH 460V SIMPLEX | 460 | 5 | \$8,052.54 |
| 6012-409 | 17REPVFD-47.531S | 17REPVFD-47.531S VFD REP DRIVE iQ1000 7.5HP 3PH 460V SIMPLEX | 460 | 7.5 | \$9,259.70 |
| 6012-410 | 17REPVFD-47.531H | 17REPVFD-47.531H VFD REP DRIVE iQ1000 7.5HP 3PH 460V SIMPLEX HIGH PRESSURE | 460 | 7.5 | \$9,259.70 |
| 6012-411 | 17REPVFD-41031S | 17REPVFD-41031S VFD REP DRIVE iQ1000 10HP 3PH 460V SIMPLEX | 460 | 10 | \$8,986.75 |
| 6012-412 | 17REPVFD-47.531SS | 17REPVFD-47.531SS VFD REP DRIVE iQ1000 7.5HP 3PH 460V SIMPLEX SPECIAL | 460 | 7.5 | \$9,259.70 |
| 6012-413 | 17REPVFD-2312S | 17REPVFD-2312S VFD REP DRIVE iQ1000 3HP 1PH 230V DUPLEX | 230 | 3 | \$8,564.45 |
| 6012-414 | 17REPVFD-2512S | 17REPVFD-2512S VFD REP DRIVE iQ1000 5HP 1PH 230V DUPLEX | 230 | 5 | \$9,333.86 |
| 6012-415 | 17REPVFD-2332S | 17REPVFD-2332S VFD REP DRIVE iQ1000 3HP 3PH 230V DUPLEX | 230 | 3 | \$7,302.70 |
| 6012-416 | 17REPVFD-2532S | 17REPVFD-2532S VFD REP DRIVE iQ1000 5HP 3PH 230V DUPLEX | 230 | 5 | \$8,564.45 |
| 6012-417 | 17REPVFD-27.532S | 17REPVFD-27.532S VFD REP DRIVE iQ1000 7.5HP 3PH 230V DUPLEX | 230 | 7.5 | \$8,949.67 |
| 6012-418 | 17REPVFD-27.532H | 17REPVFD-27.532H VFD REP DRIVE iQ1000 7.5HP 3PH 230V DUPLEX HIGH PRESSURE | 230 | 7.5 | \$8,949.67 |
| 6012-419 | 17REPVFD-21032S | 17REPVFD-21032S VFD REP DRIVE iQ1000 10HP 3PH 230V DUPLEX | 230 | 10 | \$9,333.86 |
| 6012-420 | 17REPVFD-4332S | 17REPVFD-4332S VFD REP DRIVE iQ1000 3HP 3PH 460V DUPLEX | 460 | 3 | \$8,052.54 |
| 6012-421 | 17REPVFD-4532S | 17REPVFD-4532S VFD REP DRIVE iQ1000 5HP 3PH 460V DUPLEX | 460 | 5 | \$8,052.54 |
| 6012-422 | 17REPVFD-47.532S | 17REPVFD-47.532S VFD REP DRIVE iQ1000 7.5HP 3PH 460V DUPLEX | 460 | 7.5 | \$9,259.70 |
| 6012-423 | 17REPVFD-47.532H | 17REPVFD-47.532H VFD REP DRIVE iQ1000 7.5HP 3PH 460V DUPLEX HIGH PRESSURE | 460 | 7.5 | \$9,259.70 |
| 6012-424 | 17REPVFD-41032S | 17REPVFD-41032S VFD REP DRIVE iQ1000 10HP 3PH 460V DUPLEX | 460 | 10 | \$8,986.75 |
| 6012-425 | 17REPVFD-2333S | 17REPVFD-2333S VFD REP DRIVE iQ1000 3HP 3PH 230V TRIPLEX | 230 | 3 | \$7,302.70 |
| 6012-426 | 17REPVFD-2533S | 17REPVFD-2533S VFD REP DRIVE iQ1000 5HP 3PH 230V TRIPLEX | 230 | 5 | \$8,564.45 |
| 6012-427 | 17REPVFD-27.533S | 17REPVFD-27.533S VFD REP DRIVE iQ1000 7.5 HP 3PH 230V TRIPLEX | 230 | 7.5 | \$8,949.67 |
| 6012-428 | 17REPVFD-21033S | 17REPVFD-21033S VFD REP DRIVE iQ1000 10HP 3PH 230V TRIPLEX | 230 | 10 | \$9,333.86 |
| 6012-429 | 17REPVFD-4333S | 17REPVFD-4333S VFD REP DRIVE iQ1000 3HP 3PH 460V TRIPLEX | 460 | 3 | \$8,052.54 |
| 6012-430 | 17REPVFD-4533S | 17REPVFD-4533S VFD REP DRIVE iQ1000 5HP 3PH 460V TRIPLEX | 460 | 5 | \$8,052.54 |
| 6012-431 | 17REPVFD-47.533S | 17REPVFD-47.533S VFD REP DRIVE iQ1000 7.5HP 3PH 460V TRIPLEX | 460 | 7.5 | \$9,259.70 |
| 6012-432 | 17REPVFD-41033S | 17REPVFD-41033S VFD REP DRIVE iQ1000 10HP 3PH 460V TRIPLEX | 460 | 10 | \$8,986.75 |
| 6012-433 | 17REPVFD-27.533H | 17REPVFD-27.533H VFD REP DRIVE iQ1000 7.5HP 3PH 230V TRIPLEX HIGH PRESSURE | 230 | 7.5 | \$8,949.67 |
| 6012-434 | 17REPVFD-47.533H | 17REPVFD-47.533H VFD REP DRIVE iQ1000 7.5HP 3PH 460V TRIPLEX HIGH PRESSURE | 460 | 7.5 | \$9,259.70 |
| 6012-435 | 17REPVFDM21.511S | 17REPVFDM21.511S VFD REP DRIVE MICRO 1.5HP 1PH 230V SIMPLEX | 230 | 1.5 | \$4,161.20 |
| 6012-436 | 17REPVFDM21.531S | 17REPVFDM21.531S VFD REP DRIVE MICRO 1.5HP 3PH 230V SIMPLEX | 230 | 1.5 | \$3,623.54 |
| 6012-437 | 17REPVFDM2211S | 17REPVFDM2211S VFD REP DRIVE MICRO 2HP 1PH 230V SIMPLEX | 230 | 2 | \$4,435.18 |

Parts lookup / Service catalog

| Part No. | Model No. | Description | Volt | HP | Price |
|----------|---|---|------|-------|------------|
| 6012-438 | 17REPVFDM2231S | 17REPVFDM2231S VFD REP DRIVE MICRO 2HP 3PH 230V SIMPLEX | 230 | 2 | \$3,971.68 |
| 6012-439 | 17REPVFDM2311S | 17REPVFDM2311S VFD REP DRIVE MICRO 3HP 1PH 230V SIMPLEX | 230 | 3 | \$4,435.18 |
| 6012-440 | 17REPVFDM2331S | 17REPVFDM2331S VFD REP DRIVE MICRO 3HP 3PH 230V SIMPLEX | 230 | 3 | \$4,382.65 |
| 6012-441 | 17REPVFDM21.512S | 17REPVFDM21.512S VFD REP DRIVE MICRO 1.5HP 1PH 230V DUPLEX | 230 | 1.5 | \$4,161.20 |
| 6012-442 | 17REPVFDM21.532S | 17REPVFDM21.532S VFD REP DRIVE MICRO 1.5HP 3PH 230V DUPLEX | 230 | 1.5 | \$3,623.54 |
| 6012-443 | 17REPVFDM2212S | 17REPVFDM2212S VFD REP DRIVE MICRO 2HP 1PH 230V DUPLEX | 230 | 2 | \$4,435.18 |
| 6012-444 | 17REPVFDM2232S | 17REPVFDM2232S VFD REP DRIVE MICRO 2HP 3PH 230V DUPLEX | 230 | 2 | \$3,971.68 |
| 6012-445 | 17REPVFDM2312S | 17REPVFDM2312S VFD REP DRIVE MICRO 3HP 1PH 230V DUPLEX | 230 | 3 | \$4,435.18 |
| 6012-446 | 17REPVFDM2332S | 17REPVFDM2332S VFD REP DRIVE MICRO 3HP 3PH 230V DUPLEX | 230 | 3 | \$4,382.65 |
| 6012-447 | 17REPVFD-2313S | 17REPVFD-2313S VFD REP DRIVE IQ1000 3HP 1PH 230V TRIPLEX | 230 | 3 | \$8,564.45 |
| 6012-448 | 17REPVFD-2513S | 17REPVFD-2513S VFD REP DRIVE IQ1000 5HP 1PH 230V TRIPLEX | 230 | 5 | \$9,333.86 |
| 6012-529 | MECH SEAL CARTR VPS10 SIC/ CARBON/EPDM | MECH SEAL CARTR VPS10 SIC/CARBON/EPDM | | | \$383.16 |
| 6127-324 | 8130RKID | 8130RKID IMP/DIFF REPAIR KIT 1/3HP 8230-8130HP-8530-8630-8530HP | | 1/3 | \$136.99 |
| 6127-335 | 1500DCRK | 1500DCRK DIFFUSER COVER REP KIT | | | \$309.00 |
| 6156-190 | 8000D2JB | 8000D2JB DEEP WELL PACKER SYSTEM JET BODY REPAIR KIT 1/2HP 3/4HP 1HP | | 1/2 | \$444.96 |
| 6156-192 | 8000D4JB | 8000D4JB DEEP WELL TWO-PIPE SYSTEM JET BODY REPAIR KITS 1/2HP 3/4HP 1HP | | 1/2 | \$216.30 |
| 6156-193 | 8001D4JB | 8001D4JB DEEP WELL TWO-PIPE SYSTEM JET BODY REPAIR KITS 1 1/2HP | | 1 1/2 | \$452.17 |
| 6156-199 | 8050SC | 8050SC START CAPACITOR - REPAIR PART - 8050-8070-8350-8350HP-8370 | | 8350 | \$23.69 |
| 6156-200 | 8050RC | 8050RC RUN CAPACITOR - REPAIR PART - 8050-8050HP | | 8050 | \$36.05 |
| 6156-201 | 8070RC | 8070RC RUN CAPACITOR - REPAIR PART - 8070-8370-8350-8350HP | | 8350 | \$42.23 |
| 6156-202 | 8010RC | 8010RC RUN CAPACITOR - REPAIR PART - 8010-8015-8310-8315-89100-89150 | | | \$43.26 |
| 6156-203 | 89200RC | 89200RC RUN CAPACITOR - REPAIR PART - 89200 | | | \$42.23 |
| 6190-178 | 5000LDGKT | 5000LDGKT LID GASKET AKSF16101 | | | \$92.70 |
| 6190-179 | 5000SDGSKT | 5000SDGSKT SIDE DISCHARGE GASKET 4 99302 | | | \$105.06 |
| 6195-182 | 303022HK | 303022HK HANDLE UPDATE KIT 475-238-000 | | | \$87.55 |
| 6316-212 | SHAFT EXTENSION-MULTISTAGE JET | SHAFT EXTENSION-MULTISTAGE JET | | | \$184.37 |
| 6411-201 | CUP LEATHER | CUP LEATHER | | | \$33.99 |
| 6421-216 | VENTURI-.312 | VENTURI-.312 DIA. | | | \$33.99 |
| 6450-110 | 106 | 106 2 CASING ADAPTER-VERT | | | \$529.42 |
| 6621-226 | SHIM-SUB PUMP .015 THICK | SHIM-SUB PUMP .015 THICK | | | \$2.04 |
| 6621-595 | SNAP RING - PUMP SHAFT .4 I.D. | SNAP RING - PUMP SHAFT .4 I.D. | | | \$2.04 |
| 6621-641 | BUSHING-INTERM BEARING-SS-IMPG | BUSHING-INTERM BEARING-SS-IMPG | | | \$5.17 |
| 6621-646 | DIFFUSER PLATE-J V K SERIES | DIFFUSER PLATE-J V K SERIES | | | \$2.15 |
| 6621-666 | INTER BEARING SUB ASSY-3.07K | INTER BEARING SUB ASSY-3.07K | | | \$59.74 |
| 6621-676 | DIFFUSER PLATE-L P M SERIES | DIFFUSER PLATE-L P M SERIES | | | \$3.94 |
| 6621-681 | IMPELLER-L SERIES 15 GPM | IMPELLER-L SERIES 15 GPM | | | \$15.45 |
| 6621-682 | IMPELLER-P SERIES 20 GPM | IMPELLER-P SERIES 20 GPM | | | \$16.48 |
| 6621-683 | IMPELLER-M SERIES 25 GPM | IMPELLER-M SERIES 25 GPM | | | \$16.48 |

Parts lookup / Service catalog

| Part No. | Model No. | Description | Volt | HP | Price |
|----------|---|---|------|----|---------|
| 6621-687 | INTER BEARING SUB ASSY-L P M | INTER BEARING SUB ASSY-L P M | | | \$24.72 |
| 6621-688 | DIFFUSER SUB-ASSY-10 GPM K-SER | DIFFUSER SUB-ASSY-10 GPM K-SER | | | \$6.64 |
| 6621-689 | DIFFUSER-SUB-ASSY-15 | DIFFUSER-SUB-ASSY-15 20 25 GPM | | | \$14.42 |
| 6621-756 | TOP BEARING ASSY-J K V L M & P | TOP BEARING ASSY-J K V L M & P | | | \$16.48 |
| 6621-764 | IMPELLER-10 | IMPELLER-10 GPM K-SERIES 3.07 | | | \$6.64 |
| 6621-836 | DIFFUSER-SUB-ASSY J-V SERIES | DIFFUSER-SUB-ASSY J-V SERIES | | | \$7.99 |
| 6621-837 | IMPELLER-V SERIES 7 GPM | IMPELLER-V SERIES 7 GPM | | | \$15.45 |
| 6621-912 | IMPELLER - J SERIES 5 GPM | IMPELLER - J SERIES 5 GPM | | | \$14.42 |
| 6635-228 | NUT & LOCKWASH SUB-ASSY | NUT & LOCKWASH SUB-ASSY | | | \$6.05 |
| 6903-357 | SHAFT EXTENSION - .80 THREAD BOOSTER PUMP | SHAFT EXTENSION - .80 THREAD BOOSTER PUMP | | | \$43.26 |

Submersible Well Pumps

| Part No. | Model No. | HP | Volt | Description | Price |
|----------|--------------------------------|-------|------|--|------------|
| 6621-761 | INTAKE SCR-N-SUB PUMP-BRASS/SS | | | INTAKE SCR-N-SUB PUMP-BRASS/SS | \$4.07 |
| 6627-153 | 21050J3ALB | 1/2 | 115 | 21050J3ALB BR SUB PUMP L/CONT BOX 5 GPM 1/2 HP 115V 3W | \$2,001.29 |
| 6627-155 | 21050J3LB | 1/2 | 230 | 21050J3LB BR SUB PUMP L/CONT BOX 5 GPM 1/2 HP 230V 3W | \$2,001.29 |
| 6627-156 | 21075J3LB | 3/4 | 230 | 21075J3LB BR SUB PUMP L/CONT BOX 5 GPM 3/4 HP 230V 3W | \$2,537.92 |
| 6627-157 | 21100J3LB | 1 | 230 | 21100J3LB BR SUB PUMP L/CONT BOX 5 GPM 1 HP 230V 3W | \$2,910.78 |
| 6627-158 | 21150J3LB | 1 1/2 | 230 | 21150J3LB BR SUB PUMP L/CONT BOX 5 GPM 1 1/2 HP 230V 3W | \$3,282.61 |
| 6627-161 | 21150J3ZLS | 1 1/2 | 230 | 21150J3ZLS BR SUB PUMP L/STR KIT 5 GPM 1 1/2 HP 230V 3W 3P | \$3,691.52 |
| 6628-162 | 21200M3ZLS | 2 | 230 | 21200M3ZLS BR SUB PUMP L/STR KIT 25 GPM 2 HP 230V 3W 3P | \$3,530.84 |
| 6628-163 | 21300M3ZLS | 3 | 230 | 21300M3ZLS BR SUB PUMP L/STR KIT 25 GPM 3 HP 230V 3W 3P | \$5,232.40 |
| 6629-162 | 21200P3ZLS | 2 | 230 | 21200P3ZLS BR SUB PUMP L/STR KIT 20 GPM 2 HP 230V 3W 3P | \$3,728.60 |
| 6629-163 | 21300P3ZLS | 3 | 230 | 21300P3ZLS BR SUB PUMP L/STR KIT 20 GPM 3 HP 230V 3W 3P | \$4,915.16 |
| 6633-011 | 21050V3ALB | 1/2 | 115 | 21050V3ALB BR SUB PUMP L/CONT BOX 7 GPM 1/2 HP 115V 3W | \$1,711.86 |
| 6633-013 | 21050V3LB | 1/2 | 230 | 21050V3LB BR SUB PUMP L/CONT BOX 7 GPM 1/2 HP 230V 3W | \$1,711.86 |
| 6633-016 | 21075V3LB | 3/4 | 230 | 21075V3LB BR SUB PUMP L/CONT BOX 7 GPM 3/4 HP 230V 3W | \$2,308.23 |
| 6633-021 | 21100V3LB | 1 | 230 | 21100V3LB BR SUB PUMP L/CONT BOX 7 GPM 1 HP 230V 3W | \$2,622.38 |
| 6633-025 | 21150V3LB | 1 1/2 | 230 | 21150V3LB BR SUB PUMP L/CONT BOX 7 GPM 1 1/2 HP 230V 3W | \$3,014.81 |
| 6633-028 | 21200V3LB | 2 | 230 | 21200V3LB BR SUB PUMP L/CONT BOX 7 GPM 2 HP 230V 3W | \$4,180.77 |
| 6650-012 | 21050K3ALB | 1/2 | 115 | 21050K3ALB BR SUB PUMP L/CONT BOX 10 GPM 1/2 HP 115V 3W | \$1,589.29 |
| 6650-013 | 21050K3LB | 1/2 | 230 | 21050K3LB BR SUB PUMP L/CONT BOX 10 GPM 1/2 HP 230V 3W | \$1,589.29 |
| 6650-017 | 21075K3LB | 3/4 | 230 | 21075K3LB BR SUB PUMP L/CONT BOX 10 GPM 3/4 HP 230V 3W | \$1,977.60 |
| 6650-021 | 21100K3LB | 1 | 230 | 21100K3LB BR SUB PUMP L/CONT BOX 10 GPM 1 HP 230V 3W | \$2,105.32 |
| 6650-025 | 21150K3LB | 1 1/2 | 230 | 21150K3LB BR SUB PUMP L/CONT BOX 10 GPM 1 1/2 HP 230V 3W | \$2,830.44 |
| 6650-028 | 21200K3LB | 2 | 230 | 21200K3LB BR SUB PUMP L/CONT BOX 10 GPM 2 HP 230V 3W | \$3,864.56 |
| 6650-031 | 21300K3LB | 3 | 230 | 21300K3LB BR SUB PUMP L/CONT BOX 10 GPM 3 HP 230V 3W | \$5,612.47 |
| 6650-080 | 21050L3ALB | 1/2 | 115 | 21050L3ALB BR SUB PUMP L/CONT BOX 15 GPM 1/2 HP 115V 3W | \$2,048.67 |
| 6650-081 | 21050L3LB | 1/2 | 230 | 21050L3LB BR SUB PUMP L/CONT BOX 15 GPM 1/2 HP 230V 3W | \$2,048.67 |
| 6650-085 | 21075L3LB | 3/4 | 230 | 21075L3LB BR SUB PUMP L/CONT BOX 15 GPM 3/4 HP 230V 3W | \$2,323.68 |
| 6650-089 | 21100L3LB | 1 | 230 | 21100L3LB BR SUB PUMP L/CONT BOX 15 GPM 1 HP 230V 3W | \$2,447.28 |
| 6650-093 | 21150L3LB | 1 1/2 | 230 | 21150L3LB BR SUB PUMP L/CONT BOX 15 GPM 1 1/2 HP 230V 3W | \$2,671.82 |
| 6650-096 | 21200L3LB | 2 | 230 | 21200L3LB BR SUB PUMP L/CONT BOX 15 GPM 2 HP 230V 3W | \$2,978.76 |
| 6650-099 | 21300L3LB | 3 | 230 | 21300L3LB BR SUB PUMP L/CONT BOX 15 GPM 3 HP 230V 3W | \$4,465.05 |
| 6650-106 | 21050P3ALB | 1/2 | 115 | 21050P3ALB BR SUB PUMP L/CONT BOX 20 GPM 1/2 HP 115V 3W | \$2,016.74 |
| 6650-107 | 21050P3LB | 1/2 | 230 | 21050P3LB BR SUB PUMP L/CONT BOX 20 GPM 1/2 HP 230V 3W | \$2,016.74 |
| 6650-111 | 21075P3LB | 3/4 | 230 | 21075P3LB BR SUB PUMP L/CONT BOX 20 GPM 3/4 HP 230V 3W | \$2,255.70 |
| 6650-115 | 21100P3LB | 1 | 230 | 21100P3LB BR SUB PUMP L/CONT BOX 20 GPM 1 HP 230V 3W | \$2,344.28 |
| 6650-119 | 21150P3LB | 1 1/2 | 230 | 21150P3LB BR SUB PUMP L/CONT BOX 20 GPM 1 1/2 HP 230V 3W | \$2,516.29 |
| 6650-122 | 21200P3LB | 2 | 230 | 21200P3LB BR SUB PUMP L/CONT BOX 20 GPM 2 HP 230V 3W | \$3,550.41 |
| 6650-125 | 21300P3LB | 3 | 230 | 21300P3LB BR SUB PUMP L/CONT BOX 20 GPM 3 HP 230V 3W | \$5,087.17 |
| 6650-128 | 21500P3LB | 5 | 230 | 21500P3LB BR SUB PUMP L/CONT BOX 20 GPM 5 HP 230V 3W | \$6,232.53 |
| 6650-129 | 21500P3Y | 5 | 460 | 21500P3Y BR SUB PUMP W/STR KIT 20 GPM 5 HP 460V 3W 3P | \$7,959.84 |
| 6650-131 | 21500P3ZLS | 5 | 230 | 21500P3ZLS BR SUB PUMP L/STR KIT 20 GPM 5 HP 230V 3W 3P | \$6,888.64 |
| 6650-138 | 21050M3ALB | 1/2 | 115 | 21050M3ALB BR SUB PUMP L/CONT BOX 25 GPM 1/2 HP 115V 3W | \$1,782.93 |
| 6650-139 | 21050M3LB | 1/2 | 230 | 21050M3LB BR SUB PUMP L/CONT BOX 25 GPM 1/2 HP 230V 3W | \$1,782.93 |
| 6650-143 | 21075M3LB | 3/4 | 230 | 21075M3LB BR SUB PUMP L/CONT BOX 25 GPM 3/4 HP 230V 3W | \$2,115.62 |
| 6650-147 | 21100M3LB | 1 | 230 | 21100M3LB BR SUB PUMP L/CONT BOX 25 GPM 1 HP 230V 3W | \$2,175.36 |
| 6650-151 | 21150M3LB | 1 1/2 | 230 | 21150M3LB BR SUB PUMP L/CONT BOX 25 GPM 1 1/2 HP 230V 3W | \$2,785.12 |
| 6650-154 | 21200M3LB | 2 | 230 | 21200M3LB BR SUB PUMP L/CONT BOX 25 GPM 2 HP 230V 3W | \$3,346.47 |
| 6650-157 | 21300M3LB | 3 | 230 | 21300M3LB BR SUB PUMP L/CONT BOX 25 GPM 3 HP 230V 3W | \$4,936.79 |
| 6650-160 | 21500M3LB | 5 | 230 | 21500M3LB BR SUB PUMP L/CONT BOX 25 GPM 5 HP 230V 3W | \$5,975.03 |

Submersible Well Pumps

| Part No. | Model No. | HP | Volt | Description | Price |
|----------|--------------------------------|-------|------|---|------------|
| 6650-163 | INTAKE SCR-N-SUB PUMP-BRASS/SS | 5 | 230 | 21150M3ZLS BR SUB PUMP L/STR KIT 25 GPM 1 1/2 HP 230V 3W 3P | \$6,632.17 |
| 6650-266 | 21050J3ALB | 1 1/2 | 230 | 21500L3LB BR SUB PUMP L/CONT BOX 15 GPM 5 HP 230V 3W | \$2,965.37 |
| 6650-271 | 21050J3LB | 1 1/2 | 230 | INTAKE SCR-N-SUB PUMP BLK-22000 | \$3,353.68 |
| 6650-272 | 21075J3LB | 2 | 230 | 25075J3LB PL SUB PUMP L/CONT BOX 5 GPM 3/4 HP 230V 3W | \$4,043.78 |
| 6650-273 | 21100J3LB | 3 | 230 | 25050J3LB PL SUB PUMP L/CONT BOX 5 GPM 1/2 HP 230V 3W | \$5,432.22 |
| 6650-274 | 21150J3LB | 3 | 230 | 25100V3LB PL SUB PUMP L/CONT BOX 7 GPM 1 HP 230V 3W | \$4,393.98 |
| 6650-275 | 21150J3ZLS | 5 | 230 | 25075V3LB PL SUB PUMP L/CONT BOX 7 GPM 3/4 HP 230V 3W | \$7,524.15 |
| 6650-276 | 21200M3ZLS | 1 1/2 | 230 | 25050V3LB PL SUB PUMP L/CONT BOX 7 GPM 1/2 HP 230V 3W | \$3,083.82 |
| 6650-305 | 21300M3ZLS | 5 | 230 | 25150K3LB PL SUB PUMP L/CONT BOX 10 GPM 1 1/2 HP 230V 3W | \$7,913.49 |
| 6621-754 | 21200P3ZLS | | | 25100K3LB PL SUB PUMP L/CONT BOX 10 GPM 1 HP 230V 3W | \$5.22 |
| 6630-480 | 21300P3ZLS | 3/4 | 230 | 25075K3LB PL SUB PUMP L/CONT BOX 10 GPM 3/4 HP 230V 3W | \$1,560.45 |
| 6630-481 | 21050V3ALB | 1/2 | 230 | 25050K3LB PL SUB PUMP L/CONT BOX 10 GPM 1/2 HP 230V 3W | \$1,278.23 |
| 6630-482 | 21050V3LB | 1 | 230 | 25150L3LB PL SUB PUMP L/CONT BOX 15 GPM 1 1/2 HP 230V 3W | \$1,665.51 |
| 6630-483 | 21075V3LB | 3/4 | 230 | 25100L3LB PL SUB PUMP L/CONT BOX 15 GPM 1 HP 230V 3W | \$1,451.27 |
| 6630-484 | 21100V3LB | 1/2 | 230 | 25075L3LB PL SUB PUMP L/CONT BOX 15 GPM 3/4 HP 230V 3W | \$1,139.18 |
| 6630-485 | 21150V3LB | 1 1/2 | 230 | 25050L3LB PL SUB PUMP L/CONT BOX 15 GPM 1/2 HP 230V 3W | \$1,818.98 |
| 6630-486 | 21200V3LB | 1 | 230 | 25200P3LB PL SUB PUMP L/CONT BOX 20 GPM 2 HP 230V 3W | \$1,431.70 |
| 6630-487 | 21050K3ALB | 3/4 | 230 | 25150P3LB PL SUB PUMP L/CONT BOX 20 GPM 1 1/2 HP 230V 3W | \$1,240.12 |
| 6630-488 | 21050K3LB | 1/2 | 230 | 25100P3LB PL SUB PUMP L/CONT BOX 20 GPM 1 HP 230V 3W | \$1,005.28 |
| 6630-489 | 21075K3LB | 1 1/2 | 230 | 25075P3LB PL SUB PUMP L/CONT BOX 20 GPM 3/4 HP 230V 3W | \$1,972.45 |
| 6630-490 | 21100K3LB | 1 | 230 | 25050P3LB PL SUB PUMP L/CONT BOX 20 GPM 1/2 HP 230V 3W | \$1,755.12 |
| 6630-491 | 21150K3LB | 3/4 | 230 | 25200M3LB PL SUB PUMP L/CONT BOX 25 GPM 2 HP 230V 3W | \$1,431.70 |
| 6630-492 | 21200K3LB | 1/2 | 230 | 25150M3LB PL SUB PUMP L/CONT BOX 25 GPM 1 1/2 HP 230V 3W | \$1,280.29 |
| 6630-493 | 21300K3LB | 2 | 230 | 25100M3LB PL SUB PUMP L/CONT BOX 25 GPM 1 HP 230V 3W | \$2,942.71 |
| 6630-494 | 21050L3ALB | 1 1/2 | 230 | 25075M3LB PL SUB PUMP L/CONT BOX 25 GPM 3/4 HP 230V 3W | \$1,974.51 |
| 6630-495 | 21050L3LB | 1 | 230 | 25050M3LB PL SUB PUMP L/CONT BOX 25 GPM 1/2 HP 230V 3W | \$1,432.73 |
| 6630-496 | 21075L3LB | 3/4 | 230 | 25050J3ALB PL SUB PUMP L/CONT BOX 5 GPM 1/2 HP 115V 3W | \$1,296.77 |
| 6630-497 | 21100L3LB | 1/2 | 230 | 25050V3ALB PL SUB PUMP L/CONT BOX 7 GPM 1/2 HP 115V 3W | \$1,095.92 |
| 6630-498 | 21150L3LB | 2 | 230 | 25050K3ALB PL SUB PUMP L/CONT BOX 10 GPM 1/2 HP 115V 3W | \$2,362.82 |
| 6630-499 | 21200L3LB | 1 1/2 | 230 | 25050L3ALB PL SUB PUMP L/CONT BOX 15 GPM 1/2 HP 115V 3W | \$1,965.24 |
| 6630-500 | 21300L3LB | 1 | 230 | 25050P3ALB PL SUB PUMP L/CONT BOX 20 GPM 1/2 HP 115V 3W | \$1,454.36 |
| 6630-501 | 21050P3ALB | 3/4 | 230 | 25050M3ALB PL SUB PUMP L/CONT BOX 25 GPM 1/2 HP 115V 3W | \$1,303.98 |
| 6630-502 | 21050P3LB | 1/2 | 230 | 22050J3LB PL SUB PUMP L/CONT BOX 5 GPM 1/2 HP 230V 3W | \$1,145.36 |
| 6630-878 | 21075P3LB | 1/2 | 115 | 22075J3LB PL SUB PUMP L/CONT BOX 5 GPM 3/4 HP 230V 3W | \$1,696.41 |
| 6630-879 | 21100P3LB | 1/2 | 115 | 22100J3LB PL SUB PUMP L/CONT BOX 5 GPM 1 HP 230V 3W | \$1,139.18 |
| 6630-880 | 21150P3LB | 1/2 | 115 | 22050V3ALB PL SUB PUMP L/CONT BOX 7 GPM 1/2 HP 115V 3W | \$1,005.28 |
| 6630-881 | 21200P3LB | 1/2 | 115 | 22050V3LB PL SUB PUMP L/CONT BOX 7 GPM 1/2 HP 230V 3W | \$1,280.29 |
| 6630-882 | 21300P3LB | 1/2 | 115 | 22075V3LB PL SUB PUMP L/CONT BOX 7 GPM 3/4 HP 230V 3W | \$1,095.92 |
| 6630-883 | 21500P3LB | 1/2 | 115 | 22100V3LB PL SUB PUMP L/CONT BOX 7 GPM 1 HP 230V 3W | \$1,145.36 |
| 6634-018 | 21500P3Y | 1/2 | 230 | 22150V3LB PL SUB PUMP L/CONT BOX 7 GPM 1 1/2 HP 230V 3W | \$1,745.85 |
| 6634-020 | 21500P3ZLS | 3/4 | 230 | 22050K3ALB PL SUB PUMP L/CONT BOX 10 GPM 1/2 HP 115V 3W | \$2,100.17 |
| 6634-022 | 21050M3ALB | 1 | 230 | 22050K3LB PL SUB PUMP L/CONT BOX 10 GPM 1/2 HP 230V 3W | \$2,331.92 |
| 6634-077 | 21050M3LB | 1/2 | 115 | 22075K3LB PL SUB PUMP L/CONT BOX 10 GPM 3/4 HP 230V 3W | \$1,717.01 |
| 6634-078 | 21075M3LB | 1/2 | 230 | 21075M3LB BR SUB PUMP L/CONT BOX 25 GPM 3/4 HP 230V 3W | \$1,717.01 |
| 6634-079 | 21100M3LB | 3/4 | 230 | 21100M3LB BR SUB PUMP L/CONT BOX 25 GPM 1 HP 230V 3W | \$2,082.66 |
| 6634-080 | 21150M3LB | 1 | 230 | 21150M3LB BR SUB PUMP L/CONT BOX 25 GPM 1 1/2 HP 230V 3W | \$2,290.72 |
| 6634-081 | 21200M3LB | 1 1/2 | 230 | 21200M3LB BR SUB PUMP L/CONT BOX 25 GPM 2 HP 230V 3W | \$2,810.87 |
| 6634-158 | 21300M3LB | 1/2 | 115 | 21300M3LB BR SUB PUMP L/CONT BOX 25 GPM 3 HP 230V 3W | \$1,454.36 |
| 6634-159 | 21500M3LB | 1/2 | 230 | 21500M3LB BR SUB PUMP L/CONT BOX 25 GPM 5 HP 230V 3W | \$1,454.36 |

Submersible Well Pumps

| Part No. | Model No. | HP | Volt | Description | Price |
|----------|-------------|-------|------|---|-------------|
| 6634-163 | 22075K3LB | 3/4 | 230 | 22075K3LB PL SUB PUMP L/CONT BOX 10 GPM 3/4 HP 230V 3W | \$1,812.80 |
| 6634-170 | 22100K3LB | 1 | 230 | 22100K3LB PL SUB PUMP L/CONT BOX 10 GPM 1 HP 230V 3W | \$2,023.95 |
| 6634-175 | 22150K3LB | 1 1/2 | 230 | 22150K3LB PL SUB PUMP L/CONT BOX 10 GPM 1 1/2 HP 230V 3W | \$2,563.67 |
| 6634-190 | 22050P3ALB | 1/2 | 115 | 22050P3ALB PL SUB PUMP L/CONT BOX 20 GPM 1/2 HP 115V 3W | \$1,608.86 |
| 6634-195 | 22050L3LB | 1/2 | 230 | 22050L3LB PL SUB PUMP L/CONT BOX 15 GPM 1/2 HP 230V 3W | \$1,745.85 |
| 6634-197 | 22050L3ALB | 1/2 | 115 | 22050L3ALB PL SUB PUMP L/CONT BOX 15 GPM 1/2 HP 115V 3W | \$1,745.85 |
| 6634-210 | 22075L3LB | 3/4 | 230 | 22075L3LB PL SUB PUMP L/CONT BOX 15 GPM 3/4 HP 230V 3W | \$2,019.83 |
| 6634-214 | 22100L3LB | 1 | 230 | 22100L3LB PL SUB PUMP L/CONT BOX 15 GPM 1 HP 230V 3W | \$2,255.70 |
| 6634-218 | 22150L3LB | 1 1/2 | 230 | 22150L3LB PL SUB PUMP L/CONT BOX 15 GPM 1 1/2 HP 230V 3W | \$2,386.51 |
| 6634-222 | 22050P3LB | 1/2 | 230 | 22050P3LB PL SUB PUMP L/CONT BOX 20 GPM 1/2 HP 230V 3W | \$1,608.86 |
| 6634-226 | 22075P3LB | 3/4 | 230 | 22075P3LB PL SUB PUMP L/CONT BOX 20 GPM 3/4 HP 230V 3W | \$1,824.13 |
| 6634-231 | 22100P3LB | 1 | 230 | 22100P3LB PL SUB PUMP L/CONT BOX 20 GPM 1 HP 230V 3W | \$1,934.34 |
| 6634-235 | 22150P3LB | 1 1/2 | 230 | 22150P3LB PL SUB PUMP L/CONT BOX 20 GPM 1 1/2 HP 230V 3W | \$2,199.05 |
| 6634-241 | 22050M3LB | 1/2 | 230 | 22050M3LB PL SUB PUMP L/CONT BOX 25 GPM 1/2 HP 230V 3W | \$1,737.61 |
| 6634-243 | 22050M3ALB | 1/2 | 115 | 22050M3ALB PL SUB PUMP L/CONT BOX 25 GPM 1/2 HP 115V 3W | \$1,737.61 |
| 6634-247 | 22075M3LB | 3/4 | 230 | 22075M3LB PL SUB PUMP L/CONT BOX 25 GPM 3/4 HP 230V 3W | \$1,894.17 |
| 6634-251 | 22100M3LB | 1 | 230 | 22100M3LB PL SUB PUMP L/CONT BOX 25 GPM 1 HP 230V 3W | \$2,046.61 |
| 6634-255 | 22150M3LB | 1 1/2 | 230 | 22150M3LB PL SUB PUMP L/CONT BOX 25 GPM 1 1/2 HP 230V 3W | \$2,371.06 |
| 6622-004 | 23150J3LB | 1 1/2 | 230 | 23150J3LB SS SUB PUMP L/CONT BOX 5 GPM 1 1/2 HP 230V 3W | \$3,282.61 |
| 6622-041 | 23050J3ALB | 1/2 | 115 | 23050J3ALB SS SUB PUMP L/CONT BOX 5 GPM 1/2 HP 115V 3W | \$2,001.29 |
| 6622-042 | 23050J3LB | 1/2 | 230 | 23050J3LB SS SUB PUMP L/CONT BOX 5 GPM 1/2 HP 230V 3W | \$2,001.29 |
| 6622-058 | 23050V3ALB | 1/2 | 115 | 23050V3ALB SS SUB PUMP L/CONT BOX 7 GPM 1/2 HP 115V 3W | \$1,711.86 |
| 6622-059 | 23050V3LB | 1/2 | 230 | 23050V3LB SS SUB PUMP L/CONT BOX 7 GPM 1/2 HP 230V 3W | \$1,711.86 |
| 6622-063 | 23075J3LB | 3/4 | 230 | 23075J3LB SS SUB PUMP L/CONT BOX 5 GPM 3/4 HP 230V 3W | \$2,537.92 |
| 6622-075 | 23075V3LB | 3/4 | 230 | 23075V3LB SS SUB PUMP L/CONT BOX 7 GPM 3/4 HP 230V 3W | \$2,308.23 |
| 6622-079 | 23100J3LB | 1 | 230 | 23100J3LB SS SUB PUMP L/CONT BOX 5 GPM 1 HP 230V 3W | \$2,910.78 |
| 6622-092 | 23100V3LB | 1 | 230 | 23100V3LB SS SUB PUMP L/CONT BOX 7 GPM 1 HP 230V 3W | \$2,622.38 |
| 6622-100 | 23150V3LB | 1 1/2 | 230 | 23150V3LB SS SUB PUMP L/CONT BOX 7 GPM 1 1/2 HP 230V 3W | \$2,989.06 |
| 6622-109 | 23200V3LB | 2 | 230 | 23200V3LB SS SUB PUMP L/CONT BOX 7 GPM 2 HP 230V 3W | \$4,180.77 |
| 6622-129 | 23200P3ZLS | 2 | 230 | 23200P3ZLS SS SUB PUMP L/STR KIT 20 GPM 2 HP 230V 3W 3P | \$3,728.60 |
| 6622-130 | 23300P3ZLS | 3 | 230 | 23300P3ZLS SS SUB PUMP L/STR KIT 20 GPM 3 HP 230V 3W 3P | \$4,915.16 |
| 6630-055 | 24100R3LB | 1 | 230 | 24100R3LB SS SUB PUMP L/CONT BOX 35 GPM 1 HP 230V 3W | \$2,930.35 |
| 6630-059 | 24150R3LB | 1 1/2 | 230 | 24150R3LB SS SUB PUMP L/CONT BOX 35 GPM 1 1/2 HP 230V 3W | \$2,706.84 |
| 6630-061 | 24150R3YLS | 1 1/2 | 460 | 24150R3YLS SS SUB PUMP L/STR KIT 35 GPM 1 1/2 HP 460V 3W 3P | \$3,216.69 |
| 6630-063 | 24150R3ZLS | 1 1/2 | 230 | 24150R3ZLS SS SUB PUMP L/STR KIT 35 GPM 1 1/2 HP 230V 3W 3P | \$3,216.69 |
| 6630-066 | 24200R3LB | 2 | 230 | 24200R3LB SS SUB PUMP L/CONT BOX 35 GPM 2 HP 230V 3W | \$3,530.84 |
| 6630-068 | 24200R3YLS | 2 | 460 | 24200R3YLS SS SUB PUMP L/STR KIT 35 GPM 2 HP 460V 3W 3P | \$3,626.63 |
| 6630-070 | 24200R3ZLS | 2 | 230 | 24200R3ZLS SS SUB PUMP L/STR KIT 35 GPM 2 HP 230V 3W 3P | \$3,624.57 |
| 6630-073 | 24300R3LB | 3 | 230 | 24300R3LB SS SUB PUMP L/CONT BOX 35 GPM 3 HP 230V 3W | \$5,014.04 |
| 6630-075 | 24300R3YLS | 3 | 460 | 24300R3YLS SS SUB PUMP L/STR KIT 35 GPM 3 HP 460V 3W 3P | \$4,739.03 |
| 6630-077 | 24300R3ZLS | 3 | 230 | 24300R3ZLS SS SUB PUMP L/STR KIT 35 GPM 3 HP 230V 3W 3P | \$4,739.03 |
| 6630-080 | 24500R3LB | 5 | 230 | 24500R3LB SS SUB PUMP L/CONT BOX 35 GPM 5 HP 230V 3W | \$6,404.54 |
| 6630-082 | 24500R3YLS | 5 | 460 | 24500R3YLS SS SUB PUMP L/STR KIT 35 GPM 5 HP 460V 3W 3P | \$6,119.23 |
| 6630-084 | 24500R3ZLS | 5 | 230 | 24500R3ZLS SS SUB PUMP L/STR KIT 35 GPM 5 HP 230V 3W 3P | \$6,119.23 |
| 6630-087 | 24750R3YLS | 7 1/2 | 460 | 24750R3YLS SS SUB PUMP L/STR KIT 35 GPM 7 1/2 HP 460V 3W 3P | \$7,438.66 |
| 6630-089 | 24750R3ZLS | 7 1/2 | 230 | 24750R3ZLS SS SUB PUMP L/STR KIT 35 GPM 7 1/2 HP 230V 3W 3P | \$7,438.66 |
| 6630-092 | 241000R3YLS | 10 | 460 | 241000R3YLS SS SUB PUMP L/STR KIT 35 GPM 10 HP 460V 3W 3P | \$14,270.65 |
| 6630-096 | 24150G3LB | 1 1/2 | 230 | 24150G3LB SS SUB PUMP L/CONT BOX 40 GPM 1 1/2 HP 230V 3W | \$3,372.22 |
| 6630-098 | 24150G3YLS | 1 1/2 | 460 | 24150G3YLS SS SUB PUMP L/STR KIT 40 GPM 1 1/2 HP 460V 3W 3P | \$3,552.47 |

Submersible Well Pumps

| Part No. | Model No. | HP | Volt | Description | Price |
|----------|------------|-------|------|---|-------------|
| 6630-100 | 24150G3ZLS | 1 1/2 | 230 | 24150G3ZLS SS SUB PUMP L/STR KIT 40 GPM 1 1/2 HP 230V 3W 3P | \$3,552.47 |
| 6630-103 | 24200G3LB | 2 | 230 | 24200G3LB SS SUB PUMP L/CONT BOX 40 GPM 2 HP 230V 3W | \$3,787.31 |
| 6630-105 | 24200G3YLS | 2 | 460 | 24200G3YLS SS SUB PUMP L/STR KIT 40 GPM 2 HP 460V 3W 3P | \$3,887.22 |
| 6630-107 | 24200G3ZLS | 2 | 230 | 24200G3ZLS SS SUB PUMP L/STR KIT 40 GPM 2 HP 230V 3W 3P | \$3,887.22 |
| 6630-110 | 24300G3LB | 3 | 230 | 24300G3LB SS SUB PUMP L/CONT BOX 40 GPM 3 HP 230V 3W | \$5,358.06 |
| 6630-112 | 24300G3YLS | 3 | 460 | 24300G3YLS SS SUB PUMP L/STR KIT 40 GPM 3 HP 460V 3W 3P | \$5,084.08 |
| 6630-114 | 24300G3ZLS | 3 | 230 | 24300G3ZLS SS SUB PUMP L/STR KIT 40 GPM 3 HP 230V 3W 3P | \$5,084.08 |
| 6630-117 | 24500G3LB | 5 | 230 | 24500G3LB SS SUB PUMP L/CONT BOX 40 GPM 5 HP 230V 3W | \$6,914.39 |
| 6630-119 | 24500G3YLS | 5 | 460 | 24500G3YLS SS SUB PUMP L/STR KIT 40 GPM 5 HP 460V 3W 3P | \$6,624.96 |
| 6630-121 | 24500G3ZLS | 5 | 230 | 24500G3ZLS SS SUB PUMP L/STR KIT 40 GPM 5 HP 230V 3W 3P | \$6,624.96 |
| 6630-124 | 24750G3YLS | 7 1/2 | 460 | 24750G3YLS SS SUB PUMP L/STR KIT 40 GPM 7 1/2 HP 460V 3W 3P | \$8,062.84 |
| 6630-126 | 24750G3ZLS | 7 1/2 | 230 | 24750G3ZLS SS SUB PUMP L/STR KIT 40 GPM 7 1/2 HP 230V 3W 3P | \$8,062.84 |
| 6630-130 | 24150Q3LB | 1 1/2 | 230 | 24150Q3LB SS SUB PUMP L/CONT BOX 60 GPM 1 1/2 HP 230V 3W | \$3,224.93 |
| 6630-132 | 24150Q3YLS | 1 1/2 | 460 | 24150Q3YLS SS SUB PUMP L/STR KIT 60 GPM 1 1/2 HP 460V 3W 3P | \$3,405.18 |
| 6630-134 | 24150Q3ZLS | 1 1/2 | 230 | 24150Q3ZLS SS SUB PUMP L/STR KIT 60 GPM 1 1/2 HP 230V 3W 3P | \$3,405.18 |
| 6630-137 | 24200Q3LB | 2 | 230 | 24200Q3LB SS SUB PUMP L/CONT BOX 60 GPM 2 HP 230V 3W | \$3,539.08 |
| 6630-139 | 24200Q3YLS | 2 | 460 | 24200Q3YLS SS SUB PUMP L/STR KIT 60 GPM 2 HP 460V 3W 3P | \$3,634.87 |
| 6630-141 | 24200Q3ZLS | 2 | 230 | 24200Q3ZLS SS SUB PUMP L/STR KIT 60 GPM 2 HP 230V 3W 3P | \$3,634.87 |
| 6630-144 | 24300Q3LB | 3 | 230 | 24300Q3LB SS SUB PUMP L/CONT BOX 60 GPM 3 HP 230V 3W | \$5,136.61 |
| 6630-146 | 24300Q3YLS | 3 | 460 | 24300Q3YLS SS SUB PUMP L/STR KIT 60 GPM 3 HP 460V 3W 3P | \$4,859.54 |
| 6630-148 | 24300Q3ZLS | 3 | 230 | 24300Q3ZLS SS SUB PUMP L/STR KIT 60 GPM 3 HP 230V 3W 3P | \$4,859.54 |
| 6630-151 | 24500Q3LB | 5 | 230 | 24500Q3LB SS SUB PUMP L/CONT BOX 60 GPM 5 HP 230V 3W | \$6,411.75 |
| 6630-153 | 24500Q3YLS | 5 | 460 | 24500Q3YLS SS SUB PUMP L/STR KIT 60 GPM 5 HP 460V 3W 3P | \$6,125.41 |
| 6630-155 | 24500Q3ZLS | 5 | 230 | 24500Q3ZLS SS SUB PUMP L/STR KIT 60 GPM 5 HP 230V 3W 3P | \$6,125.41 |
| 6630-158 | 24750Q3YLS | 7 1/2 | 460 | 24750Q3YLS SS SUB PUMP L/STR KIT 60 GPM 7 1/2 HP 460V 3W 3P | \$7,185.28 |
| 6630-160 | 24750Q3ZLS | 7 1/2 | 230 | 24750Q3ZLS SS SUB PUMP L/STR KIT 60 GPM 7 1/2 HP 230V 3W 3P | \$7,185.28 |
| 6630-163 | 24300T3LB | 3 | 230 | 24300T3LB SS SUB PUMP L/CONT BOX 80 GPM 3 HP 230V 3W | \$5,014.04 |
| 6630-165 | 24300T3YLS | 3 | 460 | 24300T3YLS SS SUB PUMP L/STR KIT 80 GPM 3 HP 460V 3W 3P | \$4,739.03 |
| 6630-167 | 24300T3ZLS | 3 | 230 | 24300T3ZLS SS SUB PUMP L/STR KIT 80 GPM 3 HP 230V 3W 3P | \$4,739.03 |
| 6630-170 | 24500T3LB | 5 | 230 | 24500T3LB SS SUB PUMP L/CONT BOX 80 GPM 5 HP 230V 3W | \$6,338.62 |
| 6630-172 | 24500T3YLS | 5 | 460 | 24500T3YLS SS SUB PUMP L/STR KIT 80 GPM 5 HP 460V 3W 3P | \$6,052.28 |
| 6630-174 | 24500T3ZLS | 5 | 230 | 24500T3ZLS SS SUB PUMP L/STR KIT 80 GPM 5 HP 230V 3W 3P | \$6,052.28 |
| 6630-177 | 24750T3YLS | 7 1/2 | 460 | 24750T3YLS SS SUB PUMP L/STR KIT 80 GPM 7 1/2 HP 460V 3W 3P | \$7,828.00 |
| 6630-179 | 24750T3ZLS | 7 1/2 | 230 | 24750T3ZLS SS SUB PUMP L/STR KIT 80 GPM 7 1/2 HP 230V 3W 3P | \$7,828.00 |
| 6630-183 | 24150S3LB | 1 1/2 | 230 | 24150S3LB SS SUB PUMP L/CONT BOX 55 GPM 1 1/2 HP 230V 3W | \$3,888.25 |
| 6630-185 | 24150S3YLS | 1 1/2 | 460 | 24150S3YLS SS SUB PUMP L/STR KIT 55 GPM 1 1/2 HP 460V 3W 3P | \$3,786.28 |
| 6630-187 | 24150S3ZLS | 1 1/2 | 230 | 24150S3ZLS SS SUB PUMP L/STR KIT 55 GPM 1 1/2 HP 230V 3W 3P | \$3,876.92 |
| 6630-190 | 24200S3LB | 2 | 230 | 24200S3LB SS SUB PUMP L/CONT BOX 55 GPM 2 HP 230V 3W | \$4,194.16 |
| 6630-192 | 24200S3YLS | 2 | 460 | 24200S3YLS SS SUB PUMP L/STR KIT 55 GPM 2 HP 460V 3W 3P | \$4,417.67 |
| 6630-194 | 24200S3ZLS | 2 | 230 | 24200S3ZLS SS SUB PUMP L/STR KIT 55 GPM 2 HP 230V 3W 3P | \$4,417.67 |
| 6630-197 | 24300S3LB | 3 | 230 | 24300S3LB SS SUB PUMP L/CONT BOX 55 GPM 3 HP 230V 3W | \$5,372.48 |
| 6630-199 | 24300S3YLS | 3 | 460 | 24300S3YLS SS SUB PUMP L/STR KIT 55 GPM 3 HP 460V 3W 3P | \$5,239.61 |
| 6630-201 | 24300S3ZLS | 3 | 230 | 24300S3ZLS SS SUB PUMP L/STR KIT 55 GPM 3 HP 230V 3W 3P | \$5,239.61 |
| 6630-204 | 24500S3LB | 5 | 230 | 24500S3LB SS SUB PUMP L/CONT BOX 55 GPM 5 HP 230V 3W | \$6,383.94 |
| 6630-206 | 24500S3YLS | 5 | 460 | 24500S3YLS SS SUB PUMP L/STR KIT 55 GPM 5 HP 460V 3W 3P | \$7,465.44 |
| 6630-208 | 24500S3ZLS | 5 | 230 | 24500S3ZLS SS SUB PUMP L/STR KIT 55 GPM 5 HP 230V 3W 3P | \$7,465.44 |
| 6630-211 | 24750S3YLS | 7 1/2 | 460 | 24750S3YLS SS SUB PUMP L/STR KIT 55 GPM 7 1/2 HP 460V 3W 3P | \$9,058.85 |
| 6630-213 | 24750S3ZLS | 7 1/2 | 230 | 24750S3ZLS SS SUB PUMP L/STR KIT 55 GPM 7 1/2 HP 230V 3W 3P | \$9,058.85 |
| 6630-216 | 24100S3YLS | 10 | 460 | 24100S3YLS SS SUB PUMP L/STR KIT 55 GPM 10 HP 460V 3W 3P | \$13,656.77 |

Submersible Well Pumps

| Part No. | Model No. | HP | Volt | Description | Price |
|----------|------------|-------|------|---|------------|
| 6630-237 | 24050J3ALB | 1/2 | 115 | 24050J3ALB SS SUB PUMP L/CONT BOX 5 GPM 1/2 HP 115V 3W | \$1,799.41 |
| 6630-238 | 24050J3LB | 1/2 | 230 | 24050J3LB SS SUB PUMP L/CONT BOX 5 GPM 1/2 HP 230V 3W | \$1,799.41 |
| 6630-242 | 24075J3LB | 3/4 | 230 | 24075J3LB SS SUB PUMP L/CONT BOX 5 GPM 3/4 HP 230V 3W | \$2,245.40 |
| 6630-246 | 24100J3LB | 1 | 230 | 24100J3LB SS SUB PUMP L/CONT BOX 5 GPM 1 HP 230V 3W | \$2,697.57 |
| 6630-250 | 24150J3LB | 1 1/2 | 230 | 24150J3LB SS SUB PUMP L/CONT BOX 5 GPM 1 1/2 HP 230V 3W | \$2,999.36 |
| 6630-252 | 24150J3ZLS | 1 1/2 | 230 | 24150J3ZLS SS SUB PUMP L/STR KIT 5 GPM 1 1/2 HP 230V 3W 3P | \$3,180.64 |
| 6630-258 | 24050V3ALB | 1/2 | 115 | 24050V3ALB SS SUB PUMP L/CONT BOX 7 GPM 1/2 HP 115V 3W | \$1,588.26 |
| 6630-259 | 24050V3LB | 1/2 | 230 | 24050V3LB SS SUB PUMP L/CONT BOX 7 GPM 1/2 HP 230V 3W | \$1,588.26 |
| 6630-263 | 24075V3LB | 3/4 | 230 | 24075V3LB SS SUB PUMP L/CONT BOX 7 GPM 3/4 HP 230V 3W | \$2,085.75 |
| 6630-267 | 24100V3LB | 1 | 230 | 24100V3LB SS SUB PUMP L/CONT BOX 7 GPM 1 HP 230V 3W | \$2,331.92 |
| 6630-271 | 24150V3LB | 1 1/2 | 230 | 24150V3LB SS SUB PUMP L/CONT BOX 7 GPM 1 1/2 HP 230V 3W | \$2,794.39 |
| 6630-274 | 24200V3LB | 2 | 230 | 24200V3LB SS SUB PUMP L/CONT BOX 7 GPM 2 HP 230V 3W | \$3,416.51 |
| 6630-280 | 24050K3ALB | 1/2 | 115 | 24050K3ALB SS SUB PUMP L/CONT BOX 10 GPM 1/2 HP 115V 3W | \$1,515.13 |
| 6630-281 | 24050K3LB | 1/2 | 230 | 24050K3LB SS SUB PUMP L/CONT BOX 10 GPM 1/2 HP 230V 3W | \$1,515.13 |
| 6630-285 | 24075K3LB | 3/4 | 230 | 24075K3LB SS SUB PUMP L/CONT BOX 10 GPM 3/4 HP 230V 3W | \$1,861.21 |
| 6630-289 | 24100K3LB | 1 | 230 | 24100K3LB SS SUB PUMP L/CONT BOX 10 GPM 1 HP 230V 3W | \$1,977.60 |
| 6630-293 | 24150K3LB | 1 1/2 | 230 | 24150K3LB SS SUB PUMP L/CONT BOX 10 GPM 1 1/2 HP 230V 3W | \$2,618.26 |
| 6630-295 | 24150K3ZLS | 1 1/2 | 230 | 24150K3ZLS SS SUB PUMP L/STR KIT 10 GPM 1 1/2 HP 230V 3W 3P | \$2,798.51 |
| 6630-298 | 24200K3LB | 2 | 230 | 24200K3LB SS SUB PUMP L/CONT BOX 10 GPM 2 HP 230V 3W | \$3,196.09 |
| 6630-300 | 24200K3ZLS | 2 | 230 | 24200K3ZLS SS SUB PUMP L/STR KIT 10 GPM 2 HP 230V 3W 3P | \$3,052.92 |
| 6630-303 | 24300K3LB | 3 | 230 | 24300K3LB SS SUB PUMP L/CONT BOX 10 GPM 3 HP 230V 3W | \$4,667.96 |
| 6630-305 | 24300K3ZLS | 3 | 230 | 24300K3ZLS SS SUB PUMP L/STR KIT 10 GPM 3 HP 230V 3W 3P | \$4,124.12 |
| 6630-309 | 24500K3ZLS | 5 | 230 | 24500K3ZLS SS SUB PUMP L/STR KIT 10 GPM 5 HP 230V 3W 3P | \$5,481.66 |
| 6630-315 | 24050L3ALB | 1/2 | 115 | 24050L3ALB SS SUB PUMP L/CONT BOX 15 GPM 1/2 HP 115V 3W | \$1,804.56 |
| 6630-316 | 24050L3LB | 1/2 | 230 | 24050L3LB SS SUB PUMP L/CONT BOX 15 GPM 1/2 HP 230V 3W | \$1,804.56 |
| 6630-320 | 24075L3LB | 3/4 | 230 | 24075L3LB SS SUB PUMP L/CONT BOX 15 GPM 3/4 HP 230V 3W | \$2,052.79 |
| 6630-324 | 24100L3LB | 1 | 230 | 24100L3LB SS SUB PUMP L/CONT BOX 15 GPM 1 HP 230V 3W | \$2,187.72 |
| 6630-328 | 24150L3LB | 1 1/2 | 230 | 24150L3LB SS SUB PUMP L/CONT BOX 15 GPM 1 1/2 HP 230V 3W | \$2,318.53 |
| 6630-331 | 24200L3LB | 2 | 230 | 24200L3LB SS SUB PUMP L/CONT BOX 15 GPM 2 HP 230V 3W | \$2,657.40 |
| 6630-333 | 24200L3ZLS | 2 | 230 | 24200L3ZLS SS SUB PUMP L/STR KIT 15 GPM 2 HP 230V 3W 3P | \$2,871.64 |
| 6630-336 | 24300L3LB | 3 | 230 | 24300L3LB SS SUB PUMP L/CONT BOX 15 GPM 3 HP 230V 3W | \$3,932.54 |
| 6630-338 | 24300L3ZLS | 3 | 230 | 24300L3ZLS SS SUB PUMP L/STR KIT 15 GPM 3 HP 230V 3W 3P | \$3,662.68 |
| 6630-341 | 24500L3LB | 5 | 230 | 24500L3LB SS SUB PUMP L/CONT BOX 15 GPM 5 HP 230V 3W | \$5,719.59 |
| 6630-343 | 24500L3ZLS | 5 | 230 | 24500L3ZLS SS SUB PUMP L/STR KIT 15 GPM 5 HP 230V 3W 3P | \$5,429.13 |
| 6630-349 | 24050P3LB | 1/2 | 230 | 24050P3LB SS SUB PUMP L/CONT BOX 20 GPM 1/2 HP 230V 3W | \$1,781.90 |
| 6630-350 | 24050P3ALB | 1/2 | 115 | 24050P3ALB SS SUB PUMP L/CONT BOX 20 GPM 1/2 HP 115V 3W | \$1,781.90 |
| 6630-354 | 24075P3LB | 3/4 | 230 | 24075P3LB SS SUB PUMP L/CONT BOX 20 GPM 3/4 HP 230V 3W | \$2,090.90 |
| 6630-358 | 24100P3LB | 1 | 230 | 24100P3LB SS SUB PUMP L/CONT BOX 20 GPM 1 HP 230V 3W | \$2,167.12 |
| 6630-362 | 24150P3LB | 1 1/2 | 230 | 24150P3LB SS SUB PUMP L/CONT BOX 20 GPM 1 1/2 HP 230V 3W | \$2,344.28 |
| 6630-364 | 24150P3ZLS | 1 1/2 | 230 | 24150P3ZLS SS SUB PUMP L/STR KIT 20 GPM 1 1/2 HP 230V 3W 3P | \$2,524.53 |
| 6630-367 | 24200P3LB | 2 | 230 | 24200P3LB SS SUB PUMP L/CONT BOX 20 GPM 2 HP 230V 3W | \$2,969.49 |
| 6630-369 | 24200P3ZLS | 2 | 230 | 24200P3ZLS SS SUB PUMP L/STR KIT 20 GPM 2 HP 230V 3W 3P | \$3,065.28 |
| 6630-372 | 24300P3LB | 3 | 230 | 24300P3LB SS SUB PUMP L/CONT BOX 20 GPM 3 HP 230V 3W | \$4,303.34 |
| 6630-374 | 24300P3ZLS | 3 | 230 | 24300P3ZLS SS SUB PUMP L/STR KIT 20 GPM 3 HP 230V 3W 3P | \$4,028.33 |
| 6630-377 | 24500P3LB | 5 | 230 | 24500P3LB SS SUB PUMP L/CONT BOX 20 GPM 5 HP 230V 3W | \$5,269.48 |
| 6630-378 | 24500P3Y | 5 | 460 | 24500P3Y SS SUB PUMP W/STR KIT 20 GPM 5 HP 460V 3W 3P | \$6,768.13 |
| 6630-379 | 24500P3YLS | 5 | 460 | 24500P3YLS SS SUB PUMP L/STR KIT 20 GPM 5 HP 460V 3W 3P | \$5,737.10 |
| 6630-381 | 24500P3ZLS | 5 | 230 | 24500P3ZLS SS SUB PUMP L/STR KIT 20 GPM 5 HP 230V 3W 3P | \$4,981.08 |
| 6630-385 | 24100M3LB | 1 | 230 | 24100M3LB SS SUB PUMP L/CONT BOX 25 GPM 1 HP 230V 3W | \$2,032.19 |

Submersible Well Pumps

| Part No. | Model No. | HP | Volt | Description | Price |
|----------|------------|-------|------|---|-------------|
| 6630-389 | 24150M3LB | 1 1/2 | 230 | 24150M3LB SS SUB PUMP L/CONT BOX 25 GPM 1 1/2 HP 230V 3W | \$2,432.86 |
| 6630-391 | 24150M3ZLS | 1 1/2 | 230 | 24150M3ZLS SS SUB PUMP L/STR KIT 25 GPM 1 1/2 HP 230V 3W 3P | \$2,612.08 |
| 6630-394 | 24200M3LB | 2 | 230 | 24200M3LB SS SUB PUMP L/CONT BOX 25 GPM 2 HP 230V 3W | \$2,836.62 |
| 6630-396 | 24200M3ZLS | 2 | 230 | 24200M3ZLS SS SUB PUMP L/STR KIT 25 GPM 2 HP 230V 3W 3P | \$2,929.32 |
| 6630-399 | 24300M3LB | 3 | 230 | 24300M3LB SS SUB PUMP L/CONT BOX 25 GPM 3 HP 230V 3W | \$4,200.34 |
| 6630-401 | 24300M3ZLS | 3 | 230 | 24300M3ZLS SS SUB PUMP L/STR KIT 25 GPM 3 HP 230V 3W 3P | \$3,922.24 |
| 6630-404 | 24500M3LB | 5 | 230 | 24500M3LB SS SUB PUMP L/CONT BOX 25 GPM 5 HP 230V 3W | \$5,090.26 |
| 6630-405 | 24500M3Y | 5 | 460 | 24500M3Y SS SUB PUMP W/STR KIT 25 GPM 5 HP 460V 3W 3P | \$5,830.83 |
| 6630-406 | 24500M3YLS | 5 | 460 | 24500M3YLS SS SUB PUMP L/STR KIT 25 GPM 5 HP 460V 3W 3P | \$4,801.86 |
| 6630-408 | 24500M3ZLS | 5 | 230 | 24500M3ZLS SS SUB PUMP L/STR KIT 25 GPM 5 HP 230V 3W 3P | \$4,801.86 |
| 6630-412 | 24500K3LB | 5 | 230 | 24500K3LB SS SUB PUMP L/CONT BOX 10 GPM 5 HP 230V 3W | \$5,770.06 |
| 6636-045 | 26050J3LB | 1/2 | 230 | 26050J3LB SS SUB PUMP L/CONT BOX 5 GPM 1/2 HP 230V 3W | \$1,710.83 |
| 6636-047 | 26050J3ALB | 1/2 | 115 | 26050J3ALB SS SUB PUMP L/CONT BOX 5 GPM 1/2 HP 115V 3W | \$1,710.83 |
| 6636-049 | 26075J3LB | 3/4 | 230 | 26075J3LB SS SUB PUMP L/CONT BOX 5 GPM 3/4 HP 230V 3W | \$2,188.75 |
| 6636-051 | 26100J3LB | 1 | 230 | 26100J3LB SS SUB PUMP L/CONT BOX 5 GPM 1 HP 230V 3W | \$2,631.65 |
| 6636-053 | 26150J3LB | 1 1/2 | 230 | 26150J3LB SS SUB PUMP L/CONT BOX 5 GPM 1 1/2 HP 230V 3W | \$3,281.58 |
| 6636-055 | 26200J3LB | 2 | 230 | 26200J3LB SS SUB PUMP L/CONT BOX 5 GPM 2 HP 230V 3W | \$5,380.72 |
| 6636-062 | 26050K3LB | 1/2 | 230 | 26050K3LB SS SUB PUMP L/CONT BOX 10 GPM 1/2 HP 230V 3W | \$1,356.51 |
| 6636-064 | 26050K3ALB | 1/2 | 115 | 26050K3ALB SS SUB PUMP L/CONT BOX 10 GPM 1/2 HP 115V 3W | \$1,356.51 |
| 6636-066 | 26075K3LB | 3/4 | 230 | 26075K3LB SS SUB PUMP L/CONT BOX 10 GPM 3/4 HP 230V 3W | \$1,855.03 |
| 6636-068 | 26100K3LB | 1 | 230 | 26100K3LB SS SUB PUMP L/CONT BOX 10 GPM 1 HP 230V 3W | \$2,112.53 |
| 6636-070 | 26150K3LB | 1 1/2 | 230 | 26150K3LB SS SUB PUMP L/CONT BOX 10 GPM 1 1/2 HP 230V 3W | \$2,722.29 |
| 6636-072 | 26200K3LB | 2 | 230 | 26200K3LB SS SUB PUMP L/CONT BOX 10 GPM 2 HP 230V 3W | \$2,842.80 |
| 6636-074 | 26300K3LB | 3 | 230 | 26300K3LB SS SUB PUMP L/CONT BOX 10 GPM 3 HP 230V 3W | \$4,577.32 |
| 6636-081 | 26050P3LB | 1/2 | 230 | 26050P3LB SS SUB PUMP L/CONT BOX 18 GPM 1/2 HP 230V 3W | \$1,455.39 |
| 6636-083 | 26050P3ALB | 1/2 | 115 | 26050P3ALB SS SUB PUMP L/CONT BOX 18 GPM 1/2 HP 115V 3W | \$1,455.39 |
| 6636-085 | 26075P3LB | 3/4 | 230 | 26075P3LB SS SUB PUMP L/CONT BOX 18 GPM 3/4 HP 230V 3W | \$1,842.67 |
| 6636-087 | 26100P3LB | 1 | 230 | 26100P3LB SS SUB PUMP L/CONT BOX 18 GPM 1 HP 230V 3W | \$2,004.38 |
| 6636-089 | 26150P3LB | 1 1/2 | 230 | 26150P3LB SS SUB PUMP L/CONT BOX 18 GPM 1 1/2 HP 230V 3W | \$2,337.07 |
| 6636-091 | 26200P3LB | 2 | 230 | 26200P3LB SS SUB PUMP L/CONT BOX 18 GPM 2 HP 230V 3W | \$2,637.83 |
| 6636-093 | 26300P3LB | 3 | 230 | 26300P3LB SS SUB PUMP L/CONT BOX 18 GPM 3 HP 230V 3W | \$3,597.79 |
| 6636-095 | 26500P3LB | 5 | 230 | 26500P3LB SS SUB PUMP L/CONT BOX 18 GPM 5 HP 230V 3W | \$4,930.61 |
| 6636-102 | 26050M3LB | 1/2 | 230 | 26050M3LB SS SUB PUMP L/CONT BOX 25 GPM 1/2 HP 230V 3W | \$1,601.65 |
| 6636-104 | 26050M3ALB | 1/2 | 115 | 26050M3ALB SS SUB PUMP L/CONT BOX 25 GPM 1/2 HP 115V 3W | \$1,601.65 |
| 6636-106 | 26075M3LB | 3/4 | 230 | 26075M3LB SS SUB PUMP L/CONT BOX 25 GPM 3/4 HP 230V 3W | \$1,891.08 |
| 6636-108 | 26100M3LB | 1 | 230 | 26100M3LB SS SUB PUMP L/CONT BOX 25 GPM 1 HP 230V 3W | \$2,101.20 |
| 6636-110 | 26150M3LB | 1 1/2 | 230 | 26150M3LB SS SUB PUMP L/CONT BOX 25 GPM 1 1/2 HP 230V 3W | \$2,504.96 |
| 6636-112 | 26200M3LB | 2 | 230 | 26200M3LB SS SUB PUMP L/CONT BOX 25 GPM 2 HP 230V 3W | \$2,622.38 |
| 6636-114 | 26300M3LB | 3 | 230 | 26300M3LB SS SUB PUMP L/CONT BOX 25 GPM 3 HP 230V 3W | \$3,490.67 |
| 6636-116 | 26500M3LB | 5 | 230 | 26500M3LB SS SUB PUMP L/CONT BOX 25 GPM 5 HP 230V 3W | \$4,548.48 |
| 6636-117 | 26750M3Z | 7 1/2 | 230 | 26750M3Z SS SUB PUMP W/STR KIT 25 GPM 7 1/2 HP 230V 3W 3P | \$11,814.10 |
| 6636-118 | 26750M3ZLB | 7 1/2 | 230 | 26750M3ZLB SS SUB PUMP L/STR KIT 25 GPM 7 1/2 HP 230V 3W 3P | \$10,784.10 |
| 6636-122 | 26100G3LB | 1 | 230 | 26100G3LB SS SUB PUMP L/CONT BOX 40 GPM 1 HP 230V 3W | \$2,279.39 |
| 6636-124 | 26150G3LB | 1 1/2 | 230 | 26150G3LB SS SUB PUMP L/CONT BOX 40 GPM 1 1/2 HP 230V 3W | \$2,549.25 |
| 6636-126 | 26200G3LB | 2 | 230 | 26200G3LB SS SUB PUMP L/CONT BOX 40 GPM 2 HP 230V 3W | \$2,942.71 |
| 6636-128 | 26300G3LB | 3 | 230 | 26300G3LB SS SUB PUMP L/CONT BOX 40 GPM 3 HP 230V 3W | \$3,456.68 |
| 6636-130 | 26500G3LB | 5 | 230 | 26500G3LB SS SUB PUMP L/CONT BOX 40 GPM 5 HP 230V 3W | \$4,751.39 |
| 6636-131 | 26750G3Z | 7 1/2 | 230 | 26750G3Z SS SUB PUMP W/STR KIT 40 GPM 7 1/2 HP 230V 3W 3P | \$12,361.03 |
| 6636-132 | 26750G3ZLB | 7 1/2 | 230 | 26750G3ZLB SS SUB PUMP L/STR KIT 40 GPM 7 1/2 HP 230V 3W 3P | \$11,331.03 |

Submersible Well Pumps

| Part No. | Model No. | HP | Volt | Description | Price |
|----------|-------------|-------|------|--|-------------|
| 6636-133 | 261000G3Y | 10 | 460 | 261000G3Y SS SUB PUMP W/STR KIT 40 GPM 10 HP 460V 3W 3P | \$20,788.49 |
| 6636-134 | 261000G3YLB | 10 | 460 | 261000G3YLB SS SUB PUMP L/STR KIT 40 GPM 10 HP 460V 3W 3P | \$19,759.52 |
| 6636-136 | 26200H3LB | 2 | 230 | 26200H3LB SS SUB PUMP L/CONT BOX 70 GPM 2 HP 230V 3W | \$2,589.42 |
| 6636-138 | 26300H3LB | 3 | 230 | 26300H3LB SS SUB PUMP L/CONT BOX 70 GPM 3 HP 230V 3W | \$3,680.19 |
| 6636-140 | 26500H3LB | 5 | 230 | 26500H3LB SS SUB PUMP L/CONT BOX 70 GPM 5 HP 230V 3W | \$4,920.31 |
| 6636-141 | 26750H3Z | 7 1/2 | 230 | 26750H3Z SS SUB PUMP W/STR KIT 70 GPM 7 1/2 HP 230V 3W 3P | \$11,010.70 |
| 6636-142 | 26750H3ZLB | 7 1/2 | 230 | 26750H3ZLB SS SUB PUMP L/STR KIT 70 GPM 7 1/2 HP 230V 3W 3P | \$9,982.76 |
| 6636-143 | 261000H3Y | 10 | 460 | 261000H3Y SS SUB PUMP W/STR KIT 70 GPM 10 HP 460V 3W 3P | \$20,627.81 |
| 6636-144 | 261000H3YLB | 10 | 460 | 261000H3YLB SS SUB PUMP L/STR KIT 70 GPM 10 HP 460V 3W 3P | \$19,597.81 |
| 6636-146 | 26150K | 1 1/2 | | 26150K X316 SS SUB PUMP END ONLY 10 GPM 1 1/2 HP ALL 316 STAINLESS | \$3,144.59 |
| 6636-147 | 26200K | 2 | | 26200K X316 SS SUB PUMP END ONLY 10 GPM 2 HP ALL 316 STAINLESS | \$3,387.67 |
| 6636-148 | 26300K | 3 | | 26300K X316 SS SUB PUMP END ONLY 10 GPM 3 HP ALL 316 STAINLESS | \$5,331.28 |
| 6636-149 | 26150P | 1 1/2 | | 26150P X316 SS SUB PUMP END ONLY 18 GPM 1 1/2 HP ALL 316 STAINLESS | \$2,235.10 |
| 6636-150 | 26200P | 2 | | 26200P X316 SS SUB PUMP END ONLY 18 GPM 2 HP ALL 316 STAINLESS | \$3,022.02 |
| 6636-151 | 26300P | 3 | | 26300P X316 SS SUB PUMP END ONLY 18 GPM 3 HP ALL 316 STAINLESS | \$3,553.50 |
| 6636-152 | 26500P | 5 | | 26500P X316 SS SUB PUMP END ONLY 18 GPM 5 HP ALL 316 STAINLESS | \$5,668.09 |
| 6636-153 | 26150M | 1 1/2 | | 26150M X316 SS SUB PUMP END ONLY 25 GPM 1 1/2 HP 316 ALL STAINLESS | \$2,566.76 |
| 6636-154 | 26200M | 2 | | 26200M X316 SS SUB PUMP END ONLY 25 GPM 2 HP ALL 316 STAINLESS | \$2,978.76 |
| 6636-155 | 26300M | 3 | | 26300M X316 SS SUB PUMP END ONLY 25 GPM 3 HP ALL 316 STAINLESS | \$3,420.63 |
| 6636-156 | 26500M | 5 | | 26500M X316 SS SUB PUMP END ONLY 25 GPM 5 HP ALL 316 STAINLESS | \$4,998.59 |
| 6636-157 | 26150G | 1 1/2 | | 26150G X316 SS SUB PUMP END ONLY 40 GPM 1 1/2 HP ALL 316 STAINLESS | \$2,638.86 |
| 6636-158 | 26200G | 2 | | 26200G X316 SS SUB PUMP END ONLY 40 GPM 2 HP ALL 316 STAINLESS | \$2,977.73 |
| 6636-159 | 26300G | 3 | | 26300G X316 SS SUB PUMP END ONLY 40 GPM 3 HP ALL 316 STAINLESS | \$3,537.02 |
| 6636-160 | 26500G | 5 | | 26500G X316 SS SUB PUMP END ONLY 40 GPM 5 HP ALL 316 STAINLESS | \$7,045.20 |
| 6636-161 | 26200H | 2 | | 26200H X316 SS SUB PUMP END ONLY 70 GPM 2 HP ALL 316 STAINLESS | \$2,935.50 |
| 6636-162 | 26300H | 3 | | 26300H X316 SS SUB PUMP END ONLY 70 GPM 3 HP ALL 316 STAINLESS | \$3,788.34 |
| 6636-163 | 26500H | 5 | | 26500H X316 SS SUB PUMP END ONLY 70 GPM 5 HP ALL 316 STAINLESS | \$7,680.71 |
| 6637-022 | 23150M3ZLS | 1 1/2 | 230 | 23150M3ZLS SS SUB PUMP L/STR KIT 25 GPM 1 1/2 HP 230V 3W 3P | \$3,083.82 |
| 6637-024 | 23200M3ZLS | 2 | 230 | 23200M3ZLS SS SUB PUMP L/STR KIT 25 GPM 2 HP 230V 3W 3P | \$3,530.84 |
| 6637-026 | 23300M3ZLS | 3 | 230 | 23300M3ZLS SS SUB PUMP L/STR KIT 25 GPM 3 HP 230V 3W 3P | \$5,232.40 |
| 6639-032 | 23150M3YLS | 1 1/2 | 460 | 23150M3YLS SS SUB PUMP L/STR KIT 25 GPM 1 1/2 HP 460V 3W 3P | \$3,083.82 |
| 6639-034 | 23200M3YLS | 2 | 460 | 23200M3YLS SS SUB PUMP L/STR KIT 25 GPM 2 HP 460V 3W 3P | \$3,530.84 |
| 6639-036 | 23300M3YLS | 3 | 460 | 23300M3YLS SS SUB PUMP L/STR KIT 25 GPM 3 HP 460V 3W 3P | \$5,232.40 |
| 6639-038 | 23500M3YLS | 5 | 460 | 23500M3YLS SS SUB PUMP L/STR KIT 25 GPM 5 HP 460V 3W 3P | \$6,632.17 |
| 6650-044 | 23050K3ALB | 1/2 | 115 | 23050K3ALB SS SUB PUMP L/CONT BOX 10 GPM 1/2 HP 115V 3W | \$1,589.29 |
| 6650-045 | 23050K3LB | 1/2 | 230 | 23050K3LB SS SUB PUMP L/CONT BOX 10 GPM 1/2 HP 230V 3W | \$1,589.29 |
| 6650-049 | 23075K3LB | 3/4 | 230 | 23075K3LB SS SUB PUMP L/CONT BOX 10 GPM 3/4 HP 230V 3W | \$1,977.60 |
| 6650-053 | 23100K3LB | 1 | 230 | 23100K3LB SS SUB PUMP L/CONT BOX 10 GPM 1 HP 230V 3W | \$2,105.32 |
| 6650-057 | 23150K3LB | 1 1/2 | 230 | 23150K3LB SS SUB PUMP L/CONT BOX 10 GPM 1 1/2 HP 230V 3W | \$2,830.44 |
| 6650-060 | 23200K3LB | 2 | 230 | 23200K3LB SS SUB PUMP L/CONT BOX 10 GPM 2 HP 230V 3W | \$3,864.56 |
| 6650-063 | 23300K3LB | 3 | 230 | 23300K3LB SS SUB PUMP L/CONT BOX 10 GPM 3 HP 230V 3W | \$5,612.47 |
| 6650-176 | 23050L3ALB | 1/2 | 115 | 23050L3ALB SS SUB PUMP L/CONT BOX 15 GPM 1/2 HP 115V 3W | \$2,048.67 |
| 6650-177 | 23050L3LB | 1/2 | 230 | 23050L3LB SS SUB PUMP L/CONT BOX 15 GPM 1/2 HP 230V 3W | \$2,048.67 |
| 6650-181 | 23075L3LB | 3/4 | 230 | 23075L3LB SS SUB PUMP L/CONT BOX 15 GPM 3/4 HP 230V 3W | \$2,323.68 |
| 6650-185 | 23100L3LB | 1 | 230 | 23100L3LB SS SUB PUMP L/CONT BOX 15 GPM 1 HP 230V 3W | \$2,447.28 |
| 6650-189 | 23150L3LB | 1 1/2 | 230 | 23150L3LB SS SUB PUMP L/CONT BOX 15 GPM 1 1/2 HP 230V 3W | \$2,671.82 |
| 6650-192 | 23200L3LB | 2 | 230 | 23200L3LB SS SUB PUMP L/CONT BOX 15 GPM 2 HP 230V 3W | \$2,978.76 |
| 6650-195 | 23300L3LB | 3 | 230 | 23300L3LB SS SUB PUMP L/CONT BOX 15 GPM 3 HP 230V 3W | \$4,465.05 |
| 6650-202 | 23050P3ALB | 1/2 | 115 | 23050P3ALB SS SUB PUMP L/CONT BOX 20 GPM 1/2 HP 115V 3W | \$2,065.15 |

Submersible Well Pumps

| Part No. | Model No. | HP | Volt | Description | Price |
|----------|------------|-------|------|---|------------|
| 6650-203 | 23050P3LB | 1/2 | 230 | 23050P3LB SS SUB PUMP L/CONT BOX 20 GPM 1/2 HP 230V 3W | \$2,429.77 |
| 6650-207 | 23075P3LB | 3/4 | 230 | 23075P3LB SS SUB PUMP L/CONT BOX 20 GPM 3/4 HP 230V 3W | \$2,255.70 |
| 6650-211 | 23100P3LB | 1 | 230 | 23100P3LB SS SUB PUMP L/CONT BOX 20 GPM 1 HP 230V 3W | \$2,344.28 |
| 6650-215 | 23150P3LB | 1 1/2 | 230 | 23150P3LB SS SUB PUMP L/CONT BOX 20 GPM 1 1/2 HP 230V 3W | \$2,516.29 |
| 6650-218 | 23200P3LB | 2 | 230 | 23200P3LB SS SUB PUMP L/CONT BOX 20 GPM 2 HP 230V 3W | \$3,550.41 |
| 6650-221 | 23300P3LB | 3 | 230 | 23300P3LB SS SUB PUMP L/CONT BOX 20 GPM 3 HP 230V 3W | \$5,087.17 |
| 6650-224 | 23500P3LB | 5 | 230 | 23500P3LB SS SUB PUMP L/CONT BOX 20 GPM 5 HP 230V 3W | \$6,232.53 |
| 6650-227 | 23500P3ZLS | 5 | 230 | 23500P3ZLS SS SUB PUMP L/STR KIT 20 GPM 5 HP 230V 3W 3P | \$6,888.64 |
| 6650-233 | 23050M3ALB | 1/2 | 115 | 23050M3ALB SS SUB PUMP L/CONT BOX 25 GPM 1/2 HP 115V 3W | \$1,782.93 |
| 6650-234 | 23050M3LB | 1/2 | 230 | 23050M3LB SS SUB PUMP L/CONT BOX 25 GPM 1/2 HP 230V 3W | \$1,782.93 |
| 6650-238 | 23075M3LB | 3/4 | 230 | 23075M3LB SS SUB PUMP L/CONT BOX 25 GPM 3/4 HP 230V 3W | \$2,115.62 |
| 6650-242 | 23100M3LB | 1 | 230 | 23100M3LB SS SUB PUMP L/CONT BOX 25 GPM 1 HP 230V 3W | \$2,175.36 |
| 6650-246 | 23150M3LB | 1 1/2 | 230 | 23150M3LB SS SUB PUMP L/CONT BOX 25 GPM 1 1/2 HP 230V 3W | \$2,785.12 |
| 6650-249 | 23200M3LB | 2 | 230 | 23200M3LB SS SUB PUMP L/CONT BOX 25 GPM 2 HP 230V 3W | \$3,346.47 |
| 6650-252 | 23300M3LB | 3 | 230 | 23300M3LB SS SUB PUMP L/CONT BOX 25 GPM 3 HP 230V 3W | \$4,936.79 |
| 6650-255 | 23500M3LB | 5 | 230 | 23500M3LB SS SUB PUMP L/CONT BOX 25 GPM 5 HP 230V 3W | \$5,975.03 |
| 6650-258 | 23500M3ZLS | 5 | 230 | 23500M3ZLS SS SUB PUMP L/STR KIT 25 GPM 5 HP 230V 3W 3P | \$6,632.17 |
| 6650-277 | 23150J3ZLS | 1 1/2 | 230 | 23150J3ZLS SS SUB PUMP L/STR KIT 5 GPM 1 1/2 HP 230V 3W 3P | \$3,691.52 |
| 6650-278 | 23150K3ZLS | 1 1/2 | 230 | 23150K3ZLS SS SUB PUMP L/STR KIT 10 GPM 1 1/2 HP 230V 3W 3P | \$3,353.68 |
| 6650-279 | 23200K3ZLS | 2 | 230 | 23200K3ZLS SS SUB PUMP L/STR KIT 10 GPM 2 HP 230V 3W 3P | \$4,043.78 |
| 6650-280 | 23300K3ZLS | 3 | 230 | 23300K3ZLS SS SUB PUMP L/STR KIT 10 GPM 3 HP 230V 3W 3P | \$5,432.22 |
| 6650-281 | 23500K3ZLS | 5 | 230 | 23500K3ZLS SS SUB PUMP L/STR KIT 10 GPM 5 HP 230V 3W 3P | \$7,595.22 |
| 6650-295 | 23200L3ZLS | 2 | 230 | 23200L3ZLS SS SUB PUMP L/STR KIT 15 GPM 2 HP 230V 3W 3P | \$3,279.52 |
| 6650-296 | 23300L3ZLS | 3 | 230 | 23300L3ZLS SS SUB PUMP L/STR KIT 15 GPM 3 HP 230V 3W 3P | \$4,393.98 |
| 6650-297 | 23500L3ZLS | 5 | 230 | 23500L3ZLS SS SUB PUMP L/STR KIT 15 GPM 5 HP 230V 3W 3P | \$7,524.15 |
| 6650-298 | 23150P3ZLS | 1 1/2 | 230 | 23150P3ZLS SS SUB PUMP L/STR KIT 20 GPM 1 1/2 HP 230V 3W 3P | \$2,965.37 |
| 6650-306 | 23500L3LB | 5 | 230 | 23500L3LB SS SUB PUMP L/CONT BOX 15 GPM 5 HP 230V 3W | \$5,938.98 |
| 6650-308 | 23500K3LB | 5 | 230 | 23500K3LB SS SUB PUMP LESS CONT BOX 10 GPM 5 HP 230V 3W | \$6,940.14 |



BAKER[®]

WATER SYSTEMS - EST 1873



Pumps by Baker

800.356.5130 | bakerwatersystems.com
Orders, Questions, Quote Requests: E-Mail: bws@baker-mfg.com

! WARNING: It is unlawful in CALIFORNIA & VERMONT (effective 1/1/2010); MARYLAND (effective 1/1/2012); LOUISIANA (effective 1/1/2013) and the UNITED STATES OF AMERICA (effective 1/4/2014) to use any product in the installation or repair of any public water system or any plumbing in a facility or system that provides water for human consumption if the wetted surface area of the product has a weighted average lead content greater than 0.25%. This prohibition does not extend to service saddles used in California, Louisiana or under USA Public Law 111-380. **!** WARNING: This product can expose you to chemicals including lead, which is known to the State of CALIFORNIA to cause cancer and birth defects or other reproductive harm. For more information go to: WWW.P65Warnings.ca.gov.