



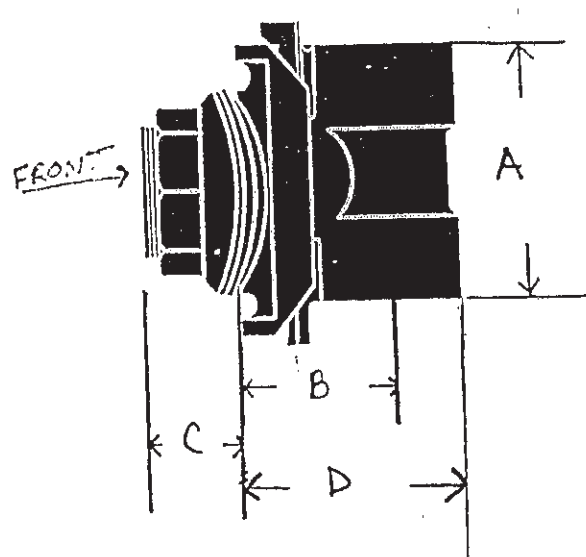
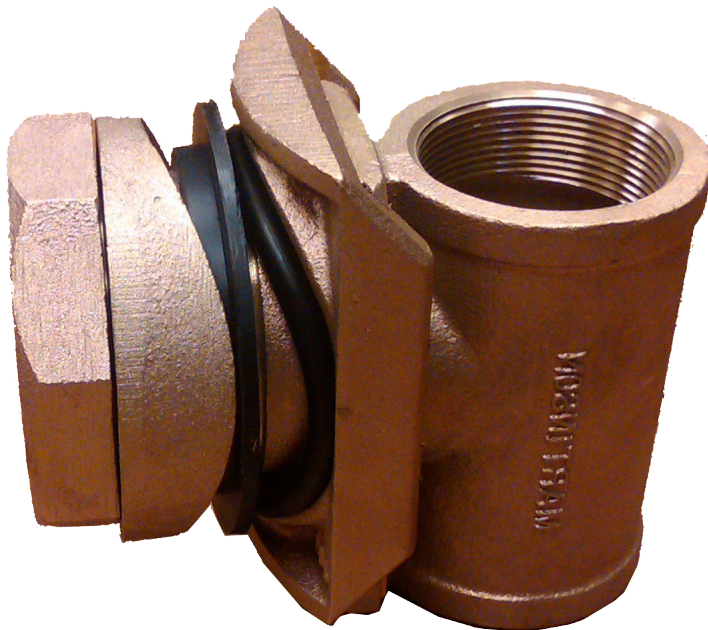
Quality, Service & Solutions

SP-70 Pitless Adapter

<u>Drop Pipe</u>	<u>casing o.d.</u>	<u>will support</u>	<u>replacement pressure seal</u>
2"	6 5/8" to 7"	700	OR-28T

Nominal Dimensions based on average O-Ring Compression

A	B	C	D
<u>Removable Half Height</u>	<u>Inner O-Ring to Drop Pipe Centerline</u>	<u>Inner O-Ring to end of nipple</u>	<u>Overall width of removable half</u>
5.063"	2.813"	1.750"	3.80"



For more information contact Sales at:

Campbell Mfg, LLC
 127 East Spring Street
 Bechtelsville, PA 19505-0207
 Phone: 800-523-0224
 Fax: 610-369-3580
 E-mail: moreinfo@campbellmfg.com

Baker Mfg. Co., LLC
 133 Enterprise Street
 Evansville, WI 53536
 Phone: 800-356-5130
 Fax: 608-882-3777
 E-mail: monitor@baker-mfg.com