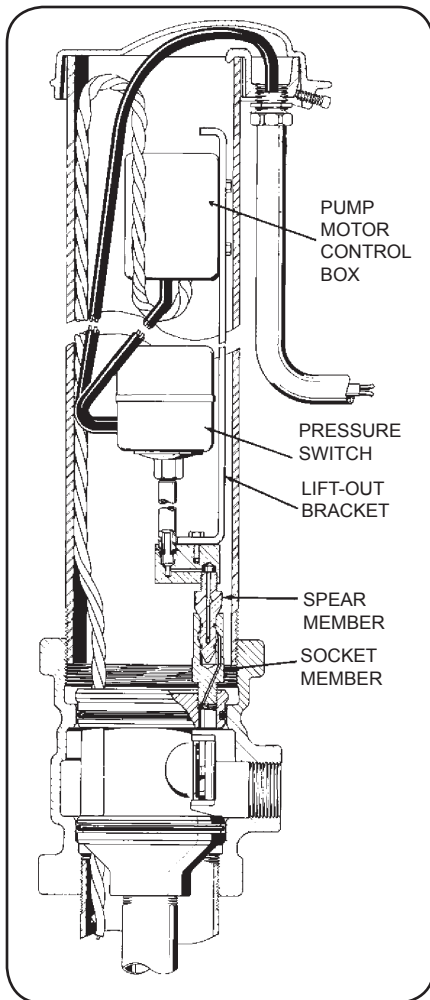




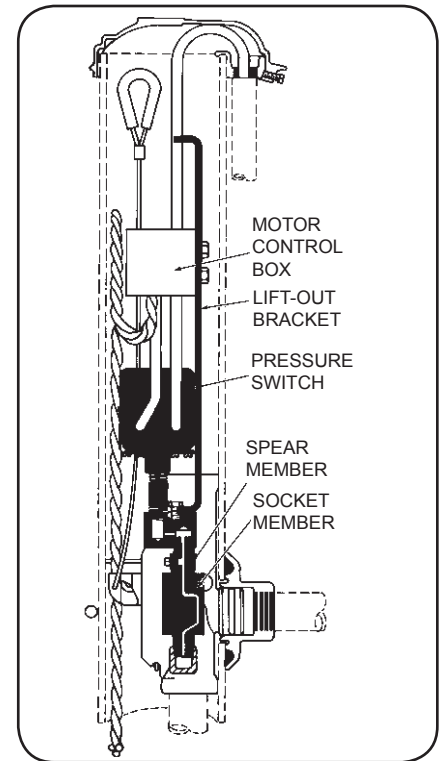
THE AT-THE-WELL CONCEPT

The “AT-THE-WELL” concept of Pitless Unit installation locates all of the equipment normally used in an automatic water system at the well head. This type of installation has many advantages:

- **CONVENIENT** . . . Usually the pump motor control, pressure switch and pressure tank are located inside a building. Many times a convenient location cannot be found for this equipment. By using a Monitor At-The-Well Control System and a buried pressure tank, the whole system can be installed at the well site.
- **LOWER INSTALLATION COST.** . . . The minimum amount of wire and piping are required with an “AT-THE-WELL” installation.
- **EASY SERVICE** . . . Pump control box, pressure switch and other equipment are located at the well and are easily accessible for service. This equipment is located inside the upper pitless case and protected from damage, freezing, and extreme temperature variations.



Typical PS Installation



Typical Snappy Installation

MONITOR® AT-THE-WELL CONTROLS FOR SNAPPY PITLESS ADAPTERS AND PS PITLESS UNIT

1. The socket member of a conduit coupling is permanently screwed into the drop pipe fitting of the pitless adapter and the spool of the pitless unit.
2. A control assembly is made up with the motor control box, pressure switch and spearmember of the conduit coupling; and
3. The control assembly is lowered into the well casing until the spear enters and bottoms in the socket forming both a fluid-tight conduit from drop pipe to pressure switch and a support for the control assembly.

Since the conduit coupling is not subject to separation by system pressure, no fastener is used to hold down the control assembly. Hence the control assembly may be simply lifted out for servicing without pulling the pump or electrically disconnecting either the pressure switch or the control box.

WARNING:

With Gaseous Wells, a Nonexplosive Pressure Switch must be used.